



# INSTRUCTIONS

-J02908

2007-08-30

## SPORTSTER LOW REAR SUSPENSION KIT

### GENERAL

#### Kit Number

54733-04

#### Models

For model fitment information, please see the P&A Retail Catalog or the Parts and Accessories section of [www.harley-davidson.com](http://www.harley-davidson.com) (English only).

#### Additional Parts Required

Spanner wrench (94700-52L) is available for separate purchase and is required for shock preload adjustment.

#### ⚠ WARNING

Rider and passenger safety depend upon the correct installation of this kit. Use the appropriate service manual procedures. If the procedure is not within your capabilities or you do not have the correct tools, have a Harley-Davidson dealer perform the installation. Improper installation of this kit could result in death or serious injury. (00333b)

#### NOTE

This instruction sheet references Service Manual information. A Service Manual for your model motorcycle is required for this installation and is available from a Harley-Davidson Dealer.

### Kit Contents

See Figure 1 and Table 1.

### INSTALLATION

#### NOTE

Internal shock absorber components are not repairable beyond the Service Parts listed on this instruction sheet. Consult your Harley-Davidson dealer if further service is required.

The installation procedures for this kit are the same as the original equipment (OE) installation procedures in the Service Manual. Refer to the appropriate Service Manual for the rear suspension system removal and installation procedures. The OE hardware will be re-used in the kit installation.

#### ⚠ WARNING

Installation of any accessory suspension components can affect cornering clearance. This could distract the rider, causing loss of control and death or serious injury. (00431b)

### Shock Preload (Spring) Adjustment

Refer to the appropriate Service Manual for spring adjustment. Spanner wrench (94700-52L) is required for spring adjustment.

### SERVICE PARTS

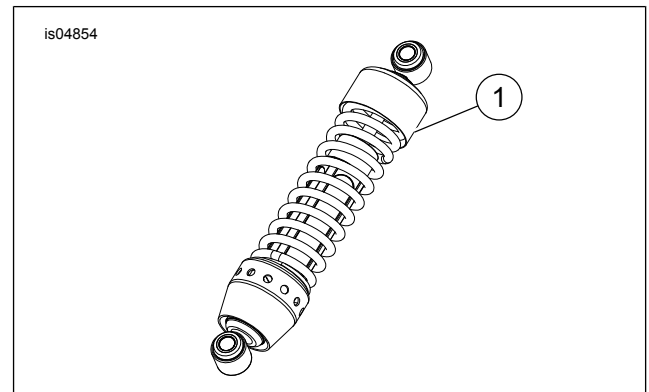


Figure 1. Service Parts: Sportster Low Rear Suspension Kit

Table 1. Service Parts: Sportster Low Rear Suspension Kit

Item	Description (Quantity)	Part Number
1	Rear shock (2)	54734-04