



INSTRUCTIONS

-J01210

REV. 6-26-03

Kit Number 34939-98

SPORTSTER CHROME SPROCKET COVER KIT

General

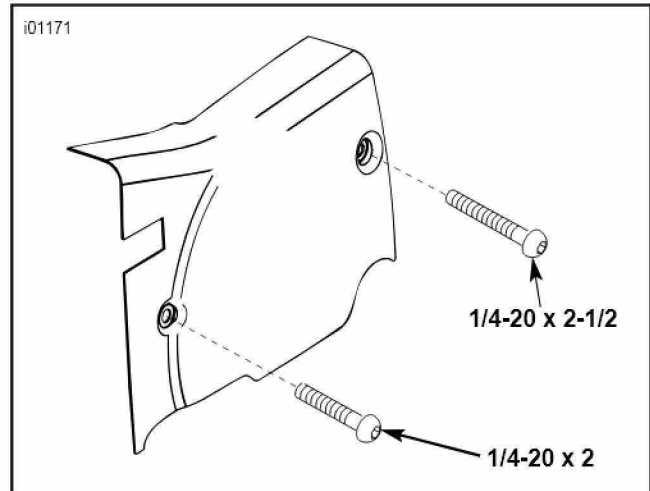
This kit is designed for installation on 1996 to 2003 XL (Sportster®) models.

Kit contents:

Qty	Description
1	Sprocket cover
1	1/4-20 x 2 inch long screw
1	1/4-20 x 2-1/2 inch long screw

Installation

1. Remove the two screws that hold the rear master cylinder in place on the existing sprocket cover.
2. Remove heat shield from rear exhaust pipe.
3. Remove rear muffler mounting screw from muffler support.
4. Loosen rear exhaust pipe from cylinder head exhaust studs. Note: It is not necessary to entirely remove rear exhaust pipe and muffler from motorcycle.
5. Remove rear brake line P-clamp from the existing sprocket cover.
6. Remove the two upper screws from the existing sprocket cover (see illustration). Do not remove the existing cover.
7. Place the chrome sprocket cover over the existing sprocket cover and install the two buttonhead screws from kit (see illustration). Tighten buttonhead screws to 90-110 in-lbs (10.2-12.4 Nm).
8. Reinstall rear muffler to muffler support. Do not tighten yet.
9. Tighten nuts at cylinder head exhaust studs to 6-8 ft-lbs (8-11 Nm). Tighten nut at muffler support to 10-15 ft-lbs (14-20 Nm).
10. Reinstall rear master cylinder mounting screws and tighten to 155-190 **in-lbs** (17.5-21.5 Nm). Reattach rear brake line clamp.
11. Reinstall heat shield to rear exhaust pipe.



Chrome Sprocket Cover