



# INSTRUCTIONS

-J00504

2009-06-15

## XL LEATHER FENDER YOKE KITS FOR SLANT-STYLE SADDLEBAGS

### GENERAL

#### Kit Numbers

91016-91A, 91125-04A

#### Models

For model fitment information, see the P&A Retail Catalog or the Parts and Accessories section of [www.harley-davidson.com](http://www.harley-davidson.com) (English only).

The kits do not fit with Flat Lens Turn Signals, Rear Axle Covers, Bobtail Fenders, and Detachable Sideplates on 2004 and later XL models.

#### Additional Parts Required

All kits require separate purchase of Slant Style Leather Saddlebags part 91010-91A. Most kits require separate purchase of appropriate Saddlebag Supports and/or Directional Relocation kits. See catalog for additional information.

#### ⚠ WARNING

Rider and passenger safety depend upon the correct installation of this kit. Use the appropriate service manual procedures. If the procedure is not within your capabilities or you do not have the correct tools, have a Harley-Davidson dealer perform the installation. Improper installation of this kit could result in death or serious injury. (00333b)

#### NOTE

Directional Relocation kit and/or Saddlebag Support kit must be installed prior to Yoke or Saddlebag installation.

This instruction sheet references owner's manual information. A owner's manual for your model motorcycle is required for this installation and is available from a Harley-Davidson Dealer.

#### Kit Contents

See Figure 7 and Table 1.

### INSTALLATION

#### Install Yoke

1. Remove seat according to owner's manual. Leave grabstrap installed.
2. See Figure 1 or Figure 2. Position the yoke with the "arrow" facing up and forward (toward front of motorcycle).
3. Install seat according to owner's manual.

#### NOTE

- **Kit 91125-04A only:** Check that yoke does not contact ECM or Security System Module.
- **Kit 91016-91A only:** Check that yoke is centered on fender and front edge of hole in the yoke is touching the passenger grabstrap.

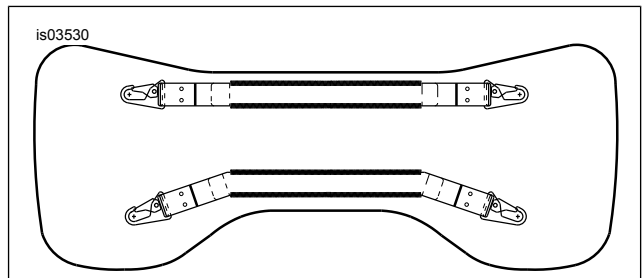


Figure 1. Yoke Positioned for Installation (2004 and later XL)

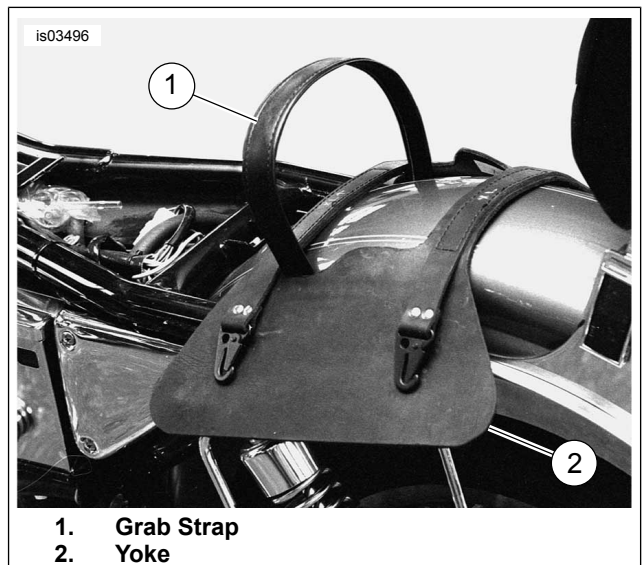


Figure 2. Yoke Positioned on Rear Fender (1982 through 2003 XL)

#### Install Saddlebags

#### ⚠ WARNING

After installing seat, pull upward on seat to be sure it is locked in position. While riding, a loose seat can shift causing loss of control, which could result in death or serious injury. (00070b)

-J00504

Many Harley-Davidson® Parts & Accessories are made of plastics and metals which can be recycled. Please dispose of materials responsibly.

1 / 3

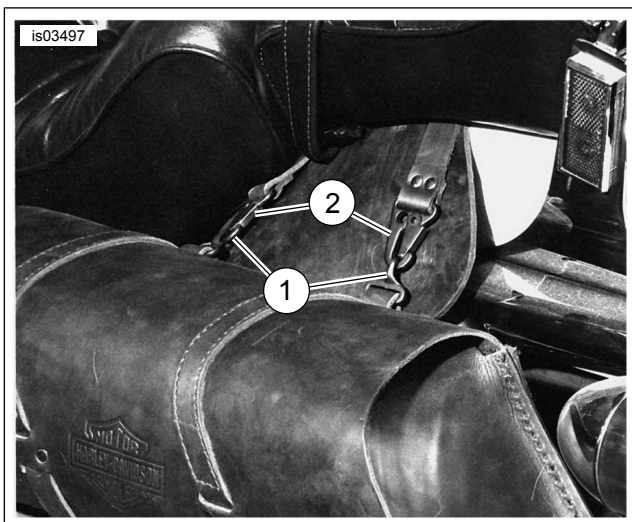


Figure 3. Saddlebag Attached to Yoke

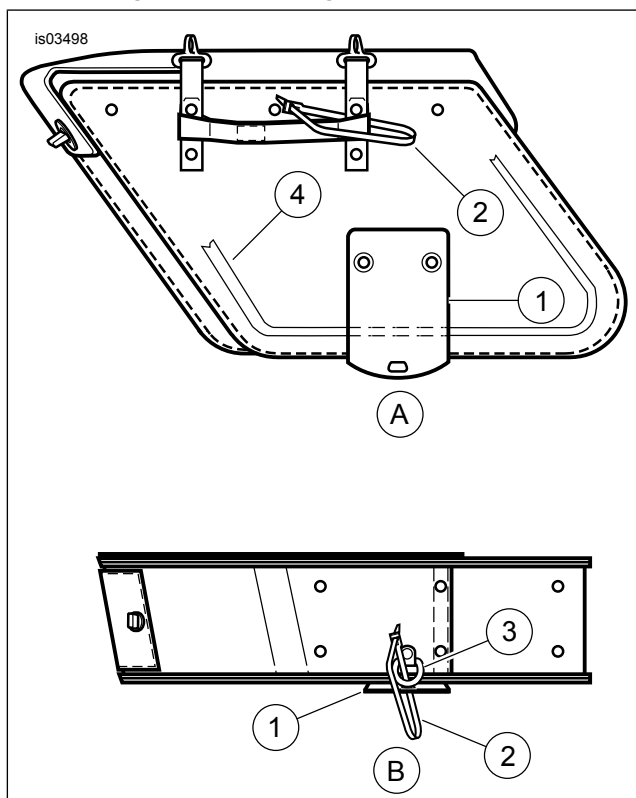


Figure 4. Saddlebag Views

1. See Figure 3. Attach rings (1) on saddlebag to hooks (2) on yoke.
2. See Figure 4, rear view. Position the plastic strip (1) behind the saddlebag support (4). The saddlebag support (4) should be positioned between the inner wall of the saddlebag and the plastic strip.
3. See Figure 4, bottom view. Thread reusable cable strap (2) through hole in plastic strip (1) and D-ring (3).
4. See Figure 4, rear view. Tighten reusable cable strap (2) to saddlebag support (4).
5. Repeat Steps 1 through 4 to install other saddlebag.

## Install Reflectors

### ⚠ WARNING

Federal Motor Vehicle Safety Standard (FMVSS) 108 requires motorcycles to be equipped with rear and side reflectors. Be sure rear and side reflectors are properly mounted. Poor visibility of rider to other motorists can result in death or serious injury. (00336b)

#### For Kit 91016-91A

1. See Figure 5. Center round reflector supplied in kit in the lower rear corner of the saddlebag, and mark hole location.
2. Punch hole in saddlebag, and mount reflector as shown in Figure 5.
3. Repeat Steps 1 through 2 to mount reflector on other saddlebag.

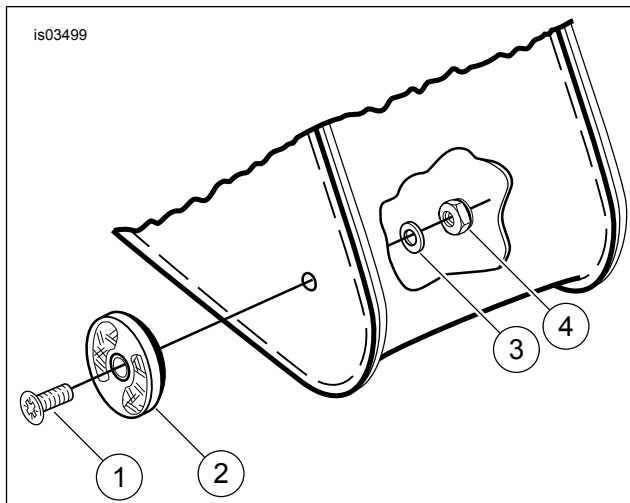
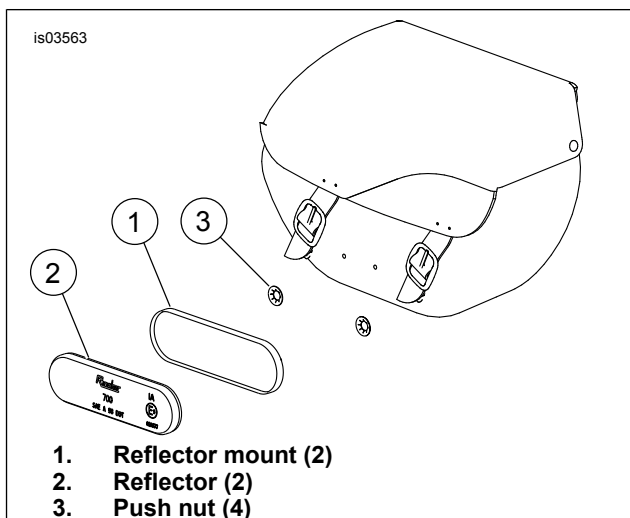


Figure 5. Mounting Reflector

#### For Kit 91125-04A

1. See Figure 6. Position reflector mount (1) in center of saddlebag.
2. Mark holes on saddlebag with pen (or other appropriate tool).



1. Reflector mount (2)
2. Reflector (2)
3. Push nut (4)

Figure 6. Install Reflectors

3. Using soapy water or isopropyl alcohol, clean the surface of the reflector mount (1) where reflector will be installed.
4. Allow the surface to dry completely before continuing.

5. Remove adhesive from back of reflector (2) and install on reflector mount. Apply pressure to reflector for at least one minute.
6. Using appropriate tool, make two 3/16 in. holes in saddlebag.
7. Install reflector mount (1) on saddlebag using two push nuts (3).
8. Let the adhesive cure for at least 24 hours at no less than 60°F (16°C).
9. Repeat Steps 1 through 8 to mount reflector on other saddlebag.

## SERVICE PARTS

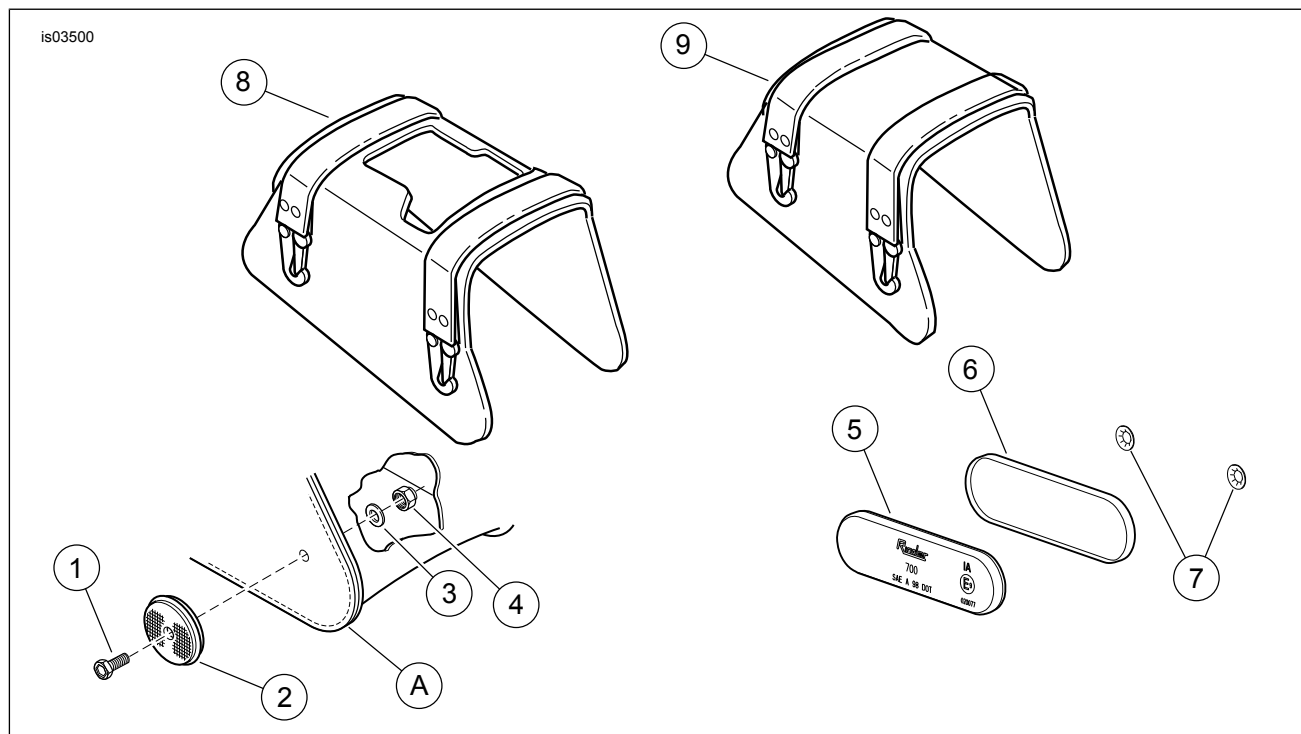


Figure 7. Service Parts: XL Leather Fender Yoke Kits

Table 1. Service Parts Table

Kit	Item	Description (Quantity)	Part Number
Kit 91016-91A	1	Screw, 10-32 x 1/4-inch (2)	2587
	2	Reflector, round red (2)	59264-86
	3	Washer, 1/2-inch (2)	6716
	4	Nut, hex lock (2)	7626W
	8	Yoke, Saddlebag, leather	91016-91A
Kit 91125-04A	5	Reflector (2)	59270-10
	6	Reflector mount (2)	Not Sold Separately
	7	Push nut (4)	8126A
	9	Yoke, Saddlebag, leather	91125-04A
<b>Items mentioned, but not included in kits.</b>			
	A	Saddlebag	Sold Separately
<b>Service Kits:</b>			
		Reflector kit (includes items 5, 6, and 7)	59480-04A