



INSTRUCTIONS

SEE BELOW

REV. 8-94

BACKREST KIT

General

This Instruction Sheet applies to the following Part Numbers for the corresponding applications:

- 52176-87 - 1987 FXLR
- 52188-95 - 1984 and later Softails
- 52544-84 - 1982 and Later XLH, XLS, and XLX
- 52545-84 - 1982 and Later FXR, FXRS and FXRT
- 52532-90 - 1990 and Later FLSTF
- 52535-93 - 1993 FLSTN
- 52535-94 - 1994 FLSTN
- 52582-95 - 1995 BAD BOY
- 52598-95 - 1995 FLSTN

These kits are designed for use on medallion-type low upright sissy bars having plates with center hole, as shown in Figure 1.

These kits contain the following components:

QTY	DESCRIPTION
1	Backrest
1	Bracket
1	Screw, center hole
2	Screw, bracket

NOTE

Service parts needed to maintain these kits are listed on Page 2.

Installation

1. With your hand, feel through the backrest material to locate mounting holes.

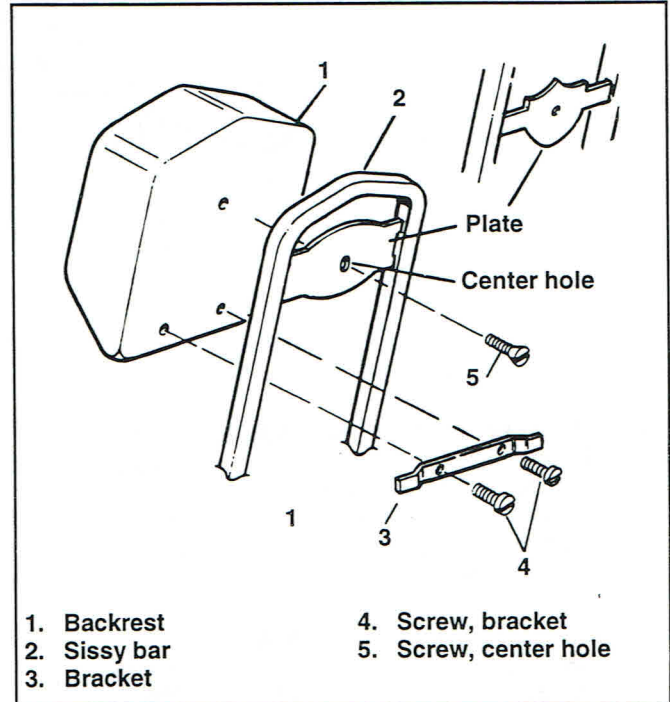


Figure 1. Backrest Assembly

2. Carefully cut holes in material at mounting locations. Cut only enough material away for screw to enter backrest.
3. See Figure 1. Secure backrest (1) to sissy bar (2) using bracket (3) and screws (4).
4. Install screw (5) through center hole into backrest (1).
5. Tighten all screws securely. Do not overtighten.

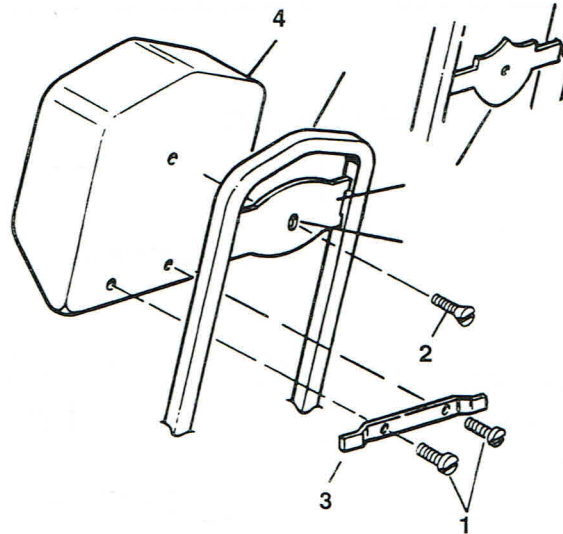


Service Parts

Part No. See below.

Date 8/94

Backrest Kits



Kit Part No. 52176-87, 52188-95, 52545-84

Item	Description	Part No.
1	Screw, 1/4-20 X 5/16 pan hd.	1000
2	Screw, 1/4-20 X 3/4 flat hd.	1602
3	Bracket, back rest	52771-82

Kit Part No. 52535-94

Item	Description	Part No.
1	Screw, 1/4-20 X 1 pan hd.	2538
2	Screw, 1/4-20 X1 flat hd.	1617
3	Bracket, back rest	52771-82
4	Backrest	52182-94

Kit Part No. 52544-84

Item	Description	Part No.
1	Screw, 1/4-20 X 5/16 pan hd.	1000
2	Screw, 1/4-20 X 3/4 flat hd.	1602
3	Bracket, back rest	52771-82
4	Backrest	52494-82

Kit Part No. 52582-95

Item	Description	Part No.
1	Screw, 1/4-20 X 1 pan hd.	1000
2	Screw, 1/4-20 X1 flat hd.	1602
3	Bracket, back rest	52771-82
4	Backrest	52601-95

Kit Part No. 52532-90

Item	Description	Part No.
1	Screw, 1/4-20 X 1 pan hd.	2538
2	Screw, 1/4-20 X1 flat hd.	1617
3	Bracket, back rest	52771-82
4	Backrest	52172-90

Kit Part No. 52535-93, 52598-95

Item	Description	Part No.
1	Screw, 1/4-20 X 1 pan hd.	2538
2	Screw, 1/4-20 X1 flat hd.	1617
3	Bracket, back rest	52771-82