

PART NUMBER

27160-66B
27162-66C
ORIG. 3/71

INSTRUCTIONS

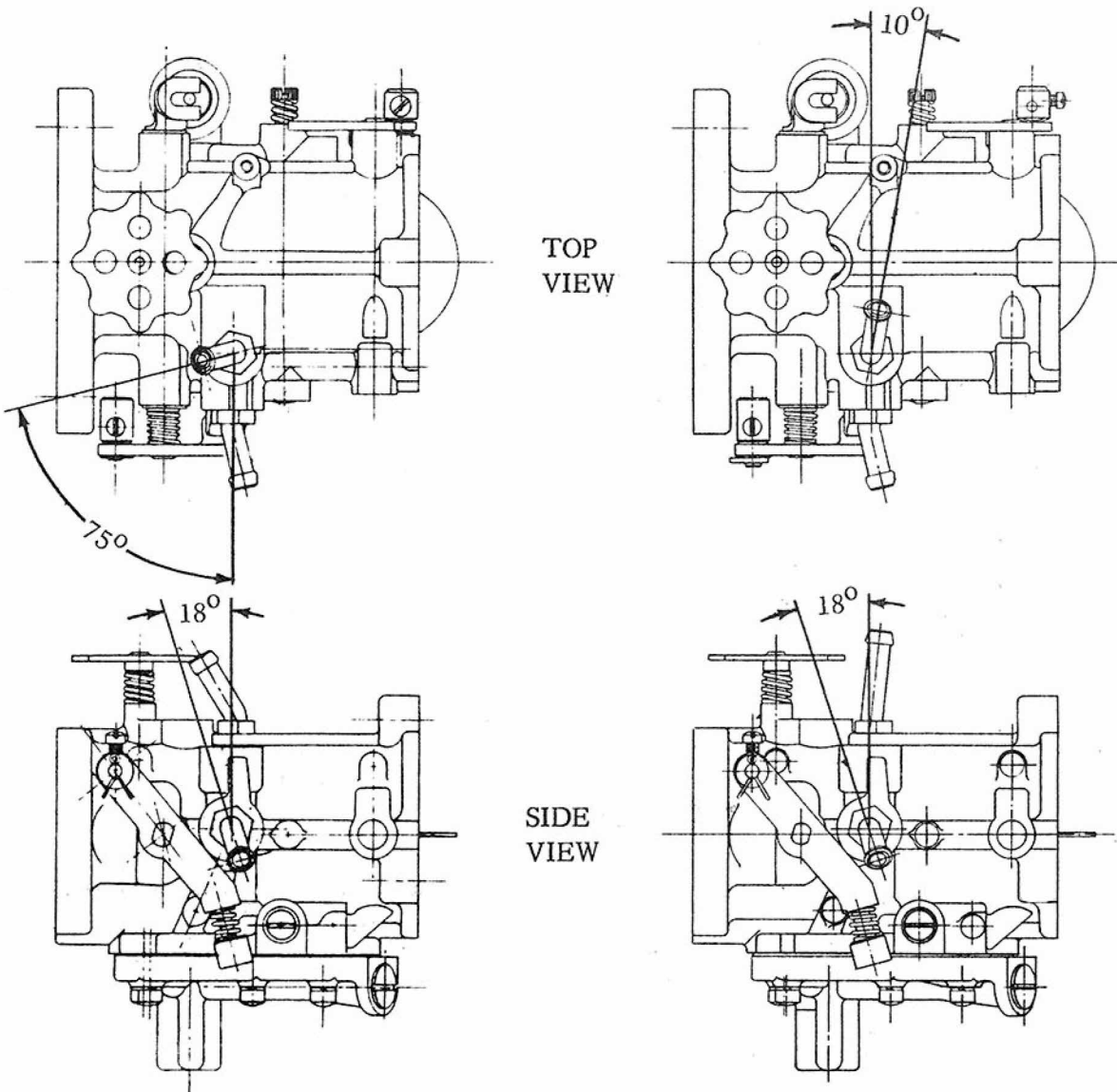
HARLEY-DAVIDSON

**GENUINE PARTS
AND ACCESSORIES**

CARBURETOR

This carburetor includes inlet fittings which must be assembled to carburetor as shown below.

Assembly should be made as shown to prevent inlet fitting from interfering with throttle lever operation. Correct fitting location will also allow smooth bends in the fuel lines to insure adequate fuel supply to engine.



TOP
VIEW

SIDE
VIEW

ELECTRA GLIDE
CARBURETOR

SPORTSTER
CARBURETOR