



# INSTRUCTIONS

J06797

2019-08-22

## BLACK XL CAM COVER KIT

Table 1. General Information

Kits	Suggested Tools	Skill Level <sup>(1)</sup>	Time
12600262	Safety Glasses, Torque Wrench		1 h

(1) Tightening to torque value or other moderate tools and techniques required

### KIT CONTENTS

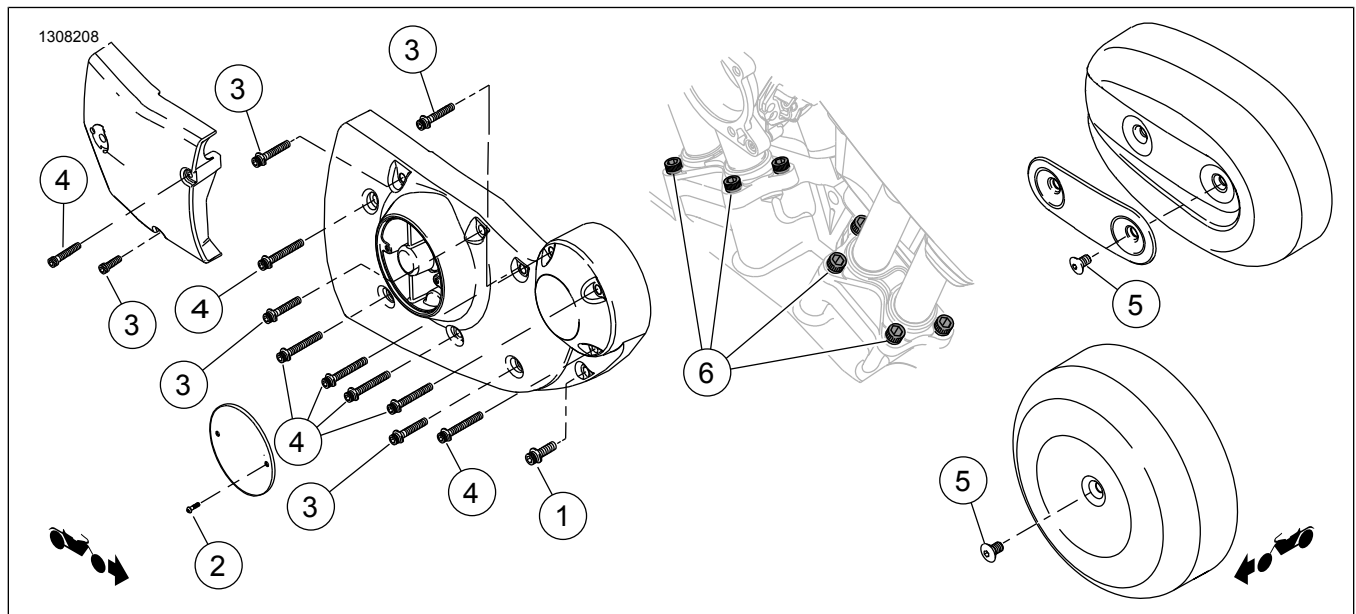


Figure 1. Kit Contents: XL Cam Cover Components

Table 2. Kit Contents: XL Cam Cover Components

<input checked="" type="checkbox"/>	Item	Qty	Description	Part No.	Replace	Notes
<input type="checkbox"/>	1	1	Screw	10200952	4740A	Follow torque specification and installation sequence per service manual
<input type="checkbox"/>	2	2	Screw	10200953	68120-00	Follow torque specification and installation sequence per service manual
<input type="checkbox"/>	3	5	Screw	10200982	3480A	Follow torque specification and installation sequence per service manual
<input type="checkbox"/>	4	7	Screw	10200983	4717A	Follow torque specification and installation sequence per service manual
<input type="checkbox"/>	5	2	Screw	10300984	2460	XL models w/ round center bolt air cleaner (1) Follow torque specification and installation sequence per service manual
<input type="checkbox"/>	6	8	Screw	10200947	4741A	Follow torque specification and installation sequence per service manual

#### NOTE

Verify all contents are present in the kit before installing or removing items from vehicle.

## GENERAL

### Models

For model fitment information, please see the P&A Retail Catalog or the Parts and Accessories section of [www.harley-davidson.com](http://www.harley-davidson.com) (English only).

Ensure you are using the most current version of the instruction sheet which is available at: [www.harley-davidson.com/isheets](http://www.harley-davidson.com/isheets)

Contact Harley-Davidson Customer Support Center at 1-800-258-2464 (U.S. only) or 1-414-343-4056.

### Installation Requirements

#### ⚠ WARNING

**Rider and passenger safety depend upon the correct installation of this kit. Use the appropriate service manual procedures. If the procedure is not within your capabilities or you do not have the correct tools, have a Harley-Davidson dealer perform the installation. Improper installation of this kit could result in death or serious injury. (00333b)**

### INSTALLATION

Remove and Replace

#### NOTE

- *See the service manual of the year and model vehicle that the service is being performed on for the following steps.*
- *Follow torque specification and installation sequence per service manual for screws.*
- *Remove and replace each screw one at a time to maintain initial clamp load.*
- *Texture black touch-up pen (98605BF) or bottle (98600BF) can be used for coverage of imperfection on engine covers.*

1. Fully remove one OE (Original Equipment) screw.
2. Install **new** black screw.
3. Tighten screw. See service manual.
4. Repeat steps for remaining screws. Replace screws individually following torque sequence per service manual.