



# INSTRUCTIONS

J06635

2018-09-24

## THROW-OVER SADDLEBAG KIT

### GENERAL

#### Kit Number

90201769, 90201770

#### Models

For model fitment information, see the P&A retail catalog or the Parts and Accessories section of [www.harley-davidson.com](http://www.harley-davidson.com) (English only).

#### Installation Requirements

##### ⚠ WARNING

Rider and passenger safety depend upon the correct installation of this kit. If the procedure is not within your capabilities or you do not have the correct tools, have a Harley-Davidson dealer perform the installation. Improper installation of this kit could result in death or serious injury. (00308b)

##### ⚠ WARNING

Do not exceed saddlebag weight capacity. Put equal weight in each bag. Too much weight in saddlebags can cause loss of control, which could result in death or serious injury. (00383a)

Separate purchase of Throw-over Saddlebag Support Rail Kit 90201777, 91017-10A, 90799-94D, 90201324, 91790-84C or 90201433.

##### NOTE

**Kit 90201769** maximum capacity 2.7 kg (6 lb) per side.

**Kit 90201770** maximum capacity 4.5 kg (10 lb) per side.

#### Kit Contents

See Figure 4 and Table 1

#### INSTALLATION

##### NOTE

To avoid paint scuffing, apply anti-abrasion tape to top of rear fender.

1. Refer to Figure 1. Cut anti-abrasion tape into two pieces, trim to width of rear fender and apply.

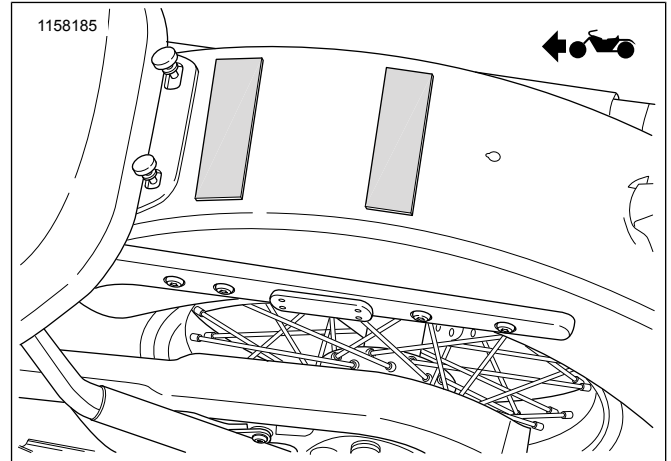


Figure 1. Anti-abrasion Tape Placement

2. Refer to Figure 2. Attach minimum three hook-and-loops to back of saddlebag.

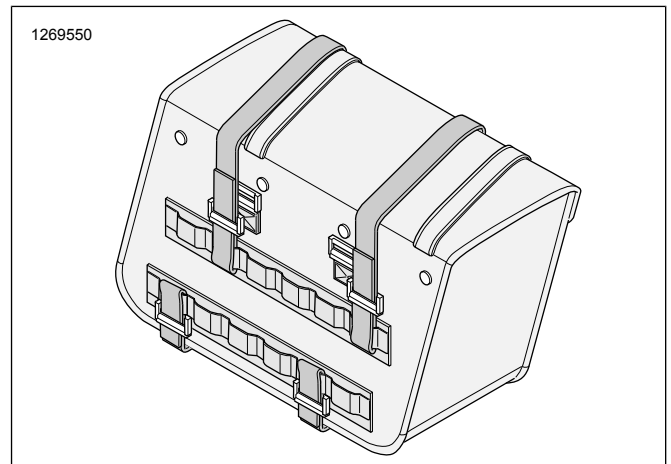
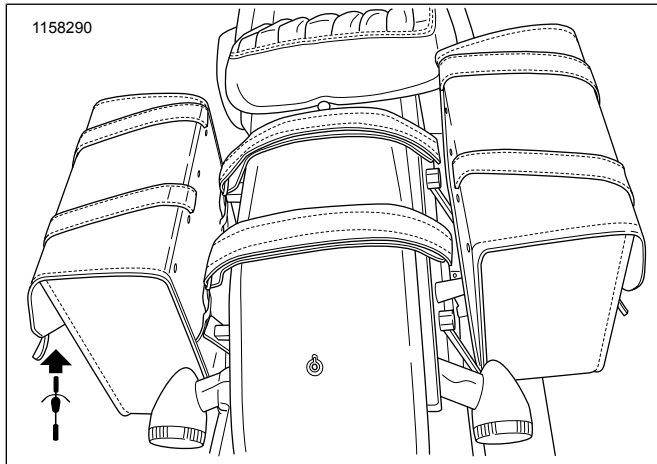


Figure 2. Attach Hook-and-Loop (Typical)

3. First attach bottom hook-and-loop on saddlebag to bottom of support rail on right side of vehicle.
4. Make sure hook-and-loop is tightly secured.
5. Trim excess hook-and-loop.
6. Secure remaining two hook-and-loops on bag, one to each side of support rail.
7. Make sure hook-and-loop is tightly secured.

8. Trim excess hook-and-loops.
9. Repeat Steps 2 through 8 on left side of vehicle.
10. Refer to Figure 3. Lay support yokes, already attached to right side saddlebag, across fender on anti-abrasion tape and attach to left side saddlebag.



**Figure 3. Support Yoke Placement**

11. Tighten support yokes.

**NOTE**

*Verify that there is sufficient clearance between saddlebag and exhaust.*

12. Make sure support yokes are tightly secured.
13. Trim excess support yoke.
14. Attach reflectors (4) to saddlebags if bags cover vehicle reflectors.
  - a. Remove adhesive backing from reflectors.
  - b. Adhere reflectors directly to outer bag surface.

**CARE INSTRUCTIONS**

**NOTICE**

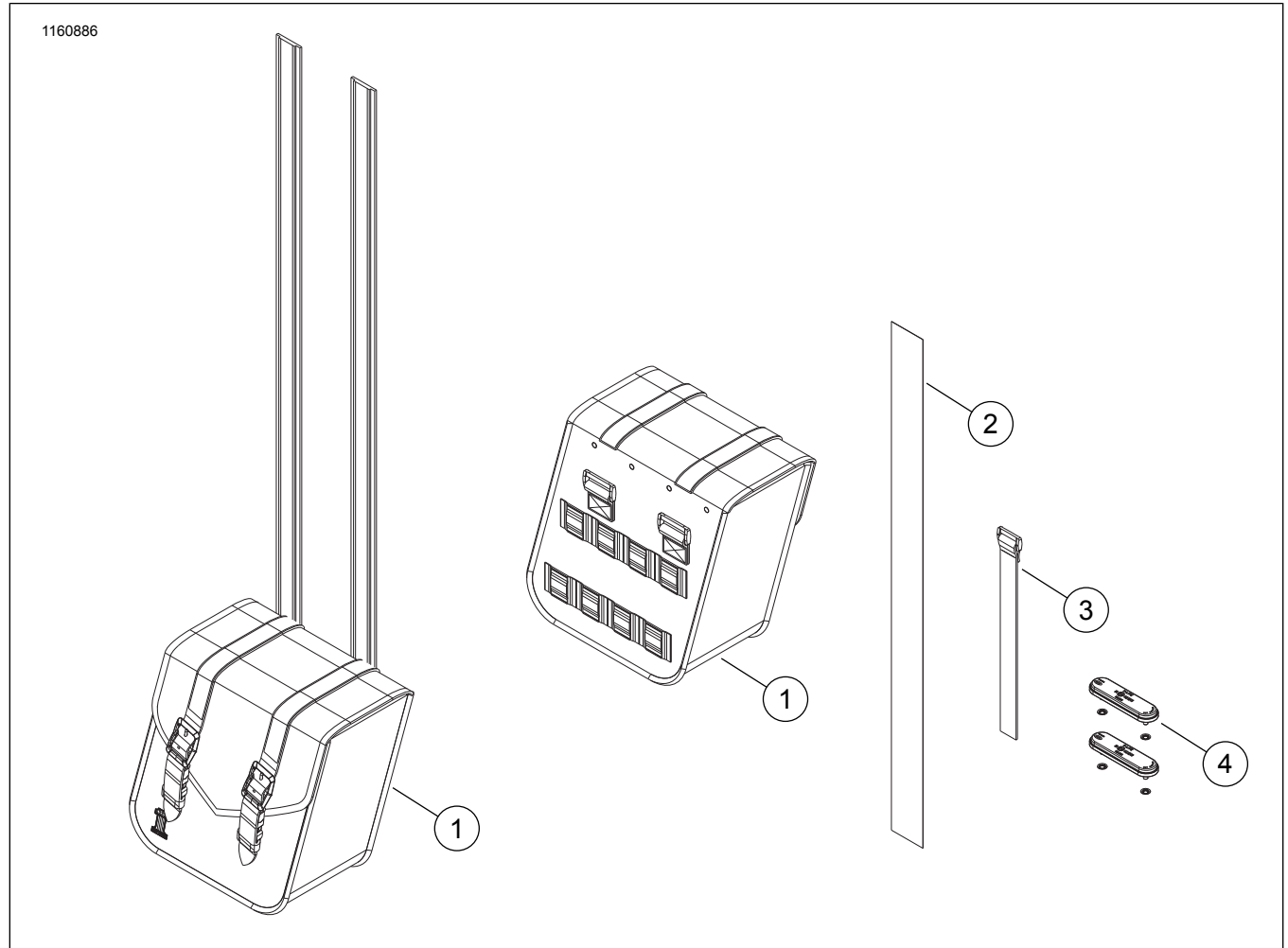
**Do not use bleach or detergents containing bleach on saddlebags, seats, tank panels or painted surfaces. Doing so can result in equipment damage. (00229a)**

Leather, vinyl and other synthetic surfaces must be periodically cleaned and treated to maintain its appearance and extend its life. Clean and treat these surfaces once a season or more frequently under adverse conditions.

These surfaces are not designed for long-term exposure to inclement weather. Protect these surfaces with an HARLEY-DAVIDSON SEAT RAIN COVER or MOTORCYCLE STORAGE COVER (sold separately).

1. Vacuum or blow dust off surface.
2. Thoroughly clean outer surfaces with soap and water.
3. Allow the material to dry naturally and completely at room temperature before applying other products to the material. Do not use artificial means to dry the material quickly.

# SERVICE PARTS



**Figure 4. Service Parts: Throw-over Saddlebag Kit (Compact version shown)**

**Table 1. Service Parts: Throw-over Saddlebag Kit**

Item	Description (Quantity)	Part Number
1	Saddlebags	Not sold separately
2	Anti-abrasion Tape, 28 in	90201955
3	Hook-and -Loop Supports (8)	90201895
4	Reflector Kit (2)	59480-04A