



INSTRUCTIONS

-J06237

2015-04-30

SPROCKET COVER KIT

GENERAL

Kit Number

34800032

Models

For model fitment information, see the P&A Retail Catalog or harley-davidson.com (English only).

Installation Requirements

▲ WARNING

Rider and passenger safety depend upon the correct installation of this kit. If the procedure is not within your capabilities or you do not have the correct tools, have a Harley-Davidson dealer perform the installation. Improper installation of this kit could result in death or serious injury. (00308b)

Kit Contents

See Figure 2 and Table 1.

REMOVAL

▲ WARNING

To prevent accidental vehicle start-up, which could cause death or serious injury, remove main fuse before proceeding. (00251b)

1. See owner's manual. Remove main fuse.
2. See Figure 1. Remove the rear head pipe mounting clamp and fasteners. Save the clamp and fasteners for later use.
3. Remove sprocket cover.
 - a. Remove screw (1), washer (2), and exhaust pipe clamp bracket (3).
 - b. Remove screws (4 and 5) and original equipment (OE) sprocket cover (6).

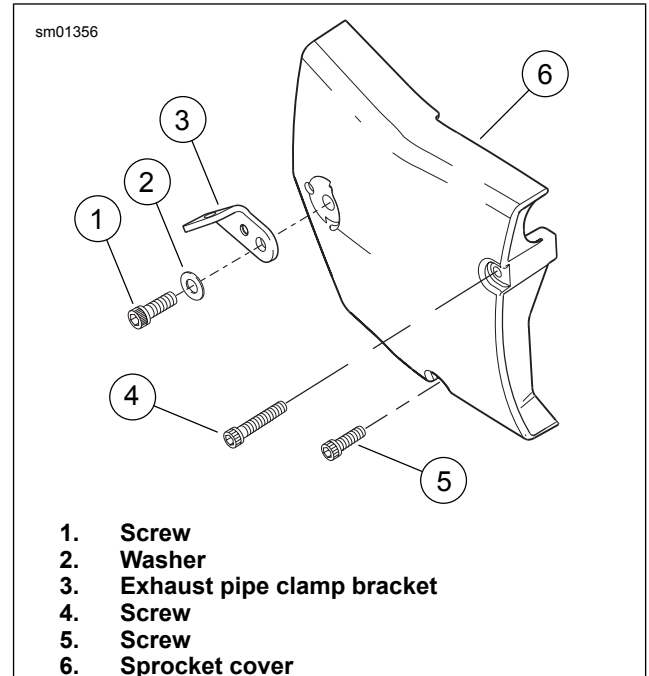


Figure 1. Sprocket Cover

INSTALLATION

NOTE

See Figure 2. Spacers (7, 8, and 9) are all different. The long spacer (7) goes on the top while the short spacer (8) goes on the bottom.

Incorrect assembly results in the sprocket cover contacting the sprocket.

1. See Figure 2. Assemble the sprocket cover components as shown.
2. Install sprocket cover assembly. Tighten two screws (5) to 9–13.6 N·m (80–120 in-lbs).
3. Install the bracket (A), washer (4) and screw (6). Tighten screw to 40.7–44.7 N·m (30–33 ft-lbs).
4. Install previously removed rear head pipe mounting clamp, screw and acorn nut. Tighten the acorn nut to 27.1–40.7 N·m (20–30 ft-lbs).
5. Verify that the sprocket cover is not contacting the sprocket.
6. See owner's manual. Install main fuse.

SERVICE PARTS

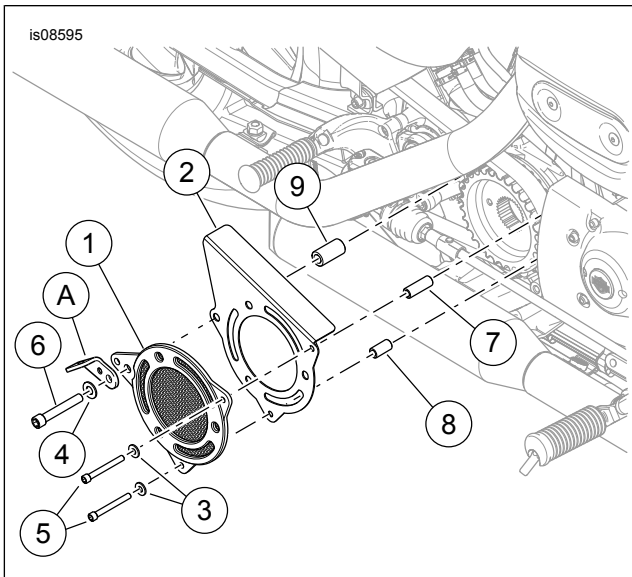


Figure 2. Service Parts: Sprocket Cover Kit

Table 1. Service Parts

Item	Description (Quantity)	Part Number
1	Sprocket cover assembly	Not Sold Separately
2	Belt guard	Not Sold Separately
3	Washer, chrome (2)	94065-90T
4	Washer, chrome	94067-90T
5	Screw, 1/4-20 x 2.25 in (2)	94319-91T
6	Screw, 3/8-16 x 2.5 in	94360-91T
7	Long spacer, 1/4 inch	Not Sold Separately
8	Short spacer, 1/4 inch	Not Sold Separately
9	Spacer, 3/8 inch	Not Sold Separately
Items mentioned in text, but not included in kit.		
A	Exhaust pipe clamp bracket	