



INSTRUCTIONS

-J04740

REV. 2008-03-17

SPORTSTER ADJUSTABLE HIGHWAY FOOTPEG SUPPORT KIT

GENERAL

Kit Number

49053-04A

Models

For model fitment information, please see the P&A Retail Catalog or the Parts and Accessories section of www.harley-davidson.com (English only).

WARNING

The rider's safety depends upon the correct installation of this kit. If the procedure is not within your capabilities or you do not have the correct tools, have a Harley-Davidson dealer perform the installation. Improper installation of this kit could result in death or serious injury. (00308a)

Kit Contents

See Figure 1 and Table 1.

INSTALLATION

1. See Figure 1 and Table 1. The lower, right front, side of the motorcycle at the engine mount is shown.
2. Remove and discard the two mounting screws. The regulator wire support plate will stay in place on the frame.
3. Place the right arm (1) on the mounting plate (3) with the arm adjusting dowel in the selected position hole (choice of three). Align the arm screw hole with the screw hole in the mounting plate. Install screw (14) and lockwasher (15) into arm. Tighten screw to 45-50 ft-lbs (61-67.8 Nm).

4. Place arm and the mounting plate with the two spacers (12) against the outside of the regulator wire support plate aligning the two mounting holes.
5. Place lockwashers (7) on the two longer screws (13) and install the two longer screws, with lockwashers through the mounting plate holes and into the engine support holes. Tighten screws (13) to 16-28 ft-lbs (21.7-38 Nm).
6. Reposition regulator wires and wrap them to frame with a new cable strap (8) from kit.

WARNING

Footrests must fold up and toward rear of motorcycle if struck. Failure to set footrests to fold up and back could result in death or serious injury. (00366a)

7. To attach footpeg support (6) to arm (1):
 - a. Place lockwasher (5) on screw (4).
 - b. Place footpeg support (6) on arm (1).
 - c. Install screw (4) and washer (5) in arm (1) and into footpeg support (A).
8. To attach footpeg (sold separately) to footpeg support:
 - a. Install footpeg and spring washer (11) between the support prongs on the footpeg support (6). Secure the footpeg and spring washer (11) between the support prongs using screw (10) and nylock nut (9). Tighten screw to 19 ft-lbs (25.8).
9. Repeat instructions 1 through 6 for left side footpeg mounting using remaining spacers and screws. There is no regulator bracket on left side.

SERVICE PARTS

is05405

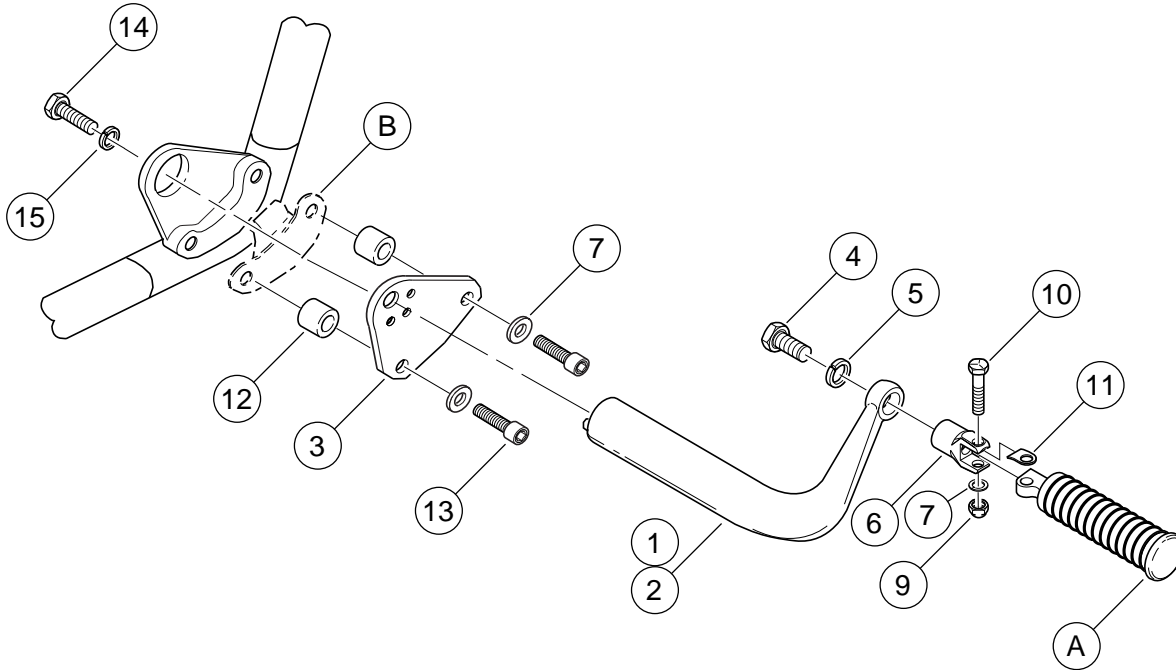


Figure 1. Service Parts: Adjustable Highway Footpeg Support Kit

Table 1. Service Parts Table

Item	Description (Quantity)	Part Number
1	Arm, right	49061-96
2	Arm, left	49062-96
3	Mounting plate	49054-04A
4	Screw, hex head 1/2-20 x 1-1/4 in. (2)	3486
5	Lockwasher, 1/2 in.	7068
6	Footpeg support (2)	50900-72
7	Lockwasher 3/8 in. (4)	6701
8	Cable strap, (4) (not shown)	10006
9	Nylok nut, 3/8-16 in. (2)	7778
10	Screw, hex head, 3/8-16 x 1-1/2 in. (2)	4721
11	Spring washer (2)	50912-72
12	Spacer, 1-1/4in. (4)	6637
13	Screw, hex socket head, 3/8-16 x 2-1/2 in. (4)	4344
14	Screw, hex head 7/16-20 x 1/2 in. (2)	4770
15	Lockwasher, 7/16-20 (2)	7039
Items mentioned in text, but not included in kit:		
A	Footpeg (sold separately)	
B	Regulator wire support plate	