



INSTRUCTIONS

-J04717

2009-10-28

XR1200 BUNGEE BAR KIT

GENERAL

Kit Number

90363-08

Models

For model fitment information, see the P&A Retail Catalog or the Parts and Accessories section of www.harley-davidson.com (English only).

▲ WARNING

Rider and passenger safety depend upon the correct installation of this kit. Use the appropriate service manual procedures. If the procedure is not within your capabilities or you do not have the correct tools, have a Harley-Davidson dealer perform the installation. Improper installation of this kit could result in death or serious injury. (00333b)

NOTE

This instruction sheet references service manual information. A service manual for your model motorcycle is required for this installation and is available from a Harley-Davidson dealer.

Kit Contents

See Figure 2 and Table 1.

INSTALLATION

▲ WARNING

Improper loading of cargo or installation of accessories can affect motorcycle stability and handling, which could result in death or serious injury. (00121a)

Use the following guidelines when equipping a motorcycle or carrying passengers and cargo.

- Keep cargo weight concentrated close to the motorcycle and as low as possible to minimize the change in the motorcycle's center of gravity. Distribute weight evenly and do not load bulky items too far behind the rider or add weight to the handlebars or front forks.
- Be sure cargo is secure and will not shift while riding. Periodically recheck load.

1. See Figure 1. Remove rider's seat (1) and passenger pillion (2).
2. Remove short screws and washers (3) and long screws (4) and retainers (5) and lift seat base (6) from frame.
3. See Figure 2 and Table 1. Remove two screws and washers from the muffler support (B) on the right side frame rail. Save screws in case bungee bar needs to be removed. Washers will be used in next step.

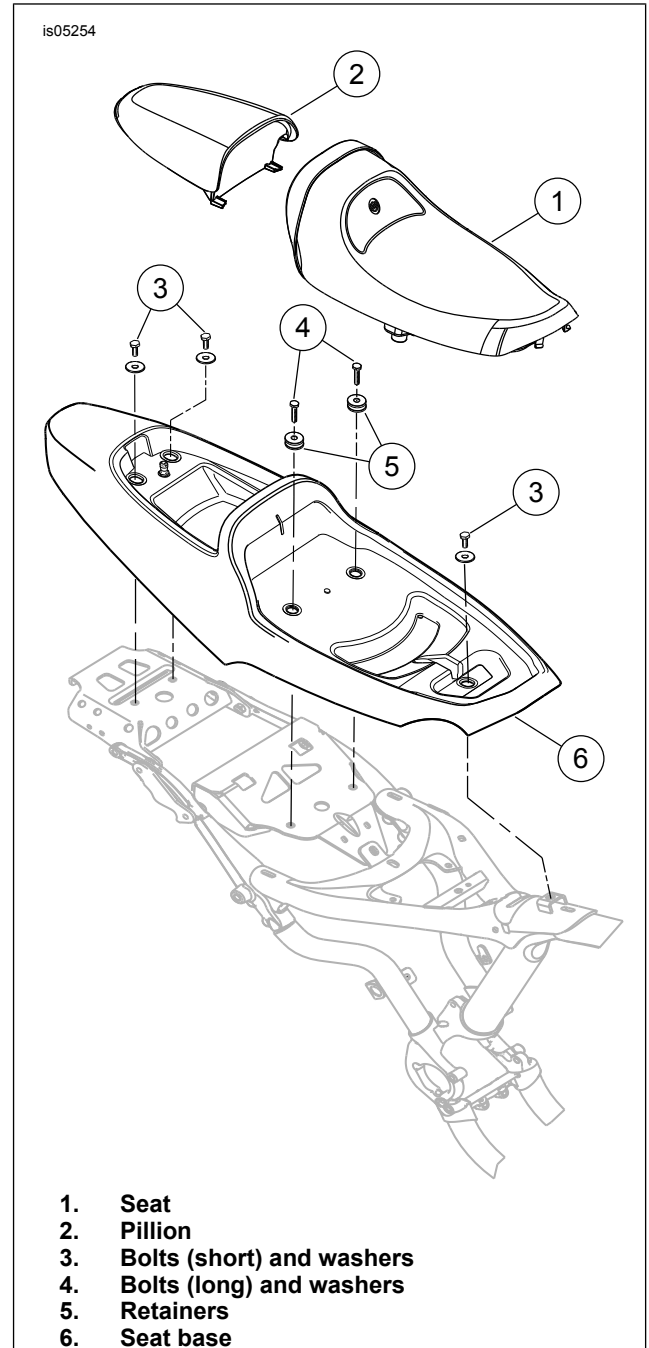


Figure 1. Remove Seat, Pillion and Seat Base

4. Overlay the bungee bar (1) over the muffler support using two previously removed washers behind the left side of bungee bar as shown in illustration and fasten with 1.75 inch screw (4) on the rear and 2.00 inch screw (3) on the front. Tighten screws to 20.3–27.1 N·m (15–20 ft-lbs). Loosen screws and then retighten to 31.2–33.9 N·m (23–25 ft-lbs).

-J04717

Many Harley-Davidson® Parts & Accessories are made of plastics and metals which can be recycled. Please dispose of materials responsibly.

1 / 2

5. Remove the corresponding hardware from the left side frame rail (D). Stack the bungee bar (2) to the rail and install with screws from hardware kit using a 1.75 inch screw (4) on the front and a 1.50 inch screw (5) on the rear. No washers are used on this side. Tighten screws to 20.3–27.1 N·m (15–20 ft-lbs). Loosen screws and then retighten to 31.2–33.9 N·m (23–25 ft-lbs). Save the original hardware should the bungee bar need to be removed.

6. See Figure 1. Install seat base to frame and tighten all screws to 8.1–13.6 N·m (72–120 in-lbs).

⚠ WARNING

After installing seat, pull upward on seat to be sure it is locked in position. While riding, a loose seat can shift causing loss of control, which could result in death or serious injury. (00070b)

7. Install passenger pillion and riders seat.

SERVICE PARTS

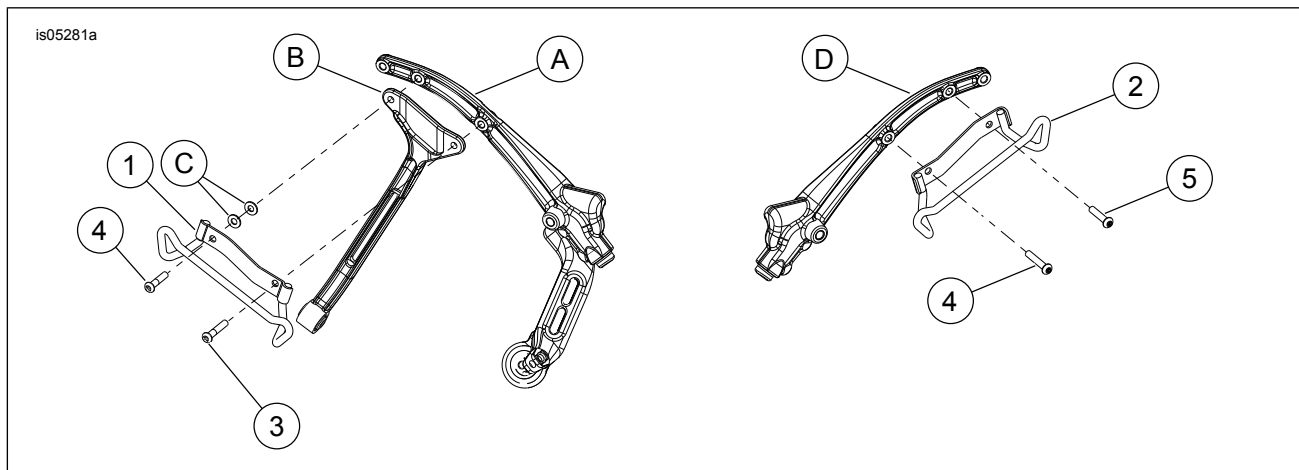


Figure 2. Service Parts: XR1200 Bungee Bars

Table 1. Service Parts Table

Item	Description (Quantity)	Part Number
1	Bungee bar, right	Not Sold Separately
2	Bungee bar, left	Not Sold Separately
3	Screw, hex drive, 2.00 inch	3142
4	Screw, hex drive 1.75 inch (2)	3141
5	Screw, hex drive 1.50 inch	3140
Items mentioned in text, but not included in kit:		
A	Right frame rail	
B	Muffler support	
C	Washers (2)	
D	Left frame rail	