



# INSTRUCTIONS

-J04710

2008-02-15

## XR1200 REAR BRAKE CALIPER BRACKET AND PIN BOOT KIT

### GENERAL

#### Kit Number

42892-08

#### Models

For model fitment information, please see the P&A Retail Catalog or the Parts and Accessories section of [www.harley-davidson.com](http://www.harley-davidson.com) (English only).

#### Additional Parts Required

Separate purchase and installation of additional parts or accessories may be required for proper installation of this kit on your model motorcycle. Please see the P&A Retail Catalog or the Parts and Accessories section of [www.harley-davidson.com](http://www.harley-davidson.com) (English only) for a list of required parts or accessories for your model.

#### ▲ WARNING

Rider and passenger safety depend upon the correct installation of this kit. Use the appropriate service manual procedures. If the procedure is not within your capabilities or you do not have the correct tools, have a Harley-Davidson dealer perform the installation. Improper installation of this kit could result in death or serious injury. (00333b)

#### NOTE

This instruction sheet references Service Manual information. A Service Manual for your model motorcycle is required for this installation and is available from a Harley-Davidson Dealer.

#### Kit Contents

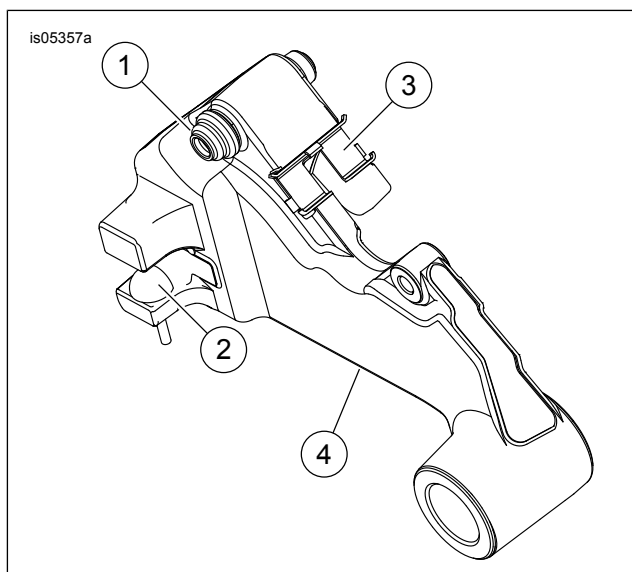


Figure 1. XR1200 Rear Brake Caliper Bracket Kit

Table 1. Service Parts

Item	Description (Quantity)	Part Number
1	Caliper pin boot	42824-04
2	Damper	42840-04
3	Retainer clip	Not Sold Separately
4	Caliper bracket	Not Sold Separately

### INSTALLATION

1. Place a center stand under the motorcycle and raise the rear wheel off the ground.
2. Refer to "REAR BRAKE CALIPER: XR MODELS" in the Service Manual to remove the brake caliper.
3. Remove axle clip, nut and washer and slide axle out until there is room to remove the brake caliper mount.
4. Install the new brake caliper mount to the axle shaft and rear fork.
5. Loosely install axle washer and nut.
6. Refer to "REAR BRAKE CALIPER: XR MODELS" in the Service Manual to install the brake caliper.
7. Adjust drive belt and check vehicle alignment. Refer to "REAR BELT DEFLECTION" in the Service Manual.