



## SIDE MOUNT LICENSE PLATE KIT

J04703

2012-02-14

### GENERAL

#### Kit Numbers

60938-10, 60947-10, 60978-10, 60972-10

#### Models

For model fitment information, see the P&A retail catalog or the Parts and Accessories section of [www.harley-davidson.com](http://www.harley-davidson.com) (English only).

### Installation Requirements

#### ⚠ WARNING

Rider and passenger safety depend upon the correct installation of this kit. Use the appropriate service manual procedures. If the procedure is not within your capabilities or you do not have the correct tools, have a Harley-Davidson dealer perform the installation. Improper installation of this kit could result in death or serious injury. (00333b)

#### NOTE

This instruction sheet refers to service manual information. A service manual for this year/model motorcycle is required for this installation and is available from a Harley-Davidson dealer.

### Kit Contents

See [Figure 2](#) and [Table 1](#).

### PREPARATION

#### NOTE

For vehicles equipped with security siren:

- **2007 and later:** Verify that the Hands-Free Fob is present. Turn the ignition key switch to IGNITION.
- **2006 and earlier:** Disarm the siren with the key fob.

#### ⚠ WARNING

To prevent accidental vehicle start-up, which could cause death or serious injury, remove main fuse before proceeding.  
(00251b)

1. See the service manual and remove the main fuse.
2. Turn the ignition key switch OFF if not already done.

## INSTALLATION

1. Remove the existing license plate and bracket from the rear fender.
2. See [Figure 1](#). Install the fender hole cover (1), and attach to the fender with push nuts (2).

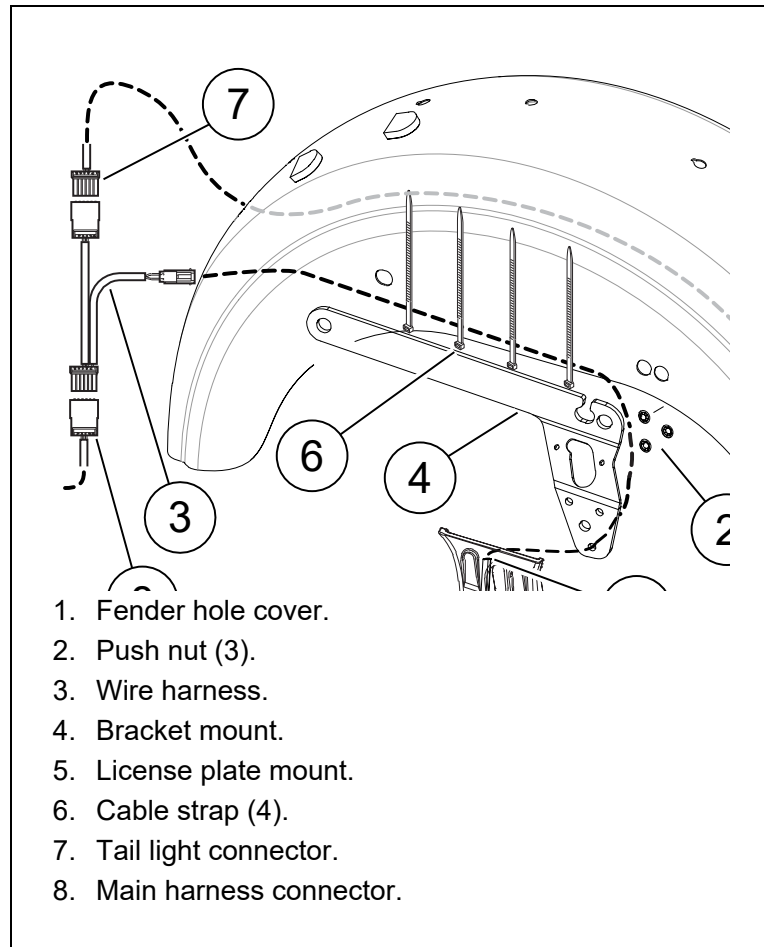


Figure 1. Wire Harness Routing and Fender Hole Cover

3. See [Figure 2](#). Install the light (9) to the license plate mount (11) using screws (8).
4. Remove the left turn signal per service manual instructions. Remove the existing mounting bolt and replace with the **new** mounting bolt (17) from the kit.
5. Remove the frame rail cover mounting screws from the left side of the motorcycle. Remove the frame rail cover (B) and mounting bracket (C).
6. See [Figure 2](#). **Dyna Models: Sportster Models:**
  - a. Slide the mount bracket (1) between the fender and frame rail and the mounting bracket (C) behind the fender.

- b. Install the spacer (2) around the front hole in the license plate bracket (1).
  - c. Install the frame rail cover (B) and the original equipment (OE) screws removed earlier. Leave the screws loose so the license plate wiring can be installed.
  - d. Position the mount bracket (3) between the fender and frame rail.
  - e. Install the frame rail cover (B) and the **new** screws (4 and 5) from the kit, using the longer screw in the front. Leave the screws loose so the license plate wiring can be installed.
7. **ALL Models:** See [Figure 1](#). Connect the kit wiring harness (3) to the rear fender connectors (7, 8) for the tail lights. Route the license light wire between the mount bracket (4) and the license plate mount (5). Pass the wires through the hole in the mount bracket.
  8. See [Figure 2](#). Assemble the license plate mount (11) to the mount bracket with 9.5 mm ( $\frac{3}{8}$  in) long screws (7). Tighten to 10.8–13.5 N·m (8–10 ft-lbs).
  9. See [Figure 1](#). Route the wire harness along the underside of the mount bracket (4) and use four cable ties to attach the wires to the mount bracket. Connect the light wires to the harness (3).
  10. See [Figure 2](#). Install the license plate to the license plate mount (11) and install the frame cover (14) using set screws (10).
  11. Install the left side turn signal using service manual procedures.
  12. See the service manual and install the main fuse.

 **WARNING**

After installing seat, pull upward on seat to be sure it is locked in position. While riding, a loose seat can shift causing loss of control, which could result in death or serious injury.  
(00070b)

13. See the service manual and install the seat.

## SERVICE PARTS

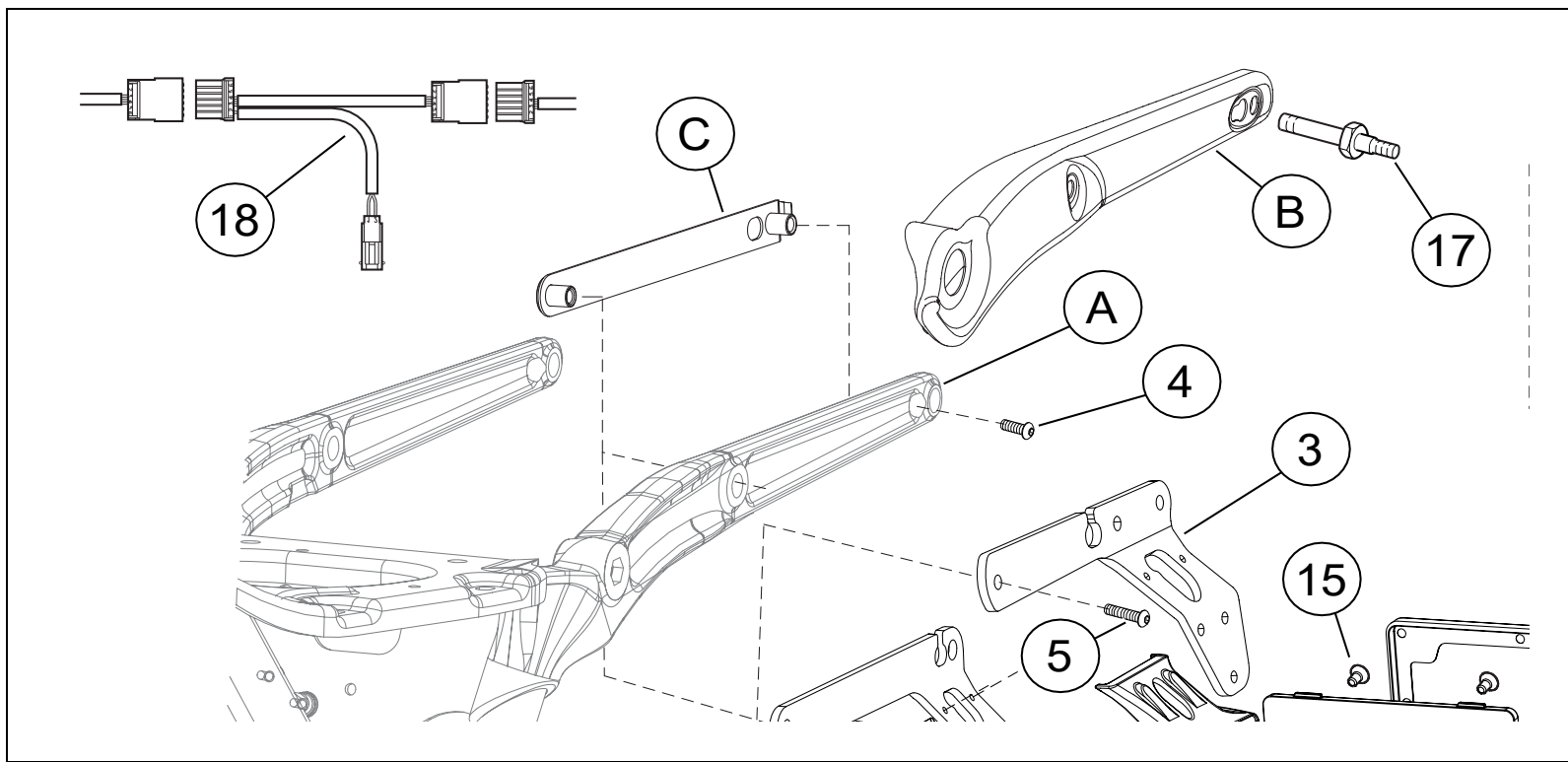


Figure 2. Service Parts: Side Mount License Plate Kit

Table 1. Service Parts

ITEM	DESCRIPTION (QUANTITY)	PART NUMBER
<b>Items included in kits 60938-10 and 60972-10:</b>		
1	Dyna mount bracket (black)	Not sold separately
2	Spacer	11896
<b>Items included in kits 60947-10 and 60978-10:</b>		
3	XL mount bracket (chrome)	Not sold separately
4	Screw, TORX® button head, 5/16-18 x 35 mm (1 3/8 in) long	Not sold separately
5	Screw, TORX button head, 5/16-18 x 48 mm (1 7/8 in) long	Not sold separately
<b>Items included in ALL kits:</b>		
6	Screw, TORX button head, #8-32 x 13 mm (1/2 in) long, with lock patch (2)	8679
7	Screw, hex socket button head, 1/4-20 x 16 mm (5/8 in) long (3)	924
8	Screw, TORX pan head, #8-32 x 9.5 mm (3/8 in) long (2)	2480
9	Illuminator, license plate	68183-07
10	Set screw	Not sold separately
11	License plate mount assembly (includes items 12-13)	Not sold separately

ITEM	DESCRIPTION (QUANTITY)	PART NUMBER
12	▪ Pivot pin	4983
13	▪ Detent spring (for kits 60938-10 and 60972-10 only)	5254
14	Cover, license plate frame	Not sold separately
15	Screw, hex socket flat head, #10-24 x 9.5 mm (3/8 in) long (2)	924
16	Fender hole cover, H-D Bar & Shield	60311-10
17	Bolt, turn signal mount	5531
18	Wire harness, license plate light	70036-10
19	Cable strap (4)	10006
<b>Items mentioned in text, but not included in kit:</b>		
A	Frame rail	
B	Frame rail cover	
C	Mounting bracket (only on Dyna models)	