



INSTRUCTIONS

-J04687

2008-02-18

THROTTLE POSITION SENSOR KIT

GENERAL

Kit Number

27629-01A

Models

For 2007 and later XL models and 2001 and later VRSC models.

NOTE

This instruction sheet references Service Manual information. A Service Manual for your model motorcycle is required for this installation and is available from a Harley-Davidson Dealer.

Should you need to check the voltage of the throttle position sensor or check diagnostic trouble codes, refer to the Electrical Diagnostic Manual for your model motorcycle that is available from a Harley-Davidson Dealer.

▲ WARNING

Rider and passenger safety depend upon the correct installation of this kit. Use the appropriate service manual procedures. If the procedure is not within your capabilities or you do not have the correct tools, have a Harley-Davidson dealer perform the installation. Improper installation of this kit could result in death or serious injury. (00333b)

Kit Contents

Table 1. Kit Contents

| Item | Description (Quantity) | Part Number |
|------|--|---------------------|
| 1 | Button head TORX lock screw (2) (XL models only) | Not Sold Separately |
| 2 | Screw (2) (VRSC models only) | Not Sold Separately |
| 3 | Throttle position sensor | Not Sold Separately |

There are no Service Parts available with this kit.

INSTALLATION

XL Models

1. Remove main fuse. Refer to Service Manual.

NOTE

Specific screws are included in the kit for XL and VRSC model motorcycles. Refer to Figure 1 to determine the screws you need for your model.

2. Remove air cleaner cover, air filter and backing plate assembly. Refer to Service Manual.

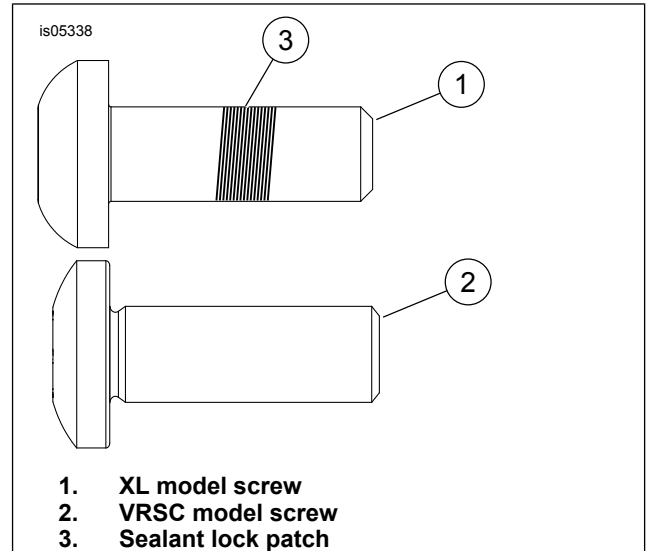


Figure 1. Screws used for XL and VRSC Models

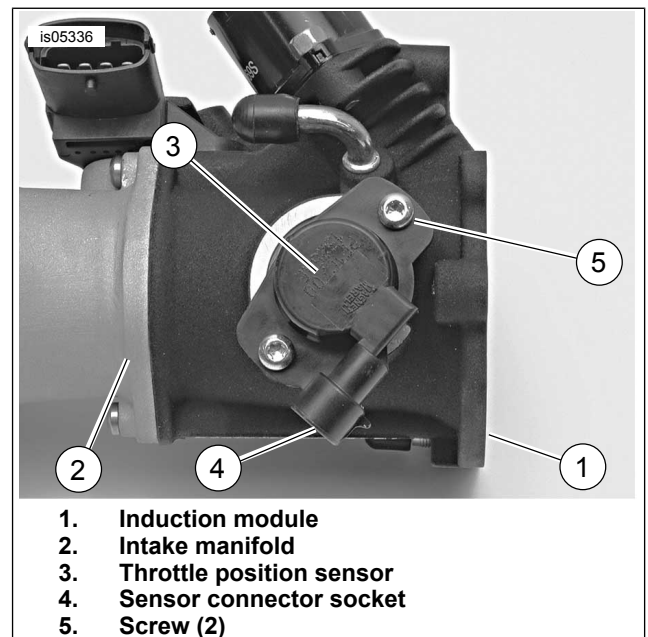


Figure 2. Remove Throttle Position Sensor

3. See Figure 2. Remove throttle position sensor harness connector from socket (4).

NOTE

Throttle plate must be closed for proper installation of sensor.

4. Remove two screws (5) and detach sensor from induction module (1).
5. Orient new throttle position sensor (3) as shown and that it fits flush to induction module.

6. Align screw holes and install new screws and tighten to 4 N·m (35 in-lbs).
7. Verify that the throttle plate opens and closes smoothly with no binding.
8. Connect sensor pin connector to socket.
9. Install air cleaner backing plate, filter element and air cleaner cover.
10. Install main fuse.
7. Align and Install new screws and tighten to 2–2.8 N·m (18–25 in-lbs).
8. Verify that the throttle plate opens and closes smoothly with no binding.
9. Connect sensor pin connector to socket.
10. Install airbox and air filter.
11. Install main fuse.

VRSC Models

1. Remove main fuse. Refer to Service Manual.
2. Remove airbox and air filter. Refer to Service Manual.

NOTICE

Cover the throttle body bores with duct tape to prevent objects from falling down the injector bores. Do NOT use shop cloths or objects that could damage the throttle plates. (00212d)

3. Cover throttle bodies to prevent objects from entering cylinders.
4. Remove throttle position sensor harness connector from socket.

NOTE

Throttle plate must be closed for proper installation of sensor.

5. Remove two screws and detach sensor from throttle body.

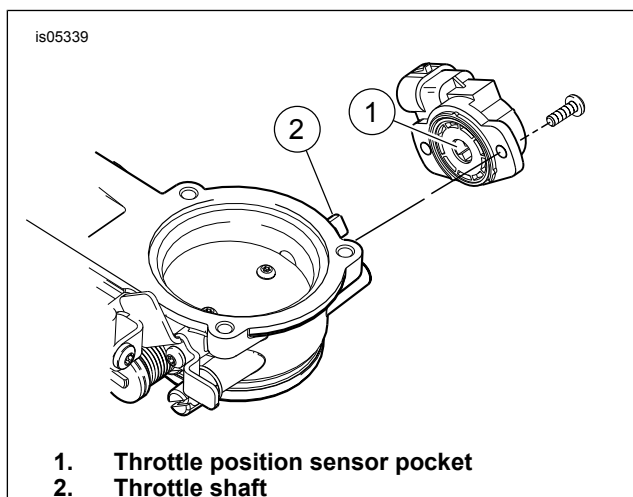


Figure 3. Install Throttle Position Sensor

NOTE

Specific screws are included in the kit for XL and VRSC model motorcycles. Refer to Figure 1 to determine the screws you need for your model.

6. See Figure 3. With the connector facing to the rear of the motorcycle, align the sensor pocket (1) with the throttle shaft (2) and verify the sensor is flush with the throttle body.