



INSTRUCTIONS

-J04485

2010-06-29

XL FRAME SERVICE KIT

GENERAL

Kit Numbers

49432-07A, 49434-07A

Models

These kits are designed to replace the frame for 2007 Sportsters: 883, 883R, 1200R, 883L, 1200N

Additional Parts Required

▲ WARNING

Rider and passenger safety depend upon the correct installation of this kit. Use the appropriate service manual procedures. If the procedure is not within your capabilities or you do not have the correct tools, have a Harley-Davidson dealer perform the installation. Improper installation of this kit could result in death or serious injury. (00333b)

NOTE

This instruction sheet references service manual information for your motorcycle. A service manual for your model and year motorcycle is required for this installation and is available from a Harley-Davidson Dealer.

We recommend that this kit be installed by a factory trained technician at an authorized Harley-Davidson Dealer.

Kit Contents

See Figure 1 and Table 1.

INSTALLATION

NOTE

Prior to installing the new frame, verify that the VIN number matches the original frame VIN number.

See Figure 1. After completing the installation of this frame kit, the original frame head stock that contains the Vehicle Identification Number (VIN), along with a minimum of 12 inches of the front down tubes (A) and 12 inches of the backbone (B) from the headstock **MUST** be returned to your local Harley-Davidson dealer. (There may be situations that require the entire frame to be returned, but only when instructed by Technical Services). If the entire frame is returned without prior Harley-Davidson authorization, the dealer will not receive credit for the freight costs for the entire frame. Your new frame will have the correct VIN number stamped on the headstock.

Refer to your model and year service manual for procedures to remove all components from your frame. Then refer to the service manual and install all of the removed components onto the frame included in this kit, replacing the jiffy stand or jiffy stand clevis pin and jiffy stand bumper with the parts included in this kit. All parts included in this kit must be used to replace original parts per the service parts table usage.

SERVICE PARTS

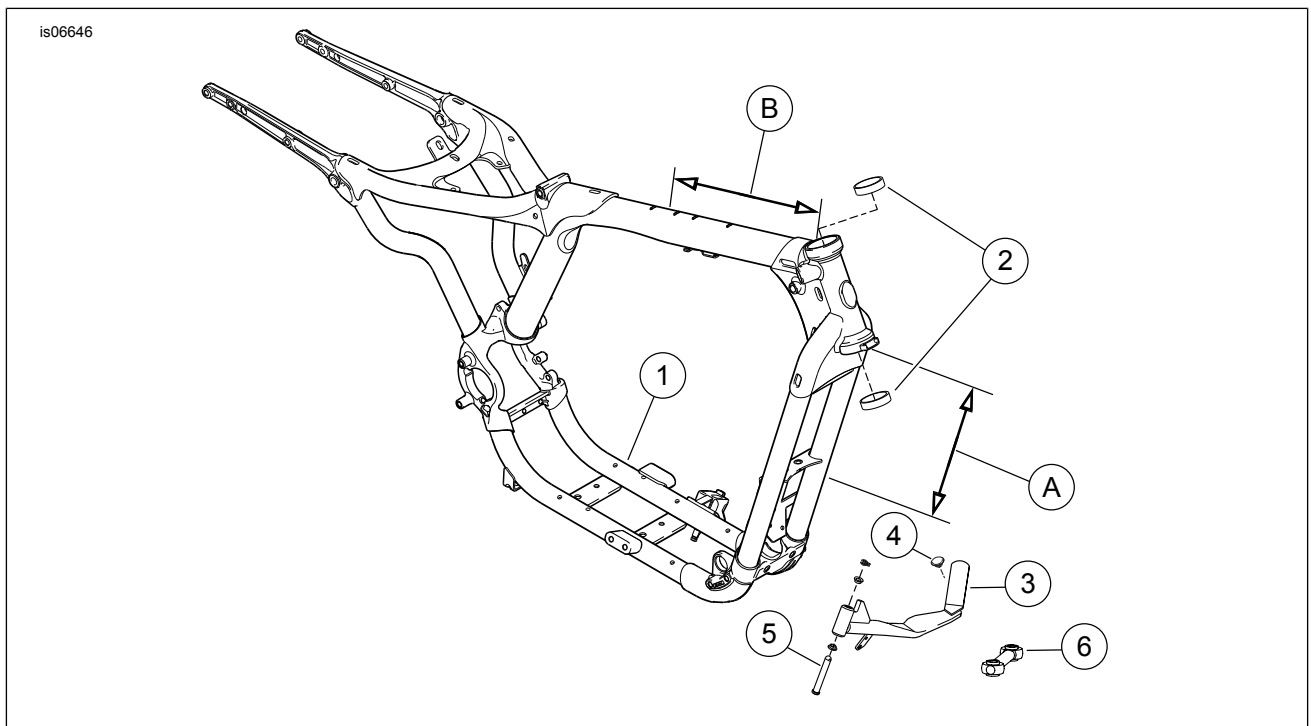


Figure 1. Service Parts for the XL Frame Kit

-J04485

Many Harley-Davidson® Parts & Accessories are made of plastics and metals which can be recycled. Please dispose of materials responsibly.

1 / 2

Table 1. Service Parts Table

Item	Description (Quantity)	Part Number
1	Weldment, frame/PNTD	Not Sold Separately
2	Cup, bearing (2)	48315-60
3	Jiffy stand (883/883R/1200R)	49722-08BHP
4	Bumper	62122-89A
5	Clevis pin (883L/1200N)	50003-89B
6	Stabilizer link (3)	16232-04B
Items Mentioned in Text		
A	Down tube, 12 in. (30 cm)	
B	Backbone, 12 in. (30 cm)	