



INSTRUCTIONS

-J04320

2009-03-04

XR1200 PASSENGER UPRIGHT KIT

GENERAL

Kit Number

53976-08

Models

For model fitment information, see the P&A Retail Catalog or the Parts and Accessories section of www.harley-davidson.com (English only).

Additional Parts Required

Luggage rack (part number 53920-08), purchased separately, is required to install this passenger upright.

Kit Contents

See Figure 2 and Table 1.

INSTALLATION

1. See Figure 1. Install luggage rack (1) (purchased separately) following the instructions for kit 53920-08. Do not install screws (2) and spacers (3). Discard screws and spacers.
2. See Figure 2. Install the upright mounting bracket (2), screws (6) and spacers (7). Tighten screws to 13.5 N-m (10 ft-lbs).
3. Assemble the pad (1) and upright (3) to the upright mounting bracket (2) with screws (4) and spacers (5). Tighten screws to 13.5 N-m (10 ft-lbs).

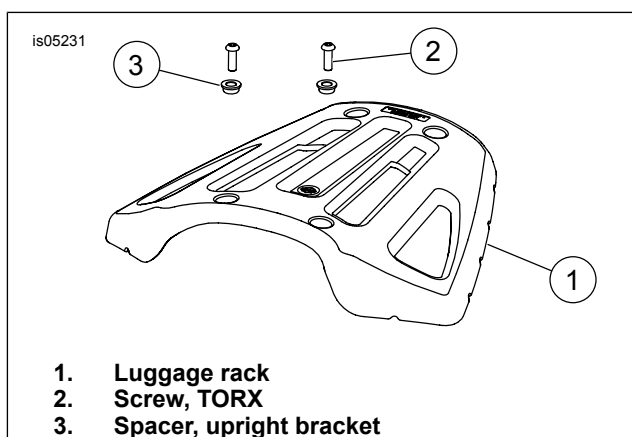


Figure 1. Install Luggage Rack

SERVICE PARTS

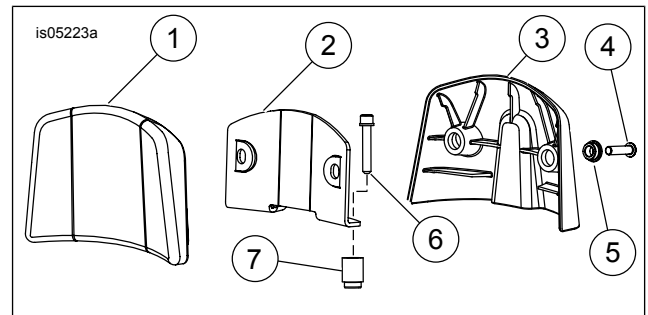


Figure 2. Service Parts: XR1200 Passenger Upright Kit

Table 1. Service Parts Table

Item	Description (Quantity)	Part Number
1	Pad, backrest	53973-08
2	Bracket, upright mounting	Not Sold Separately
3	Upright, XR1200	Not Sold Separately
4	Screw, hex button head, 0.25-20 x 1.0 inch (2)	Not Sold Separately
5	Spacer, short (2)	Not Sold Separately
6	Screw, hex socket head (2)	Not Sold Separately
7	Spacer, tall (2)	Not Sold Separately

Kit 52349-08 is available for separate purchase and includes items 4 through 7 (one each).