



INSTRUCTIONS

-J04205

2010-09-17

XR1200 LUGGAGE RACK KIT

GENERAL

Kit Number

53920-08

Models

For model fitment information, see the P&A Retail Catalog or the Parts and Accessories section of www.harley-davidson.com (English only).

Additional Parts Available

Kit 53976-08 (XR1200 Passenger Upright Kit) is available for separate purchase. Contact your Harley-Davidson dealer for more information.

Kit Contents

See Figure 2 and Table 1.

REMOVAL

1. Remove pillion and seat following the instructions in the appropriate Service Manual.
2. Remove the seat base following the instructions in the appropriate Service Manual.
3. See Figure 1. Remove the turn signal mounting screws (3) and discard. Allow the turn signal to hang by the harness until lower bracket installation.
4. Remove the rear fender support strut screws (6) and discard.

INSTALLATION

1. See Figure 2. Install lower luggage rack mount bracket with screws (9), flat washers (10) and nuts (8). Bracket will mount around nut (Item 2 in Figure 1). Tighten to 26 N·m (19 ft-lbs).
2. Install screws (7) and nuts (8) through the rear fender support strut and the lower luggage rack mount bracket. Tighten to 26 N·m (19 ft-lbs).
3. Route the turn signal wire harnesses through the groove in the bracket. Install new turn signal mounting screws (11). Tighten screws to 4–7 N·m (3–5 ft-lbs).
4. Install seat base following the instructions in the appropriate Service Manual.
5. Install upper luggage rack mount bracket (4) with original equipment seat base screws in the lower holes (A). Do not tighten at this time.

NOTE

If installing the Passenger Upright Kit (part number 53976-08) (available separately), do not install spacers (2) and screws (3) in front holes.

6. Install screws (3) into slotted holes in the upper luggage rack mount bracket (4) and flange nuts (6). Slide the upper bracket as far back in the slots as possible. Tighten screws (3) to 13.5 N·m (10 ft-lbs)

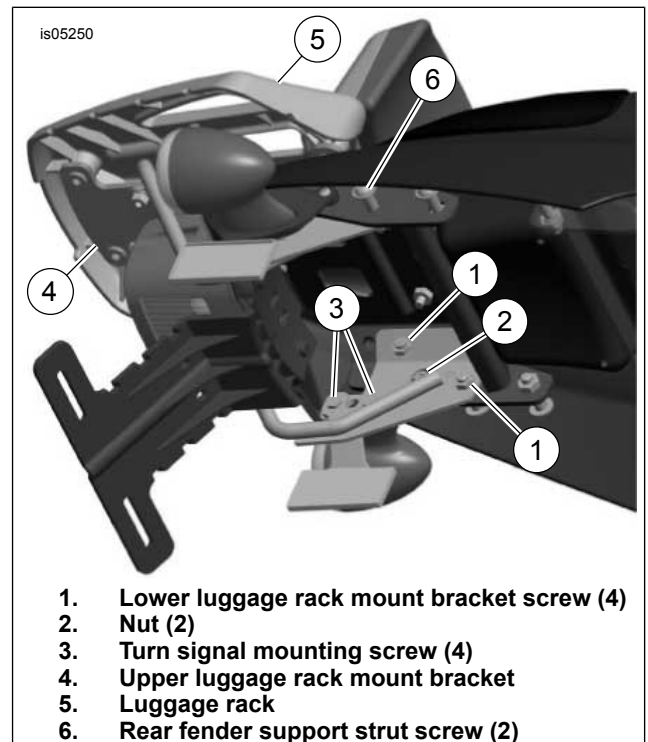


Figure 1. Luggage Rack Installation

7. Install luggage rack (1) aligning the holes with the holes in the upper luggage rack mount bracket. Install spacers (2) and screws (3) in holes. Tighten to 8–13.5 N·m (6–10 ft-lbs).

⚠ WARNING

After installing seat, pull upward on seat to be sure it is locked in position. While riding, a loose seat can shift causing loss of control, which could result in death or serious injury. (00070b)

8. Install pillion and seat following the instructions in the appropriate Service Manual.

▲ WARNING

Do not exceed luggage rack weight capacity. Too much weight can cause loss of control, which could result in death or serious injury. (00373a)

NOTE

Maximum luggage rack weight capacity is seven pounds (3.2 Kg).

Table 1. Service Parts Table

| Item | Description (Quantity) | Part Number |
|---|---|-------------|
| 10 | Flatwasher, type A (2) | 6928 |
| 11 | Screw, hex head M6 x 1.0 x 25 mm (4) | 4842M |
| Items mentioned in text but not included in kit: | | |
| A | Lower holes in upper luggage rack mount bracket | |

SERVICE PARTS

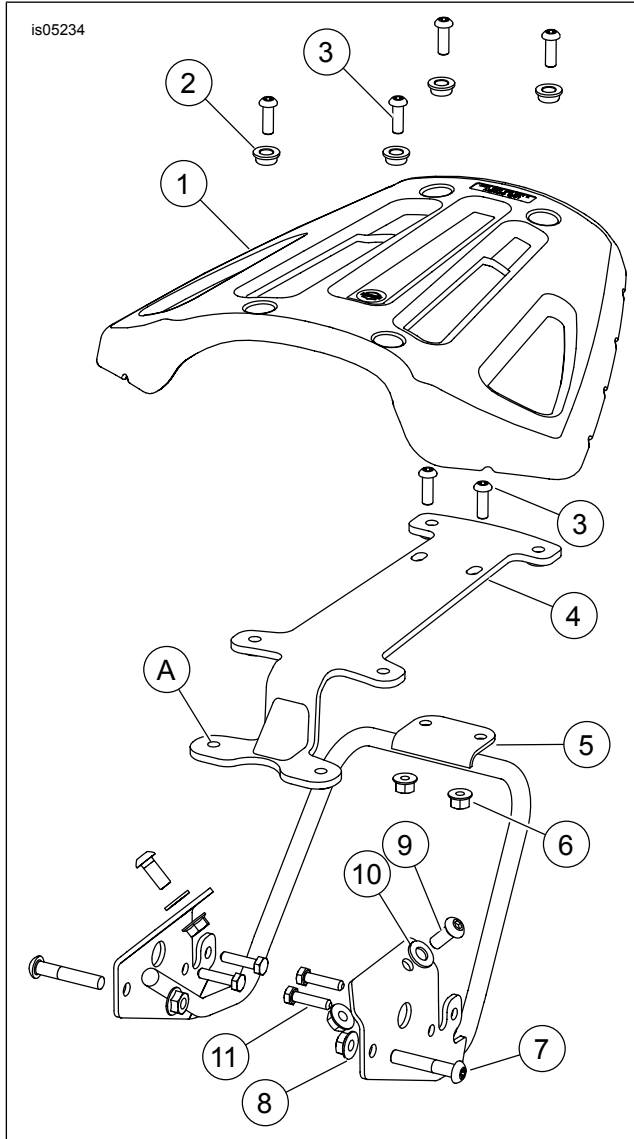


Figure 2. Service Parts: XR1200 Luggage Rack

Table 1. Service Parts Table

| Item | Description (Quantity) | Part Number |
|------|--|---------------------|
| 1 | Luggage rack, XR1200 | Not sold separately |
| 2 | Spacer, upright bracket (4) | 11812 |
| 3 | Screw, hex button head, 0.25-20 x 0.75 inch (6) | 4650 |
| 4 | Bracket, upper luggage rack mount | 53970-08 |
| 5 | Bracket, lower luggage rack mount | 53971-08 |
| 6 | Flange nut (2) | 7981 |
| 7 | Screw, TORX button head, 0.313-18 x 1.75 inch (2) | 4549 |
| 8 | Flange nut (4) | 7531 |
| 9 | Screw, hex socket button head, 0.3125-18 x 0.75 inch (2) | 4652 |