



INSTRUCTIONS

-J04201

REV. 2006-05-16

SPORTSTER 50TH ANNIVERSARY DERBY COVER KIT

GENERAL

Kit Number

25871-07, 25939-07

Models

These kits are designed to fit 2004 and later XL Sportster® model motorcycles.

Kit Contents

See Figure 3 and Table 1.

INSTALLATION

NOTE

On models without forward controls, it may be necessary to remove the left footpeg for removal and assembly of the derby cover.

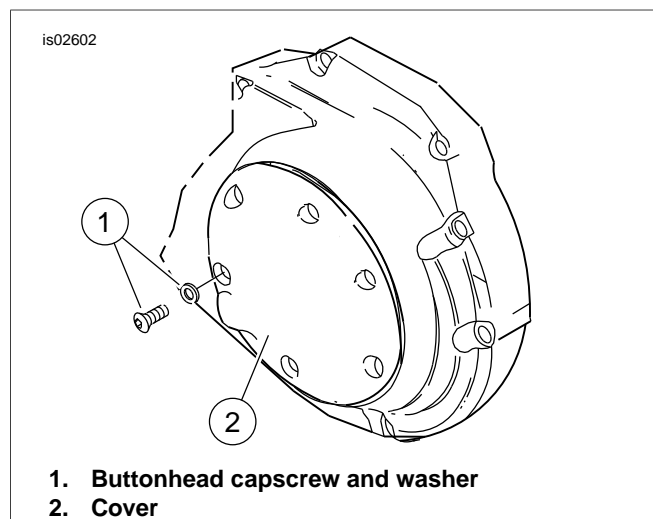


Figure 1. Original Equipment Derby Cover

1. See Figure 1. Remove and discard the existing screws and washers that secure the clutch inspection (derby) cover. Remove and discard the original cover.
2. Wipe groove on mating cover clean of any excess oil or debris.
3. Inspect O-ring for damage. If needed, replace with Part Number 25463-94.
4. See Figure 2 and Figure 3. Install the new cover, cable guard insert, buttonhead capscrews and flat washers. Cable guard should be located with hole inward toward the center of the circle as shown below. The insert seats in the derby cover over the cable and is held captive once the buttonhead screws are tightened. Tighten screws in a crosswise pattern to 84-108 in-lbs (9.5-12.2 Nm).

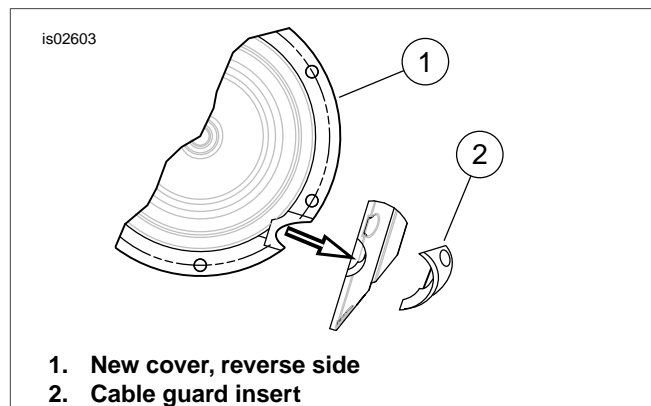


Figure 2. Derby Cover Reverse Side and Cable Guard

SPECIAL CARE INSTRUCTIONS

This Sportster Derby Cover is chrome plated, with paint filled accents.

NOTE

To prevent damage to the cover surface, do not use any detergents, chemical solvents, polishes or abrasive cleaning agents.

To keep this surface in best condition, lightly wipe with a Harley-Davidson Micro Fiber cloth, Part Number 94663-02, using clear water or a mild Harley-Davidson cleaner such as:

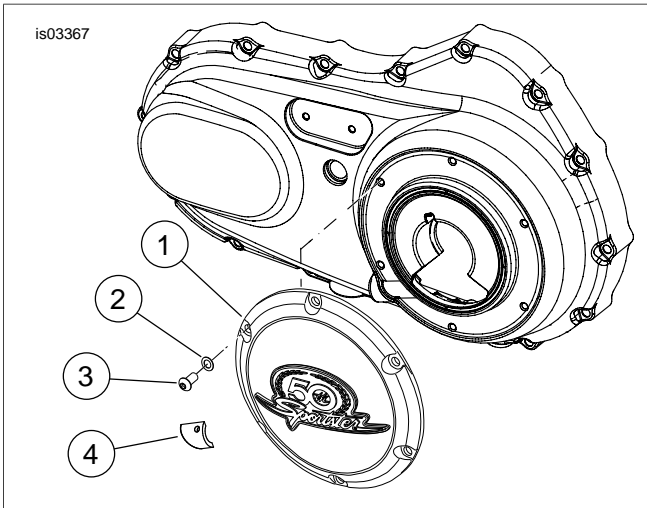
- Sunwash (Part Number 94659-98)
- Bug Remover (Part Number 94657-98)
- Harley Gloss (Part Number 94627-98).

NOTE

These cleaners are available separately or as part of the Harley Care Starter Kit, Part Number 94671-99A from your Harley Davidson Dealer.

SERVICE PARTS

Table 1. Service Parts: Derby Cover Kit



Item	Description (Quantity)	Part Number
1	Derby cover	Not Sold Separately
2	Washers 1/4 inch flat stainless steel (6)	Not Sold Separately
3	Screws, socket button head 1/4-18 x 5/8 inch (6)	94592-98
4	Insert, derby cover cable guard	Not Sold Separately

Figure 3. Service Parts: Sportster 50th Anniversary Derby Cover Kit