



# INSTRUCTIONS

-J03811

2007-11-02

## INTERNATIONAL MINI-BULLET STYLE LED TURN SIGNAL KITS

### GENERAL

#### Kit Number

69474-07, 69475-07, 69476-07, 68863-08

#### Models

For model fitment information, please see the P&A Retail Catalog or the Parts and Accessories section of [www.harley-davidson.com](http://www.harley-davidson.com) (English only).

#### NOTE

*These Mini-Bullet Style LED Turn Signals are intended for use on HDI model motorcycles only. They are not DOT approved for use on domestic Harley-Davidson model motorcycles.*

### Additional Parts Required

Proper installation of this kit also requires the installation of a Mounting Kit for International Mini-Bullet Style LED Turn Signals.

### Kit Contents

See Figure 1 and Table 1.

### INSTALLATION

Refer to the Turn Signal Mounting Kit Instruction Sheet for your model motorcycle for instructions on how to install this kit.

### SERVICE PARTS

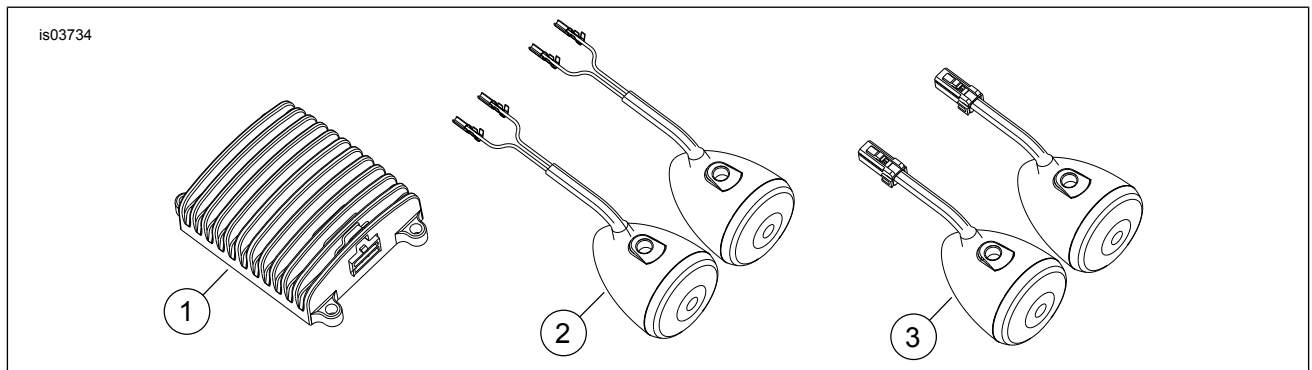


Figure 1. Service Parts for International Mini-Bullet Style LED Turn Signals

Table 1. Service Parts Table

Kit	Item	Description (Quantity)	Part Number
Kit 69476-07	1	Control module, LED turn signal	69480-07
Kit, Chrome Body, LED Turn Signal, Clear Lens	2	LED turn signal, clear lens, rear (2)	69507-07
	3	LED turn signal, clear lens, front (2)	69503-07
Kit 69475-07	1	Control module, LED turn signal	69480-07
Kit, Chrome Body, LED Turn Signal, Smoked Lens	2	LED turn signal, smoked lens, rear (2)	69505-07
	3	LED turn signal, smoked lens, front (2)	69502-07
Kit 69474-07	1	Control module, LED turn signal	69480-07
Kit, Chrome Body, LED Turn Signal, Amber Lens	2	LED turn signal, amber lens, rear (2)	69504-07
	3	LED turn signal, amber lens, front (2)	69499-07
Kit 68863-08	1	Control module, LED turn signal	69480-07
Kit, Black Body, LED Turn Signal, Smoked Lens	2	LED turn signal, smoked lens, rear (2)	68993-08
	3	LED turn signal, smoked lens, front (2)	68934-08

