



INSTRUCTIONS

-J3731

REV. 2009-07-24

CHROME/BLACK FRONT BRAKE FLUID RESERVOIR COVER KITS

GENERAL

Kit Number

45030-03C and 45078-96D

Models

Kits **45030-03C (black)** and **45078-96D (chrome)** are designed to be installed on the front brake master cylinder on all 1996 to 2004 Touring, 1996 to 2003 XL, 1996-2005 Dyna, 1996-2005 Softail, and 2002-2005 VRSC model motorcycles.

Kit Contents

See Figure 1 and Table 1.

INSTALLATION

CAUTION

Do not allow dirt or debris to enter the master cylinder reservoir. Dirt or debris in the reservoir can cause improper operation and equipment damage. (00205c)

1. Clean front master cylinder cover, then remove two screws that hold the cover in place.
2. See Service Parts illustration. Replace the original cover, sight glass and gasket with new cover assembly (2).

NOTE

The cover is labled for D.O.T. 5 silicone brake fluid. Install this cover on reservoirs filled only with D.O.T. 5 silicone brake fluid. Do not mix grades of brake fluid as they are not compatible and could cause equipment damage.

3. Install the new cover screws (1) and tighten to 12-15 in-lbs (1.4-1.7 Nm).

SERVICE PARTS

See Figure 1 and Table 1.

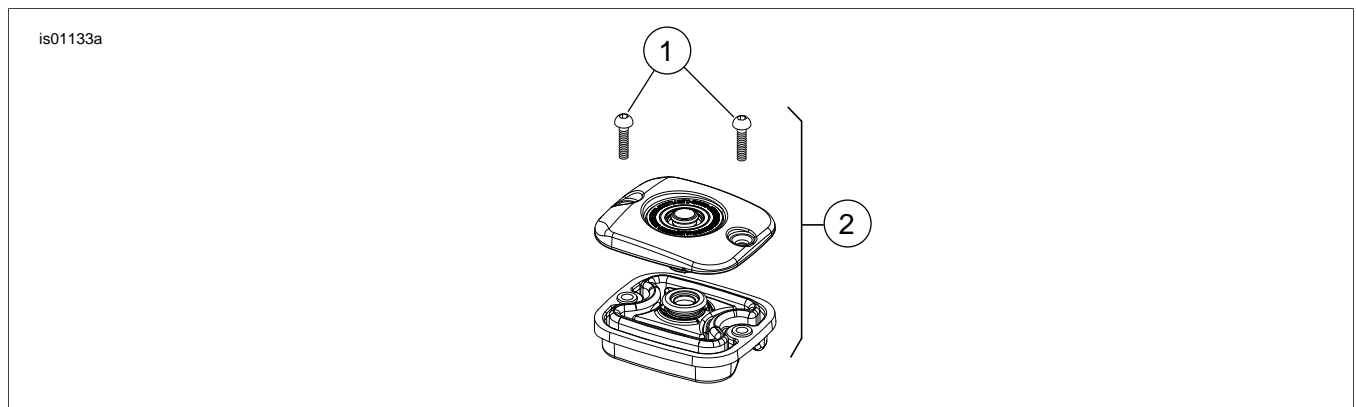


Figure 1. Service Parts: Front Brake Fluid Reservoir Cover Kits

Table 1. Service Parts Table

Kit Number 45030-03C (Black)			Kit Number 45078-96D (Chrome)		
Item	Description (Quantity)	Part Number	Item	Description (Quantity)	Part Number
1	Screw (2), (Steel, black)	2579A	1	Screw (2) (Stainless steel)	2573
2	Cover, reservoir assembly	Not sold separately	2	Cover, reservoir assembly	Not sold separately

NOTE

Part number 94632-01 can be purchased, which includes 4 screws, part number 2573.