



# INSTRUCTIONS

-J03230

2013-11-01

## DIPSTICK ASSEMBLY WITH ANALOG OIL TEMPERATURE READOUT

### GENERAL

#### Kit Number

63023-05

#### Models

For model fitment information, see the P&A retail catalog or the Parts and Accessories section of [www.harley-davidson.com](http://www.harley-davidson.com) (English only).

### INSTALLATION

1. See the Owner's Manual. Remove the original equipment dipstick assembly (oil filler cap).
2. Insert the new dipstick assembly into the tank. Press down on filler cap while turning clockwise one-quarter turn. When filler cap stops turning it is fully seated.

### REMOVAL

This cap is not a pop-up type. To remove, merely pull up on the filler cap while turning counterclockwise one-quarter turn.

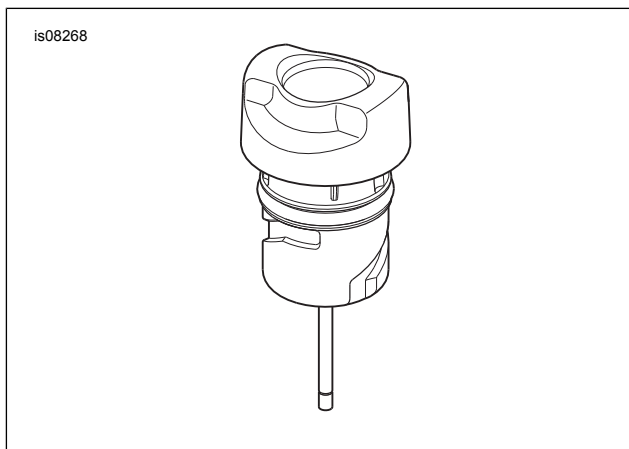


Figure 1. Dipstick Assembly with Analog Oil Temperature Readout