



INSTRUCTIONS

J03097

2004-01-01



"SPORTSTER" RIBBED AIR CLEANER COVER KIT

GENERAL

Kit Number

29837-04

Models

This kit fits all 2004 and later XL (Sportster®) model motorcycles.

Additional Parts Required

▲ WARNING

Rider and passenger safety depend upon the correct installation of this kit. Use the appropriate service manual procedures. If the procedure is not within your capabilities or you do not have the correct tools, have a Harley-Davidson dealer perform the installation. Improper installation of this kit could result in death or serious injury. (00333b)

NOTE

This instruction sheet references Service Manual information. A Service Manual for your model motorcycle is required for this installation and is available from a Harley-Davidson Dealer.

Kit Contents

See Figure 1 and Table 1.

INSTALLATION

1. Refer to the Service Manual and follow the instructions given to remove the original air cleaner cover. Remove the rubber seal from around the edge of the original cover and set aside for installation to the new cover. Discard the cover and attaching hardware.
2. **With the stock air cleaner:** Obtain the new ribbed air cleaner cover (1) and the two **shorter** screws (2) from the kit. Re-install the cover seal, saved from Step 1, onto the new air cleaner cover. To ensure proper sealing, make sure the seal is in place around the entire edge of the air cleaner cover. Insert the screws through the air cleaner cover holes. **With Screamin' Eagle® Sportster High-Flow Air Cleaner Kit (29042-04):** Obtain the new ribbed air cleaner cover (1), two spacers (4) and the two **longer** screws (3) from the kit. Insert the screws through the air cleaner cover holes. Remove the liner from the adhesive backing on the Nylon spacers, and place the spacers over the screw threads with the notches positioned as shown.
3. Install the air cleaner cover, aligning the screws with the threaded holes of the filter element face plate. With the stock air cleaner: Make sure the air cleaner seal fits inside the backplate and is not pinched or distorted.
4. Tighten the screws to 36-60 **in-lbs** (4.07-6.8 Nm).

SERVICE PARTS

is02497

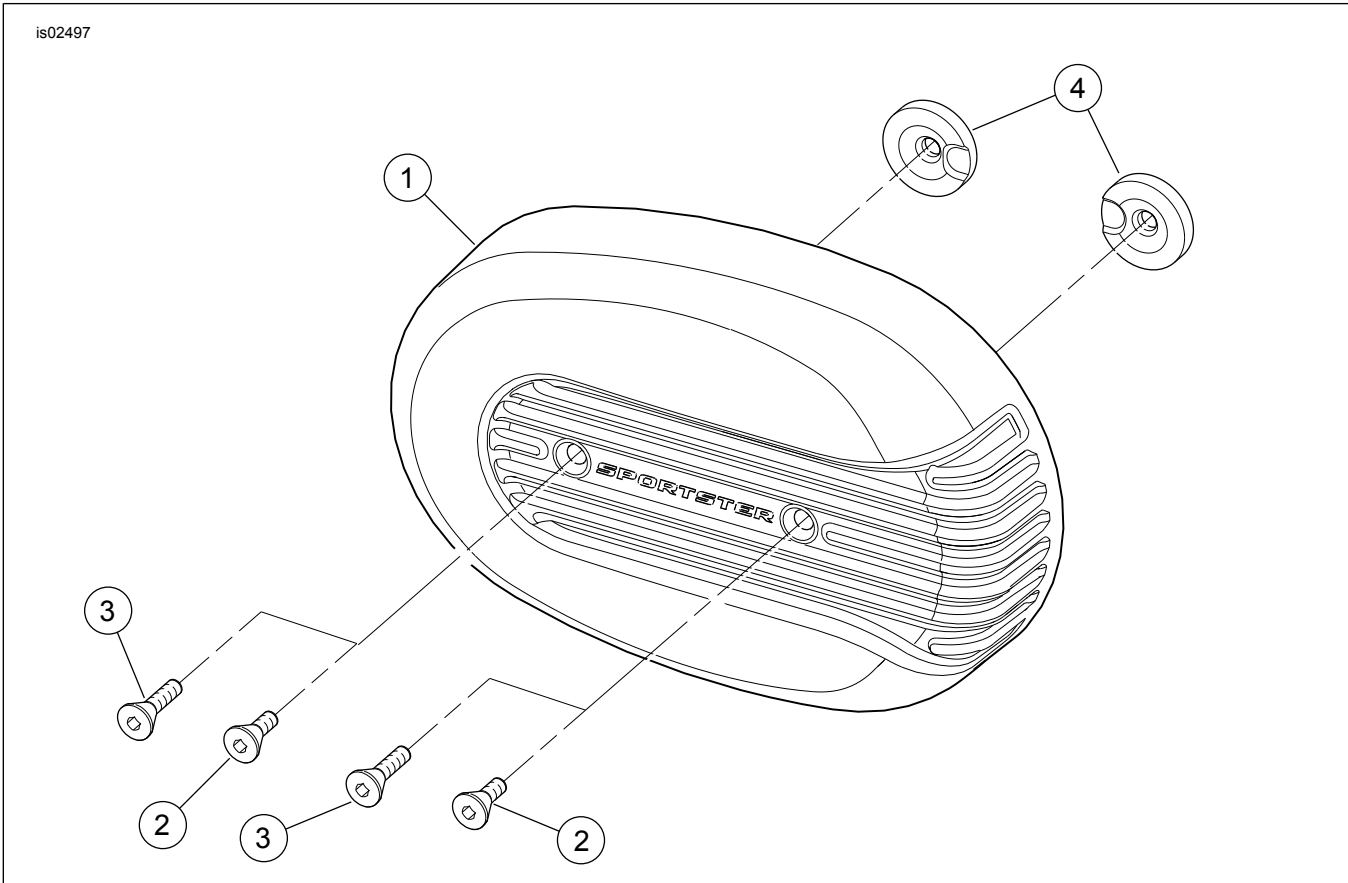


Figure 1. Service Parts: "Sportster" Ribber Air Cleaner Cover

Table 1. Service Parts Table

Item	Description (Quantity)	Part Number
1	Cover, air cleaner (ribbed)	Not Sold Separately
2	Screw, flat head, (Chrome), 5/16-18 x 1/2 inch (2)	3381
3	Screw, flat head, (Chrome), 5/16-18 x 3/4 inch (2)	3382
4	Spacer, Nylon (2)	Not sold separately