



INSTRUCTIONS

-J03051

6-16-2003

Kit Number 29643-04

2004 XL AIR CLEANER COVER INSERT

General

This kit **29643-04** is designed for installation on 2004 XL model motorcycles.

NOTE

See *Service Parts Illustration* below for a list of the items contained in this kit.

Installation

1. See Figure 1. Remove and discard existing screws. Remove and discard original insert from front of air cleaner cover.
2. See *Service Parts Illustration*. Install the new air cleaner cover insert as shown:
 - Place the new insert (1) on the front of the air cleaner cover, matching the holes with the screws (2) or (3). The shorter screws (2) are installed with the stock air cleaner assembly. The longer screws (3) are installed when using the Screamin' Eagle air cleaner high flow kit **29042-04**.
 - Tighten the screws to **36-60 in-lbs** (4.1-6.8Nm).

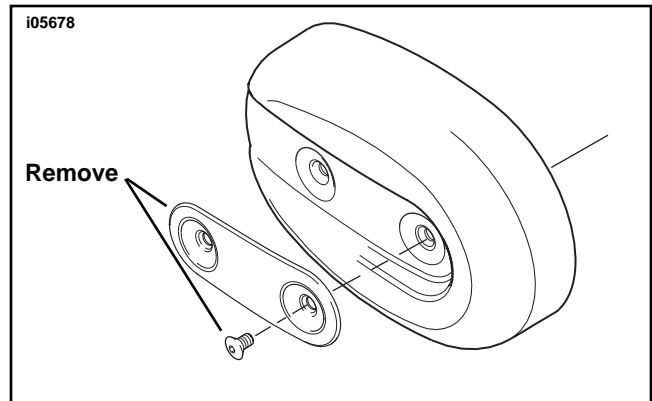


Figure 1. Remove existing screws and insert



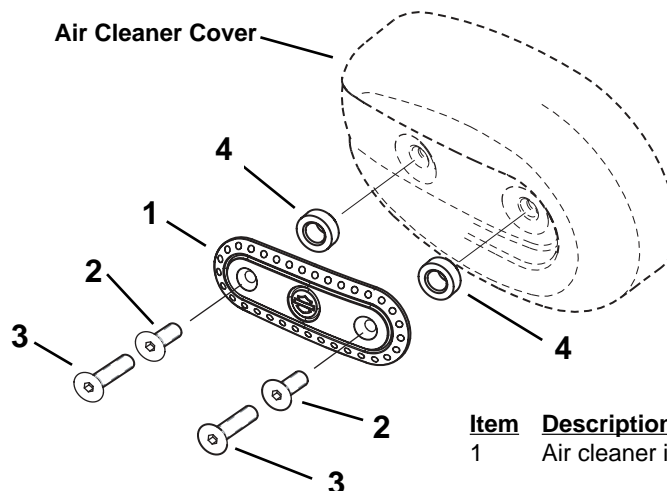
Service Parts

Part Numbers 29643-04

Date 6/03

Air Cleaner Insert Kit

i05679a



Item	Description	Part Number
1	Air cleaner insert (1)	Not sold separately
2	Screw, 5/16-18 x 7/8 in-lg (2)	2406
3	Screw, 5/16-18 x 1-3/8 in-lg (2)	2466
4	Spacer, special aluminum	5838