



INSTRUCTIONS

-J03025

REV. 7-22-03

Kit Number 27689-04

SCREAMIN' EAGLE PERFORMANCE INTAKE MANIFOLD KIT

General

This Kit is designed for use with the stock 40mm CV, Screamin' Eagle 44mm CV or Screamin' Eagle 42mm Flatslide carburetors on 2004 and later XL models.

See Service Parts Illustration for kit contents.

CAUTION

This Screamin' Eagle performance intake manifold kit is intended for high-performance applications only. This engine-related performance part is not legal for use on pollution-controlled motor vehicles. Use of this Screamin' Eagle intake manifold may reduce or void the Limited Warranty coverage. Engine related performance parts are intended for the experienced rider only.

WARNING

The rider's safety depends upon the correct installation of this kit. Follow the procedures listed in this instruction sheet and in the appropriate Service Manual. If the procedures are not within your capabilities, or if you do not have the correct tools, have your Harley-Davidson Dealer perform the installation. Failure to follow instructions could result in death or serious injury.

CAUTION

Read this entire Instruction Sheet before beginning. If any procedures are not within your capabilities, or you do not have the correct tools, have your Harley-Davidson Dealer perform the installation.

NOTE

A Service Manual for your motorcycle is available from your Harley-Davidson Dealer.

Refer to the applicable Harley-Davidson Service Manual for detailed instructions to remove necessary components.

Installation

1. Remove air cleaner, carburetor, and manifold according to Service Manual instructions.
2. Remove the MAP sensor and the manifold flanges from the stock intake manifold.
3. Position clip in the slot on MAP sensor and install TORX screw in the new Screamin' Eagle Manifold. Tighten screw to 25-30 in-lbs (2.8-4.0 Nm).

NOTE

The flanges are marked F (front) and R (rear). These letters designate to which cylinder head the flange should be bolted.

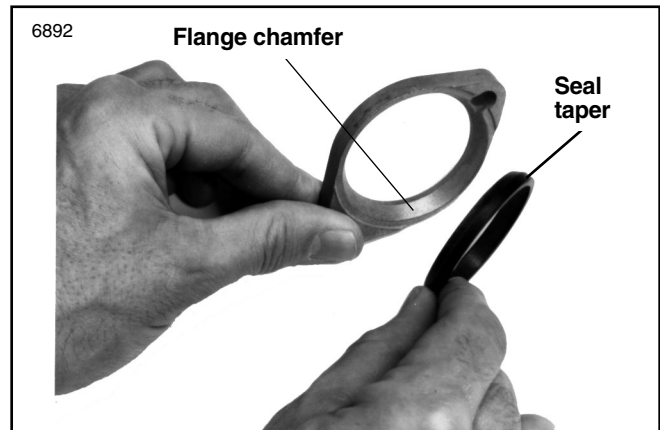


Figure 1. Relationship of Flange and Tapered Seal

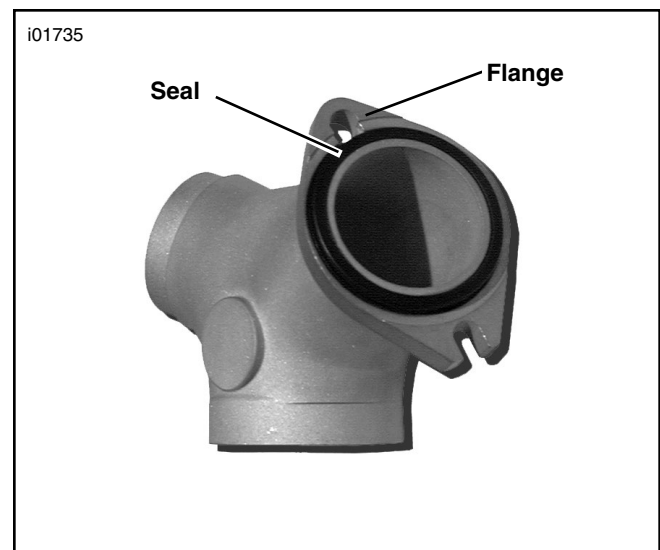


Figure 2. Flange and Tapered Seal installed

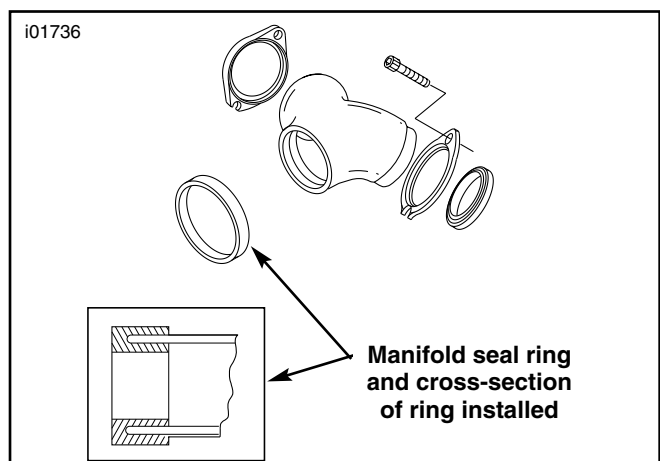


Figure 3. Manifold Assembly (typical)

4. See Figures 1, 2 and 3. Assemble the manifold as follows:

- With the carburetor mounting spigot facing you and the map sensor mounting hole facing up, the "F" flange goes on the right side of the manifold and the "R" flange goes on the left.
- The flanges have a chamfer and the seals are tapered to fit into the chamfer. Place the flanges on the manifold so the chamfer faces outward. Install seal rings.

NOTE

The slotted bolt holes of the manifold flanges are positioned to the bottom bolt holes of the cylinder head intake ports.

5. Position the manifold assembly to the intake ports of the cylinder heads. Install the socket head screws and washers. Do not tighten at this time.

NOTE

For 44mm CV carburetors, use Gray Manifold Seal Ring. For 40mm CV and 42mm Flatslide carburetors, use Brown Manifold Seal Ring .

6. Plug connector into MAP sensor.
7. Install the carburetor and air cleaner. Refer to the Instruction Sheet included with the Carburetor and Air Cleaner Kit, Support Bracket/Adapter Kit or applicable Service Manual.
8. Tighten all screws.



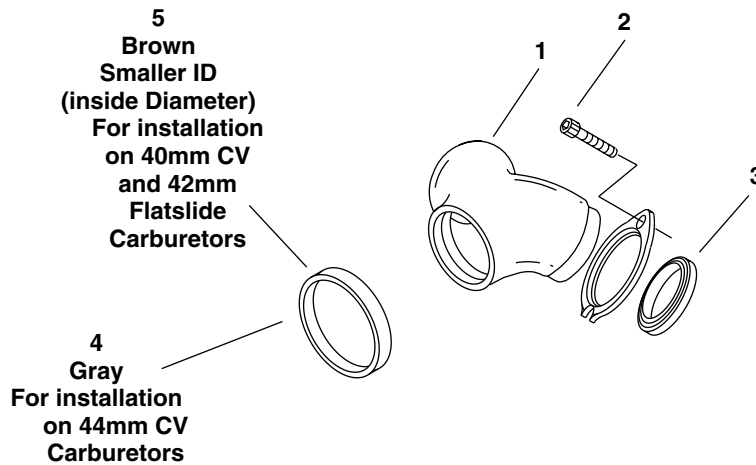
Service Parts

Part No. 27689-04

Date 7/03

SE Performance Intake Manifold Kit

i05913



Item	Description	Part No.
1	Manifold, intake	Not sold
2	Screw, hex socket head (4)	3201WA
3	Seal (2)	26995-86B
4	Manifold seal ring, gray (44mm CV)	29639-99
5	Manifold seal ring, brown (40mm CV and 42mm Flatslide)	27642-00
	Washers (4) (Not Shown)	6771A