



INSTRUCTIONS

-J03024

2013-11-01

2004 XL AIR CLEANER COVER INSERT

GENERAL

Kit Numbers

29823-04, 29824-04

Models

For model fitment information, see the P&A retail catalog or the Parts and Accessories section of www.harley-davidson.com (English only).

NOTE

See Service Parts Illustration below for a list of the items contained in this kit.

INSTALLATION

1. See Figure 1. Remove and discard existing screws. Remove and discard original insert from front of air cleaner cover.
2. See Figure 2. Install the new air cleaner cover insert as shown: Place the new insert (1) on the front of the air cleaner cover, matching the holes and install it with the screws (2) or (3). The longer screws (3) are installed when using the Screamin Eagle air cleaner high flow kit 29042-04. The shorter screws (2) are installed with the stock air cleaner assembly. Tighten the screws to 36-60 in-lbs (4.1-6.8Nm).
3. Adjust mirror for proper field of vision and tighten acorn nut to 12 ft-lbs (16 Nm). Check mirror adjustment and readjust if necessary.

SPECIAL CARE INSTRUCTIONS

These Air Cleaner Inserts are chrome plated, with paint filled accents and gold plated.

To keep this surface in best condition, lightly wipe with a Harley-Davidson Micro Fiber cloth, part number 94663-02, using clear water or a mild Harley-Davidson cleaner such as:

- Sunwash (part number 94659-98)
- Bug Remover (part number 94657-98)
- Harley Gloss (part number 94627-98).

NOTE

These cleaners are available separately or as part of the Harley Care Starter Kit, part number 94671-99 from any Harley Davidson Dealer.

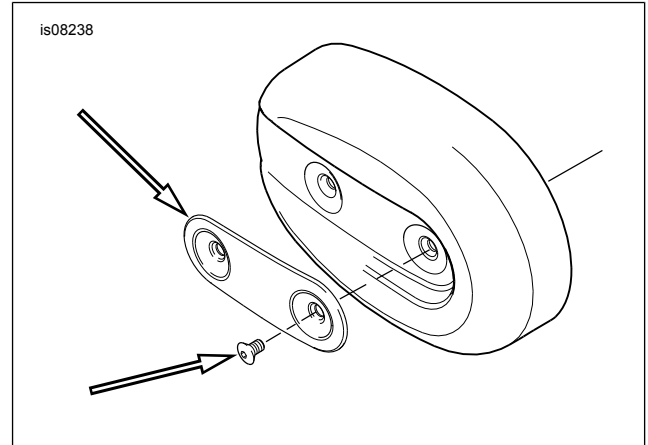


Figure 1. Remove Existing Screws and Insert

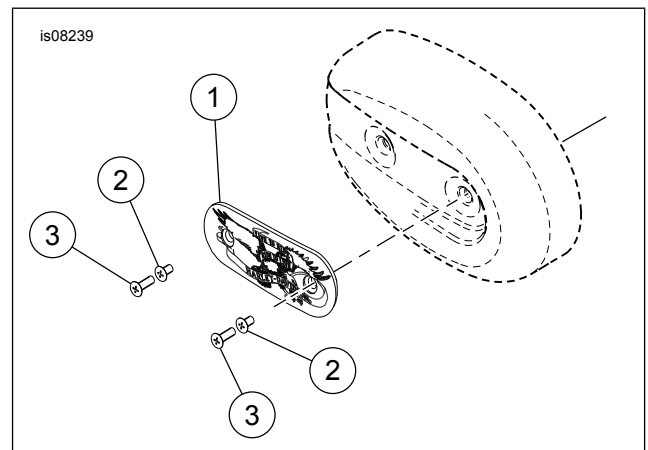


Figure 2. Service Parts

Table 1. Service Parts

Item	Description (Quantity)	Part Number
1	Air cleaner insert (1)	Not sold separately
2	Screw, 5/16-18 x 3/4 in-lg (2)	29825-04
3	Screw, 5/16-18 x 1-1/4 in-lg (2)	29847-04

