



INSTRUCTIONS

-J02999

REV. 06-30-03

Kit Numbers 80423-04, 80424-04

SPORTSTER SE II SLIP-FIT MUFFLER KITS

General

These kits are designed for use on 2004 and later XL model motorcycles.

Kit Contents:

ITEM	DESCRIPTION	PART NO.
1	Slash Down	80423-04
2	Baloney Cut	80424-04
3	Gaskets (2)	65927-00

CAUTION

These Muffler Kits are intended for high-performance racing (OFF ROAD USE) applications only. Use of these kits may reduce or void the vehicle's Limited Warranty coverage. Motorcycles modified with some performance engine parts must not be used on public roads and in some cases may be restricted to closed-course competition. These kits are not legal for sale or use in California on any pollution-controlled motor vehicles. Alterations of emission related components constitutes tampering under USEPA guidelines and can lead to substantial fines and penalties.

Not legal for use on catalyst equipped models.

See Service Parts Page for contents of kits.

WARNING

The rider's safety depends on the correct installation of this kit. USE THE APPROPRIATE SERVICE MANUAL PROCEDURES. If the procedure is not within your capabilities or if you do not have the correct tools, have your Harley-Davidson Dealer perform the installation. Improper installation of this kit could lead to an accident and result in death or serious injury.

NOTES

A Service Manual is available from your Harley-Davidson Dealer.

New muffler clamps are required for installation of this kit (Part No. 65283-94).

Installation

WARNING

To prevent accidental vehicle start-up, which could cause death or serious injury, disconnect negative (-) battery cable before proceeding.

1. Disconnect negative battery cable according to the applicable Service Manual.

CAUTION

Perform this installation when the engine is cool. Installing these mufflers when the engine is hot could cause burns which could result in moderate to minor injury.

2. Remove mufflers using appropriate Service Manual instructions.
3. Discard gaskets and mufflers.
4. Slip new muffler clamps on mufflers (Part No. 65283-94).
5. Loosely attach mufflers to the interconnect tube using existing screws and washers.
6. Position the ends of the front and rear exhaust pipes into front and rear cylinder heads, with gaskets from kit, and align exhaust system while tightening all nuts and bolts: begin at the cylinder head exhaust ports and work back toward the mufflers.
 - a. Finger tighten the upper nuts to the mounting studs.
 - b. Tighten the lower nut to 9-18 in-lbs (1.0-2.1 Nm).
 - c. Tighten the upper nut to 60-80 in-lbs (6.8-9.0 Nm).
 - d. Tighten the lower nut to 60-80 in-lbs (6.8-9.0 Nm).
7. Tighten the acorn nut on the rear exhaust pipe support clamp to 15-19 ft-lbs (20.3-25.8 Nm).
8. Tighten muffler clamps to 45-60 ft-lbs (20.3-25.8 Nm).
9. Reconnect negative battery cable according to the applicable Service Manual.

CAUTION

After installation, wipe all fingerprints of system. Failure to thoroughly clean system will result in oil from hands burning permanently into exhaust system, leaving marks impossible to remove.

10. Wipe chrome exhaust system surfaces clean of all fingerprints. Skin oils will burn permanently into the chrome finish.



Service Parts

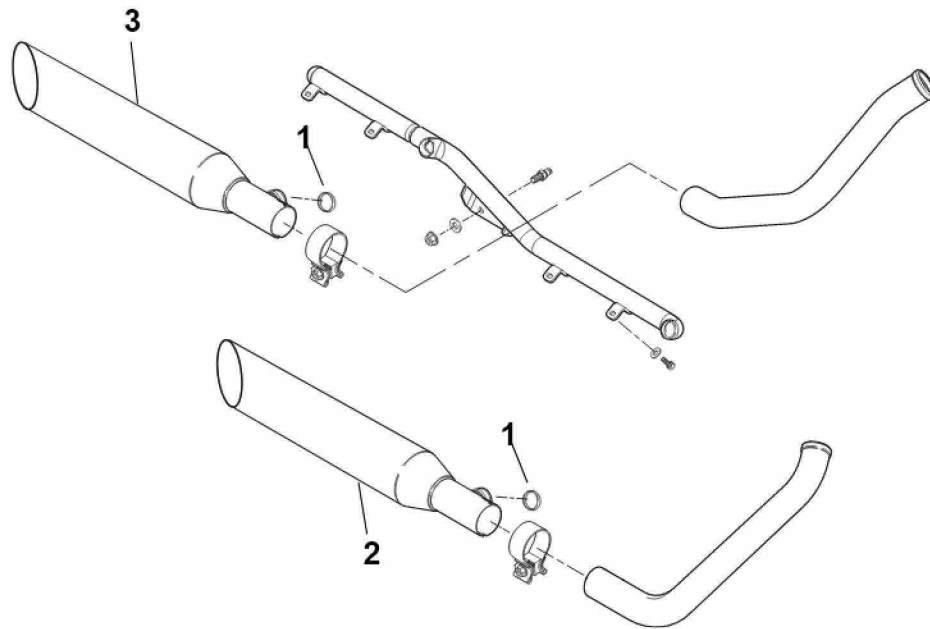
Part No. 80423 & others

Date 6/03

Kit, Muffler, Slip Fit

Kits 80423-04 and 80424-04:

i05834



Kits 880423-04 and 80424-04:

<u>Item</u>	<u>Description</u>	<u>Part Number</u>
1	Gasket (2)	65927-00
2	Muffler front	
	Slash down	80425-04
	Baloney Cut	80440-04
3	Muffler rear	
	Slash down	80439-04
	Baloney Cut	80441-04