



INSTRUCTIONS

-J02992

REV. 09-09-03

Kit Number 69178-04

PREMIUM HORN KIT

General

This kit is designed for installation on 2004 and later XL1200C (Custom) Model Motorcycles.

When installing this kit with Sportster Voltage Regulator cover, part number 74609-04, refer to the instruction sheet (J02932) included with that kit for horn relocation.

See Service Parts Illustration for a list of kit contents.

WARNING

The rider's safety depends on the correct installation of this kit. **USE THE APPROPRIATE SERVICE MANUAL PROCEDURES.** If the procedure is not within your capabilities or if you do not have the correct tools, have any Harley-Davidson Dealer perform the installation. Improper installation of this kit could lead to an accident and result in death or serious injury.

NOTE

A Service Manual for your motorcycle is available from any Harley-Davidson dealer.

Installation

WARNING

To prevent accidental vehicle start-up, which could cause death or serious injury, disconnect battery cables (negative cable first) before proceeding.

WARNING

Disconnect negative (-) battery cable first. If positive (+) cable should contact ground with negative (-) cable connected, the resulting sparks can cause a battery explosion, which could result in death or serious injury. (00049a)

1. Refer to the Service Manual and follow the instructions given to remove the seat and disconnect the battery cables, negative(-) cable first. Retain all seat mounting hardware.
2. Follow instructions in applicable Service Manual and remove fuel tank.
3. See Figure 1. and Figure 2. Loosen nuts on the Ignition Control Module and tip the module out of the way to gain access to the B+ Connector.
4. See Figure 3. Remove left side cover from frame and set aside.

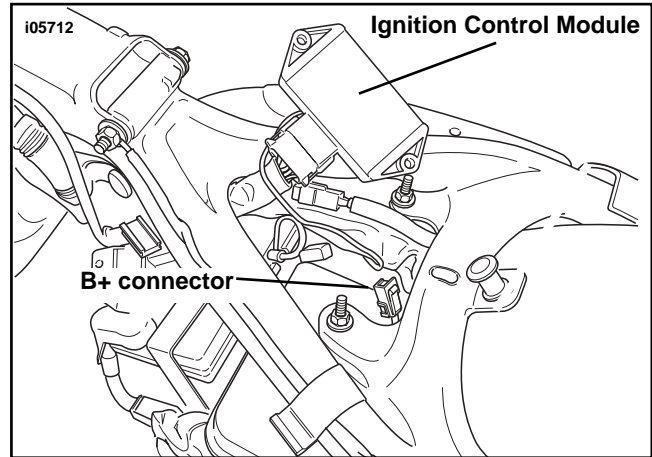


Figure 1. Ignition Control Module

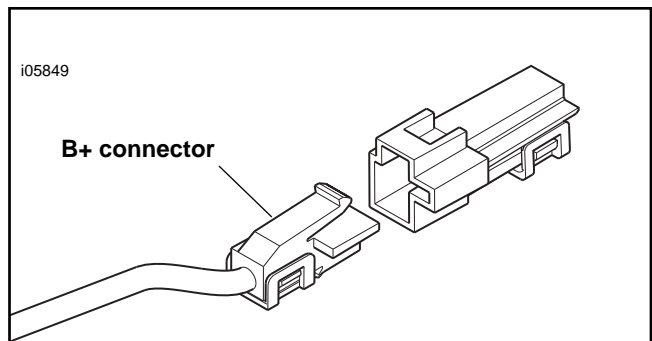


Figure 2. B+ Connector located under ICM

5. See Service Parts Illustration and Figure 3. Obtain the Wiring Harness (10) from the kit. Insert the Electrical Connector Housing (11) into the B+ Connector in the harness on the motorcycle. Re-install the Ignition Control Module. Tighten nuts securely.

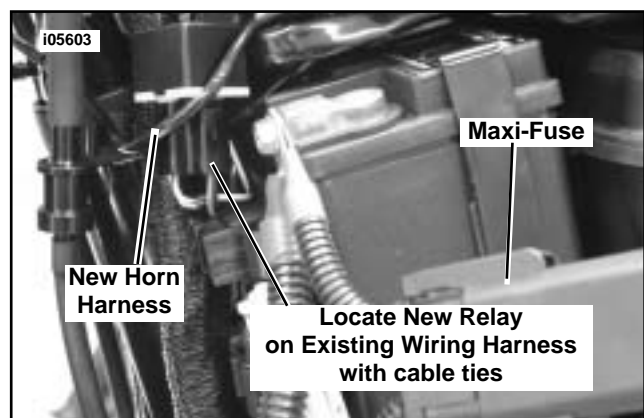


Figure 3. Remove Side Cover

6. See Figure 3. Begin routing new horn wiring harness upward between frame backbone and along left side of main harness toward front of bike.
7. Using cable straps from kit, secure new wire harness relay to main harness in vertical position as shown.
8. Remove lower screw that fastens the metal strap on the side of the battery. Place ring terminal on the black wire from the wire harness over the screw and tighten the screw securely.
9. See Figure 4. Continue routing harness toward front of bike then perform the following:
 - a. Start at the existing horn and trace the path of existing horn harness up to approximate center of tank mount under frame.
 - b. Carefully cut the conduit from the existing horn harness exposing yellow/black wire.
 - c. Locate and cut the yellow/black wire. Strip the wire ends and obtain the sealed butt splice connector from kit. Follow instructions in applicable Service Manual and splice the yellow/black from the new horn harness to the yellow/black of the existing harness.
10. Continue to route terminal end of horn harness forward and down behind the two front frame downtubes.
11. Follow routing back and using cable straps, secure new harness to frame at various places along path.

Assemble Horn

12. See Figure 6. At frame upper engine mount (between downtubes), remove the two bolts, two washers securing the engine mounting bracket to the frame crossmember. Save bolts, washers for installation.
13. See Service Parts Illustration and Figure 6. Obtain the horn frame bracket (2) from kit. Install horn frame bracket under upper front engine mounting bracket tie link as shown. Install bolts (with washers) through horn frame bracket, upper front engine mounting bracket, and into frame crossmember. Tighten bolts to 25-30 ft-lbs (34-41 Nm).

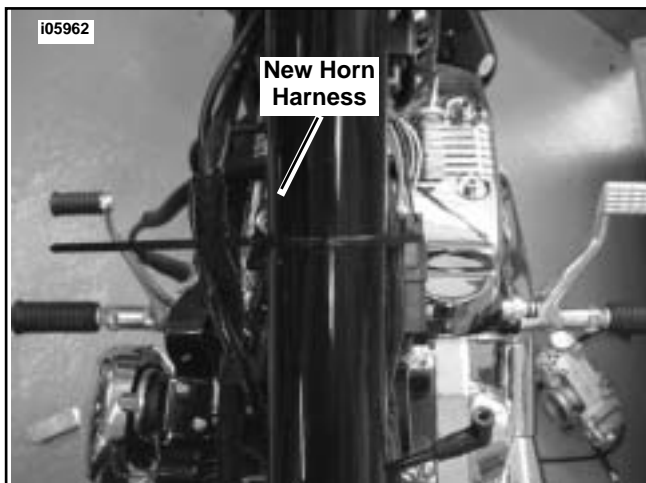


Figure 4. Route Harness to New Horn Location

14. See Service Parts Illustration. Obtain the horn (7), two horn brackets (6) and metric flange nut (5) from kit. Sandwich the two brackets together and orient brackets with three mounting holes toward the top and lower hole over horn stud. Make sure horn terminals are at the top of the horn. Place a few drops of Loctite® 243 (blue) on threads of flange nut and and fasten bracket to horn. Tighten to 110 **in-lbs** (12.4 Nm).
15. Obtain three screws (4) and three well nuts (3) from kit. Orient the well nuts as shown and push into bracket. Install three screws through horn bracket and into well nuts. Tighten screws to 6-9 **in-lbs** (.7-1 Nm) making sure well nuts expand thoroughly and secure horn bracket to frame bracket.

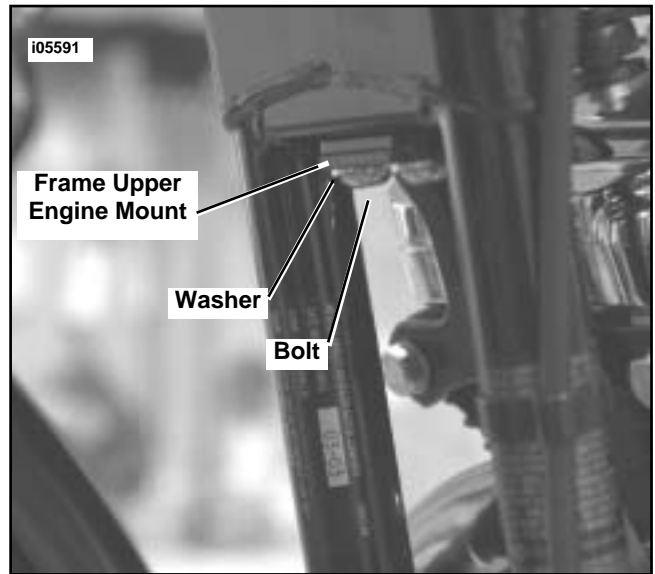
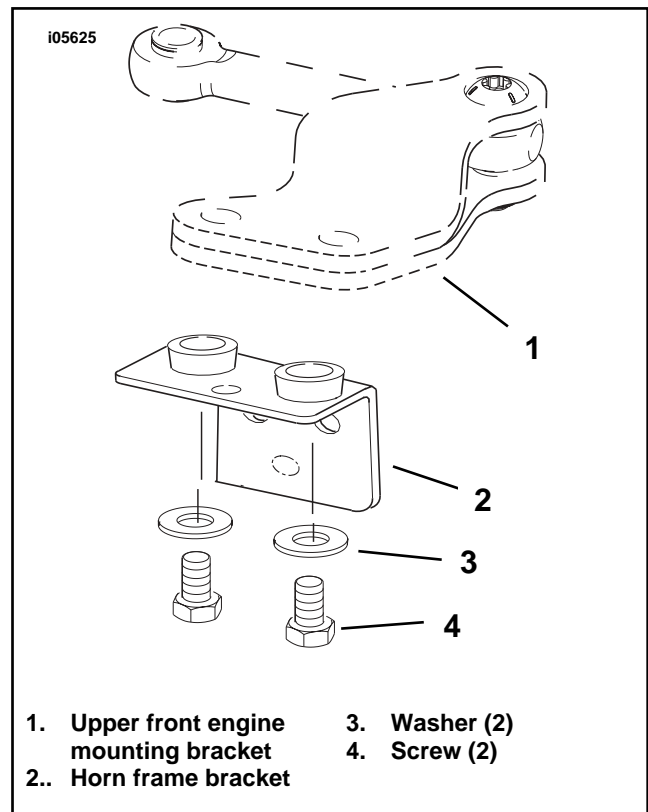


Figure 5. Remove Upper Front Engine Mount Hardware



- | | |
|--|---------------|
| 1. Upper front engine mounting bracket | 3. Washer (2) |
| 2.. Horn frame bracket | 4. Screw (2) |

Figure 6. Install Horn Frame Bracket

16. See Service Illustration and Figure 8. Obtain Ground Wire (1) from kit. Remove screw from the lower right side of lower front engine mounting bracket. Secure ring terminal of ground wire to bracket. Tighten to 25-30 ft-lbs (34-41 Nm).
17. Attach black (ground) flag terminal to right horn spade terminal. Attach new wire harness flag terminal (black/yellow wire) to left horn spade terminal. Secure wires to frame using remaining cable straps.

18. Follow instructions in applicable Service Manual and reinstall fuel tank.

⚠ WARNING

Connect positive (+) battery cable first. If positive (+) cable should contact ground with negative (-) cable connected, the resulting sparks can cause a battery explosion, which could result in death or serious injury. (00068a)

19. Reconnect battery cables, positive (+) cable first.
20. Follow instructions in Service Manual and install seat.

⚠ WARNING

After installing seat, pull upward on front of seat to be sure it is in locked position. While riding, a loose seat can shift causing loss of control, which could result in death or serious injury. (00070a)

21. Test horn for proper operation.

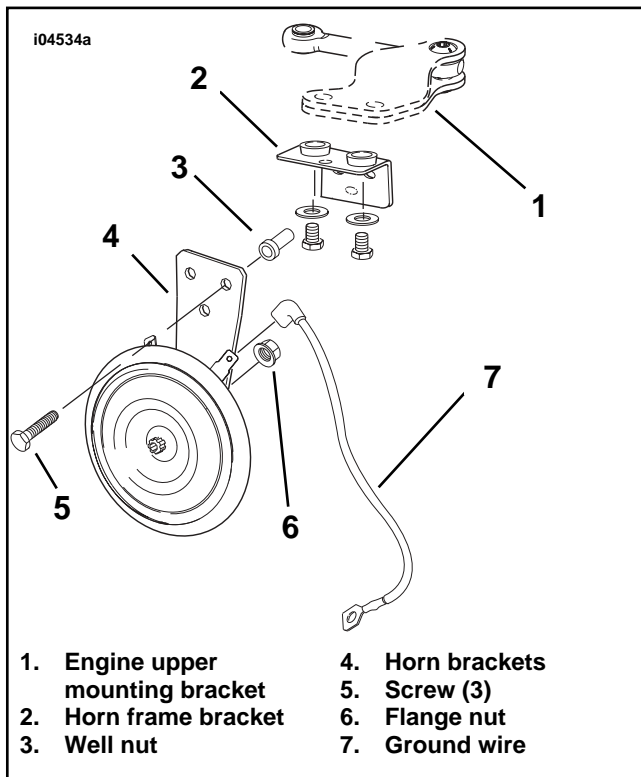


Figure 7. Install Horn Assembly

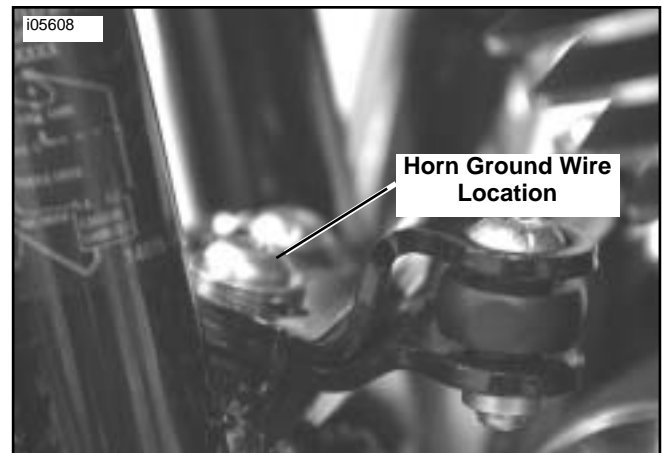


Figure 8. Ground Wire Installation Point



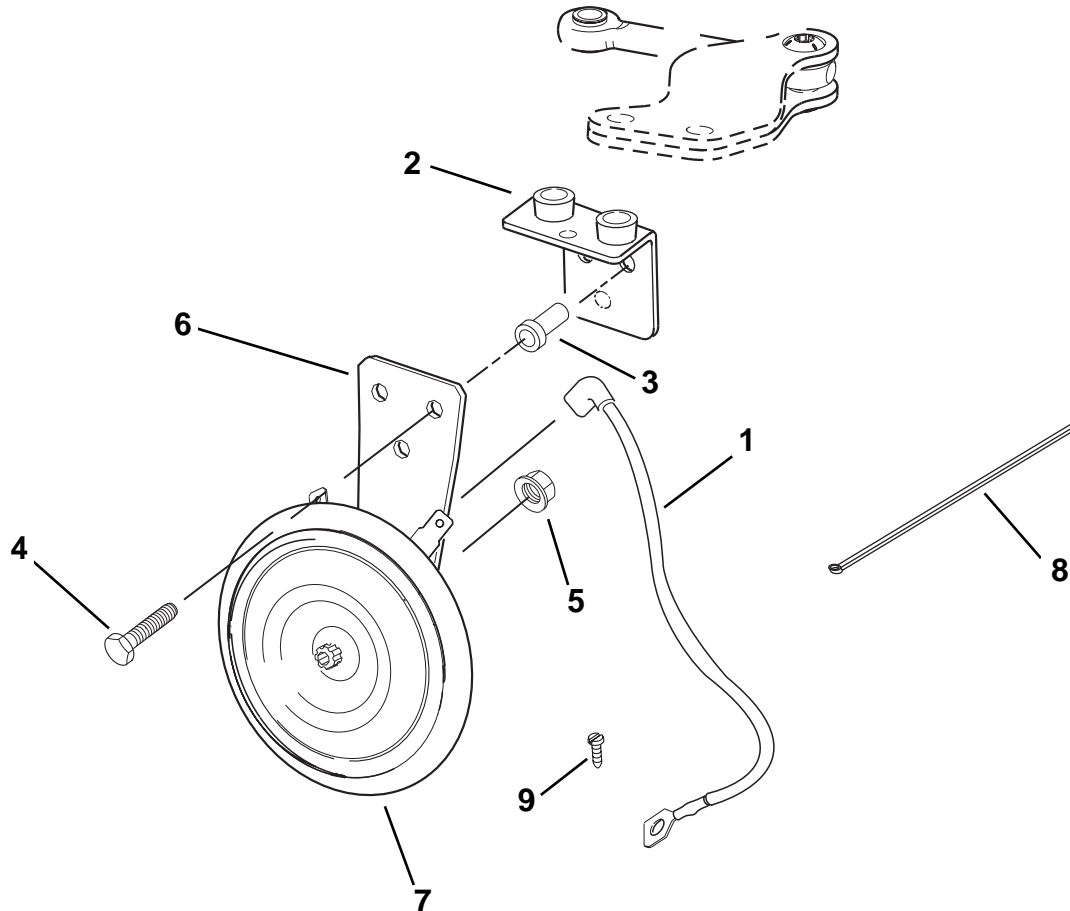
Service Parts

Part No. 69178-02

Date 9/03

Premium Horn Kit

i04535a



Item	Description (Qty)	Part. Number	Item	Description (Qty)	Part. Number
1	Ground wire	70068-96	7	Horn	69056-99
2	Bracket, horn frame	69135-04	8	Strap, cable (4)	10065
3	Well nut (3)	8098	9	Screw, self tapping #10	4104
4	Screw (3)	3606	10	Wire harness (not shown)	71094-04
5	Nut, metric hex, flange	7495	11	Connector, butt splice (not shown)	70586-93
6	Bracket, horn (2)	69058-99			