



INSTRUCTIONS

-J02819

REV. 07-24-2003

Kit Number 70270-04

ACCESSORY ADAPTER HARNESS KIT

General

This adapter harness fits all 2004 and later XL, Dyna, Softail and Touring model motorcycles. It allows the connection of up to three powered accessories to the motorcycle.

CAUTION

It is possible to overload your motorcycle's charging system by adding too many electrical accessories. If your combined electrical accessories operating at any one time consume more electrical current than your vehicle's charging system can produce, the electrical consumption can discharge the battery and cause vehicle electrical system damage. See a Harley-Davidson dealer for advice about the amount of current consumed by additional electrical accessories, or for necessary wiring changes. (00211b)

See the Service Parts illustration for kit contents.

Installation

1. Refer to the Owner's Manual and follow the instructions given to remove the seat. Locate the B+ (battery positive) connector [160B] under the seat (a Red wire with an unused Gray connector). On some models, the connector will need to be moved out from its position, hidden under the ignition module.

If no accessories are already using the B+ connector, remove the empty terminal housing protecting the connector from accidental electrical contact.

2. See the Service Parts illustration. Obtain the adapter harness (1) from the kit. Note that three of the four connector housings are identical. Plug the fourth (unique) connector housing into the B+ connector.

3. Plug the accessory or accessories requiring power into the available connectors on the kit harness.

4. **If connecting two accessories:** If not already attached, obtain the loose electrical terminal housing (2) from the kit, and install it onto the remaining open connector to protect against accidental electrical contact.

If connecting three accessories: The third electrical connection may be protected by an empty housing (2) to protect against electrical contact. Remove the connector housing and set aside in order to connect the accessory.

For more than three accessories: Additional accessory adapter harnesses can be connected in series. Do not overload your motorcycle's charging system.

CAUTION

When positioning the harness, make sure wires are clear of sharp edges or moving parts to avoid cutting or pinching and possible short circuit.

5. Position the adapter harness, B+ connector and ignition module, and secure as needed to prevent damage from sharp edges, and the seat pan or other moving parts.
6. Refer to the Owner's Manual and follow the instructions given to install the seat.

WARNING

After installing seat, pull upward on front of seat to be sure it is in locked position. While riding, a loose seat can shift causing loss of control, which could result in death or serious injury. (00070a)



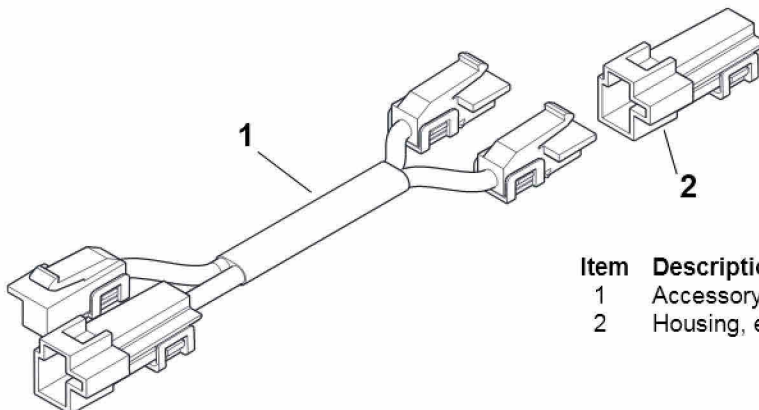
Service Parts

Part No. 70270-04

Date 07/03

Accessory Adapter Harness Kit

i05828



Item	Description (Quantity)	Part No.
1	Accessory adapter harness	70277-04
2	Housing, electrical terminal	72100-04