



INSTRUCTIONS

-J02780

REV. 02-05-2003

Kit Number 27524-02

SCREAMIN' EAGLE® SUPER BORE 51 MM CV CARBURETOR REBUILD KIT

General

This kit is designed for use on Screamin' Eagle® Super Bore 51mm CV carburetor, Part Number 27926-02.

Additional jets and needles for tuning are included in Screamin' Eagle Super Bore 51mm CV Tuner Kit (Part Number 27432-02), available separately.

CAUTION

Harley-Davidson® motorcycles equipped with some Screamin' Eagle® high-performance engine parts may not be used on public roads and in some cases must be restricted to closed course competition.

This engine related performance part is intended for racing applications and is not legal for sale or use in California on pollution controlled motor vehicles.

Engine related performance parts are intended FOR THE EXPERIENCED RIDER ONLY.

Kit Contents

See the Service Parts illustration on the last page of these instructions for kit contents.

NOTE

Refer to the applicable Service Manual for detailed instructions for removing necessary components. A Service Manual for your model motorcycle is available from any Harley-Davidson dealer.

⚠ WARNING

Do not smoke or allow open flame or sparks near gasoline. Gasoline is extremely flammable and highly explosive, which could result in death or serious injury.

Removal

For removal procedures refer to the "Fuel System" section in a 1999 or later Service Manual for Carbureted Twin Cam model motorcycles.

Reassembly

This Super Bore carburetor uses many of the same parts and rebuilding procedures as stock 1999 and later CV Carbureted models. Refer to the "Fuel System" section of a 1999 or later Twin Cam Service Manual for Super Bore carburetor reassembly procedures.

Installation

For installation refer to the "Fuel System" section in a 1999 or later Service Manual for Carbureted Twin Cam model motorcycles.

Also, refer to the instructions found in Screamin' Eagle Super Bore 51 mm CV Carburetor Kit (Part Number 27926-02).



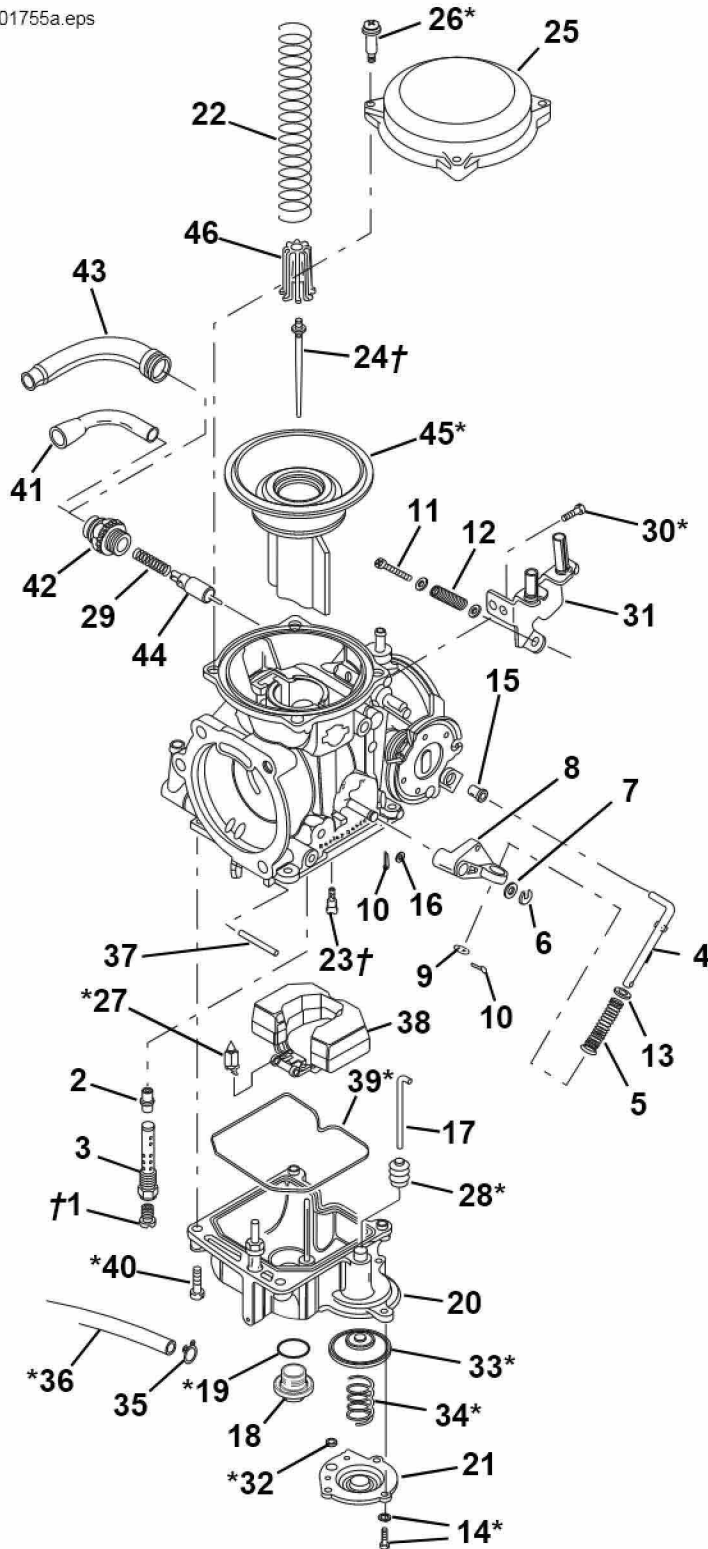
Service Parts

Kit No. 27524-02

Date 02/03

51mm Super Bore CV Carburetor Rebuild Kit

i01755a.eps



Item	Description	Part No.
1†	Main Jet, #230	27776-99†
2	Needle jet	27743-03
3	Needle jet holder	27056-03
4	Rod	27122-89
5	Spring	27123-89A
6	E-clip	27124-89
7	Washer	27125-89
8	Lever	27126-89
9	Washer	27127-89
10	Pin (2)	27128-89
11	Idle screw	27130-90
12	Spring	27136-90
13	Washer	27137-81
14*	Screw w/ washer (3)	27146-89
15	Collar	27147-89
16	Washer	27148-89
17	Rod	27156-89
18	Plug, bowl	27744-03
19*	"O"-ring, bowl plug	27556-03
20	Float chamber assembly	27055-03
21	Pump housing	27260-00
22	Spring (200/290 gram)	27162-89
23†	Slow jet, #48	27165-90†
24†	Jet needle, #NDKS	27742-03†
25	Top, carburetor	27740-03
26*	Screw, Top (4)	27262-96
27*	Valve w/clip	27886-78A
28*	Boot, accelerator top	27311-76
29	Spring	27315-88A
30*	Screw (2)	27317-88
31	Bracket, throttle cables	27741-03
32*	"O"-ring (2)	27360-76
33*	Diaphragm, accelerator pump	27361-76A
34*	Spring, diaphragm	27362-76
35	Clip, overflow hose	27368-76
36*	Hose, overflow w/clip	27553-99
37	Pin	27575-88A
38	Float	27576-92
39*	"O"-ring, float chamber	27577-92
40*	Screw (4)	27579-88A
41	Cable guide	27580-88
42	Starter cap	27581-88
43	Cable sealing cap	27582-88
44	Starter valve	27583-88
45*	Vacuum piston	Not sold
46	Spring seat	27586-88

NOTE:

"Bold" items marked with an asterisk (*) are included in this Rebuild Kit (Part Number 27524-02).

For "Italic" items marked with a dagger (†), several variations are included in Tuner Kit (Part Number 27432-02).

All other items are for illustration purposes only. Service Parts have a Harley-Davidson Part No. listed.