



INSTRUCTIONS

-J02103

REV. 8-9-00

Kit Number 25467-94

XLH PRIMARY COVER HARDWARE KIT

General

This kit consists of primary cover hardware applicable to 1991-1993 XL Model Motorcycles.

NOTE

Refer to the Service Parts Illustration for Part Numbers and Location of Kit hardware components.



Service Parts

Part No. 25467-94

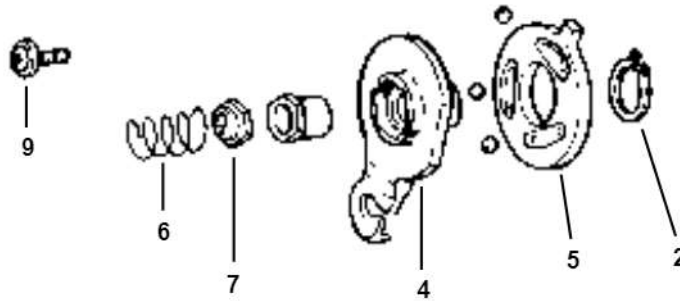
Date 8/00

XLH Primary Cover Hardware Kit

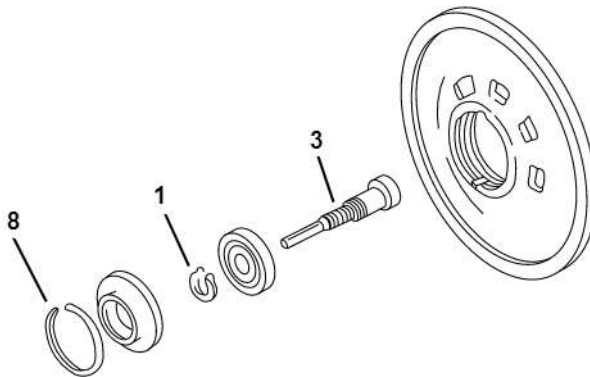
i03214.eps

NOTE

Only Numbered and Listed Parts are included in Kit. All Others Shown for Illustration Purposes Only



i00009.eps



Item	Description	Part Number	Item	Description	Part Number
1	Retaining ring,	11046	6	Spring	36715-94
2	Retaining ring, ramp	11250	7	Lock plate	36802-84B
3	Screw, clutch adjusting	11752	8	Ring, retaining (internal)	37908-90
4	Ramp, outer clutch	25409-94A	9	SEMS, buttonhead (4)	943
5	Ramp, stationary	25453-87A			