



# INSTRUCTIONS

-J01638

REV. 7-6-00

Kit Numbers 54571-94A and 54728-01

## XLH (SPORTSTER) Profile™ Low REAR SUSPENSION KIT & CHROME Profile™ REAR SUSPENSION KIT

### General

This kit is designed for 1991 and later XLH, Sportster model motorcycles **except** Hugger, XL Sport and 1996 and later XL Custom models. Can be used on 1999 and later XL Custom models however, the kit will raise the rear of the vehicle by approximately 1/2".

See Service Parts illustration for kit contents.

#### NOTE

A Service Manual for your vehicle is available from your Harley-Davidson dealer.

#### NOTE

Internal shock absorber components are not repairable beyond the Service Parts listed on this Instruction Sheet. Consult your Harley-Davidson dealer if further service is required.

### Removal / Installation / Adjustment (1991-1999 models)

#### WARNING

A SERVICE MANUAL IS NEEDED TO INSTALL THIS KIT. The rider's safety depends upon the correct installation of this kit. If the procedure is not within your capabilities or you do not have the correct tools, have your Harley-Davidson dealer perform the installation. Improper installation of this kit could result in death or serious injury.

#### WARNING

Installation of any accessory suspension components may affect cornering clearance. This could distract the rider, causing loss of control and death or serious injury.

#### CAUTION

### Shock Absorber Removal:

When changing shocks, remove and replace one shock, then the other. This will eliminate the need for raising and blocking the rear of the motorcycle. If it is necessary to remove both shocks at once, place the motorcycle on a center stand with the rear wheel raised off of the ground.

Refer to appropriate Service Manual when removing rear shock absorbers.

Retain original fasteners for installation of new shocks.

### Shock Absorber Installation:

1. See Figure 1 (1991 to 1999 models). Place shock absorber (1) upper end bushing on upper mounting stud (6).
2. Position bottom end bushing of shock absorber (1) against outboard side of rear fork mount. Place spacer (3) on lower bolt (2). Insert lower bolt (2) through shock absorber bottom bushing and rear fork mount. Apply 2-3 drops of Loctite® Threadlocker 242 (blue) to threads of bottom bolt (2). Place locknut (7) on bolt (2). Tighten locknut (7) to 30-50 ft-lbs (41-68 Nm).
3. Place beveled spacer (5) from kit on upper mounting stud (6), beveled side out. Apply 2-3 drops of Loctite® Threadlocker 242 (blue) to threads of stud (6). Place acorn nut (4) on stud (6) and tighten acorn nut (4) to 21-35 ft-lbs (28-47 Nm).
4. Repeat shock absorber removal and installation procedures for the other shock.

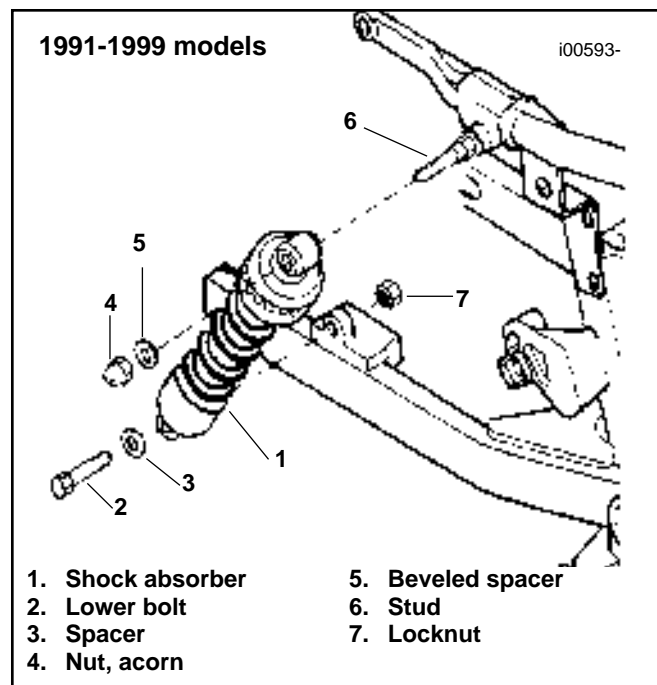


Figure 1. Rear Shock Absorber Installation  
(1991-1999 models)

## Shock Absorber Spring Compression Adjustment:

### ⚠ WARNING

Both shock absorber spring adjusting collars must be adjusted to the same position or vehicle handling may be adversely affected, which could result in death or serious injury.

#### NOTE

Adjust shock absorber spring compression to the weight the motorcycle will usually carry. Less compression for a lighter weight rider, more compression for a heavier rider.

1. Rotating the shock absorber preload adjusting collar will extend or compress shock absorber springs.

Turning the preload adjusting collar clockwise increases (compresses) spring preload, allowing a heavier load.

Turning the preload adjusting collar counter-clockwise decreases (releases) spring preload, allowing a lighter load.

2. Adjust both shock absorber springs to the same compression as determined by the marks on the adjusting collars. (See Service Parts diagram).

## Removal / Installation / Adjustment (2000 and later models)

### ⚠ WARNING

A SERVICE MANUAL IS NEEDED TO INSTALL THIS KIT. The rider's safety depends upon the correct installation of this kit. If the procedure is not within your capabilities or you do not have the correct tools, have your Harley-Davidson dealer perform the installation. Improper installation of this kit could result in death or serious injury.

### ⚠ WARNING

Installation of any accessory suspension components may affect cornering clearance. This could distract the rider, causing loss of control and could result in death or serious injury.

## Shock Absorber Removal:

When changing shocks, remove and replace one shock, then the other. This will eliminate the need for raising and blocking the rear of the motorcycle. If it is necessary to remove both shocks at once, place the motorcycle on a center stand with the rear wheel raised off of the ground.

Refer to appropriate Service Manual when removing rear shock absorbers.

Retain original fasteners for installation of new shocks.

## Shock Absorber Installation:

1. See Figure 2. Position bottom end bushing of shock absorber (1) against outboard side of rear fork mount. Place lower spacer (2) on lower bolt (3). Insert lower bolt (3) through shock absorber bottom bushing and rear fork mount. Apply 2-3 drops of Loctite® Threadlocker 242 (blue) to threads of bottom bolt (3). Place locknut (4) on bolt (3). Tighten locknut (4) to 30-50 ft-lbs (41-68 Nm).
2. Place top spacer (5) from kit on upper mounting bolt (6), beveled side out. Apply 2-3 drops of Loctite® Threadlocker 242 (blue) to threads of bolt (6). Install bolt through shock bushing and into threaded portion on frame. Tighten to 30-50 ft-lbs (41-68 Nm).
3. Repeat shock absorber removal and installation procedures for the other shock.

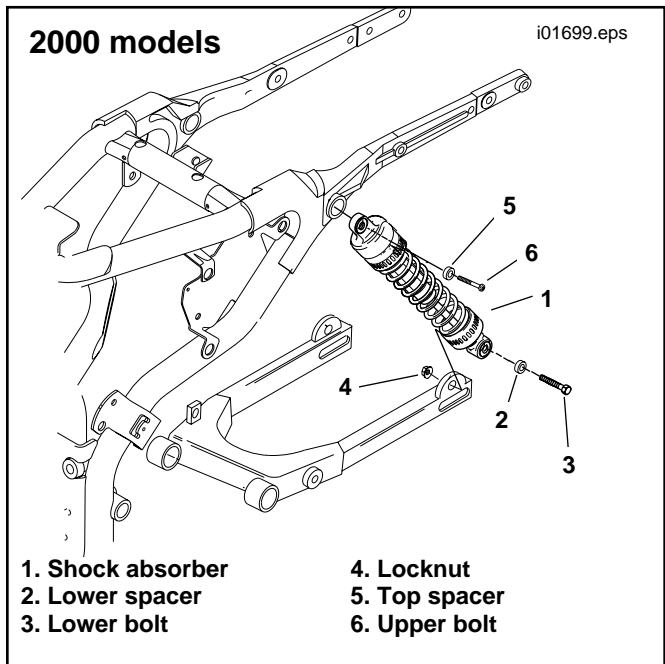


Figure 2. Rear Shock Absorber Installation (2000 models)

## Shock Absorber Spring Compression Adjustment:

### ⚠ WARNING

Both shock absorber spring adjusting collars must be adjusted to the same position or vehicle handling may be adversely affected, which could result in death or serious injury.

#### NOTE

Adjust shock absorber spring compression to the weight the motorcycle will usually carry. Less compression for a lighter weight rider, more compression for a heavier rider.

1. Rotating the shock absorber preload adjusting collar will extend or compress shock absorber springs.

Turning the preload adjusting collar clockwise increases (compresses) spring preload, allowing a heavier load.

Turning the preload adjusting collar counter-clockwise decreases (releases) spring preload, allowing a lighter load.

2. Adjust both shock absorber springs to the same compression as determined by the marks on the adjusting collars. (See Service Parts diagram).



# Service Parts

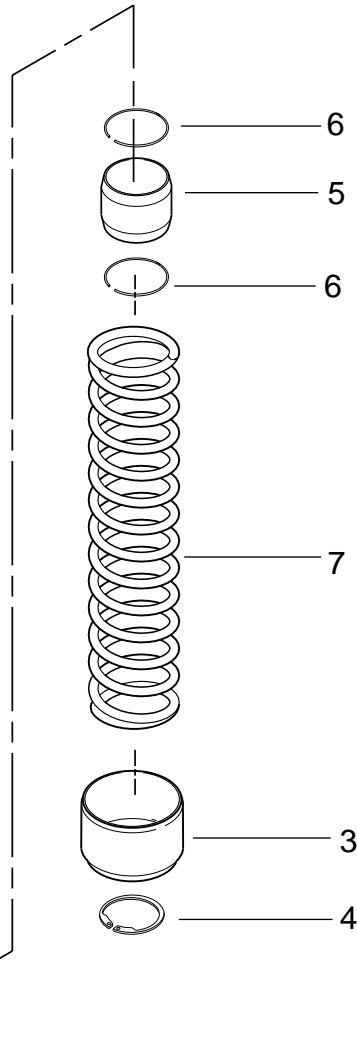
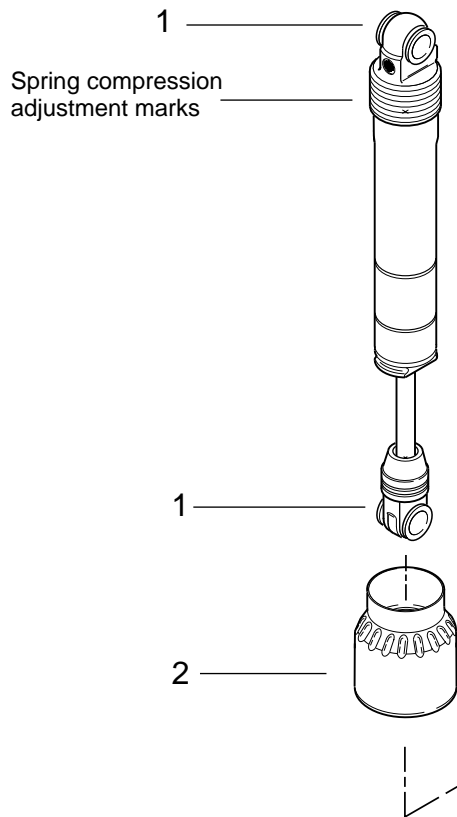
Part No. 54571-94A & 54728-01 | Date 7/00

## Rear Suspension Kits

sp54560

**NOTE**

Internal shock absorber components are not repairable beyond the Service Parts listed. Consult your Harley-Davidson dealer if further service is required.



**Kit Number 54571-94A:**

Item	Description	Part No.
1.	Bushing (4)	54573-94
2.	Preload adjusting collar	54601-94
3.	Lower shock retainer	54602-94
4.	Lower shock spring clip	54603-94
5.	Spring guide	54604-94
6.	Spring guide retainer clip	54605-94
7.	Shock spring	54606-94
8.	Spacer, top (beveled) (2)	54579-94 (Not shown)
9.	Spacer, bottom (2)	54580-94 (Not shown)
10.	Spacer, top (2)	54703-99 (Not shown)
	Shock absorber	54572-94

**Kit Number 54728-01:**

Item	Description	Part No.
1.	Bushing (4)	54573-94
2.	Preload adjusting collar	54639-99
3.	Lower shock retainer	54659-99
4.	Lower shock spring clip	54603-94
5.	Spring guide	54604-94
6.	Spring guide retainer clip (2)	54605-94
7.	Shock spring	54606-94
8.	Spacer, top (beveled) (2)	54579-94 (Not shown)
9.	Spacer, bottom (2)	54580-94 (Not shown)
10.	Spacer, top (2)	54703-99 (Not shown)
	Shock absorber	54729-01