



# INSTRUCTIONS

-J01578

REV. 9-28-99

Kit Numbers 90598-96B and 90342-98A

## SPORTSTER LEATHER SADDLEBAG KIT

### General

#### NOTE

If this kit is being used along with an XL Docking Hardware Kit, Part No. 90465-98A, be sure to read the Instruction Sheet supplied with the docking hardware kit **BEFORE** beginning installation.

#### WARNING

Additional weight can affect a motorcycle's stability, handling characteristics, and safe operating speed. The rider must be responsible for safe operation of the motorcycle when carrying additional weight. The following guideline should be used when a motorcycle is equipped with saddlebags and carrying passengers and cargo: **do not exceed 10 lbs. (4.5 kg) maximum load in each saddlebag. Improper loading can alter vehicle handling which could result in death or serious injury.**

These kits are designed for installation on 1994 and later XL model motorcycles (except XL 1200 Sport).

#### NOTE

A pick tool (Snap-On TT600-3) will be required for 1996 and later model vehicles for removing and reinstalling a multilock amp connector.

#### NOTE

A Service Manual for your vehicle is available from your Harley-Davidson Dealer.

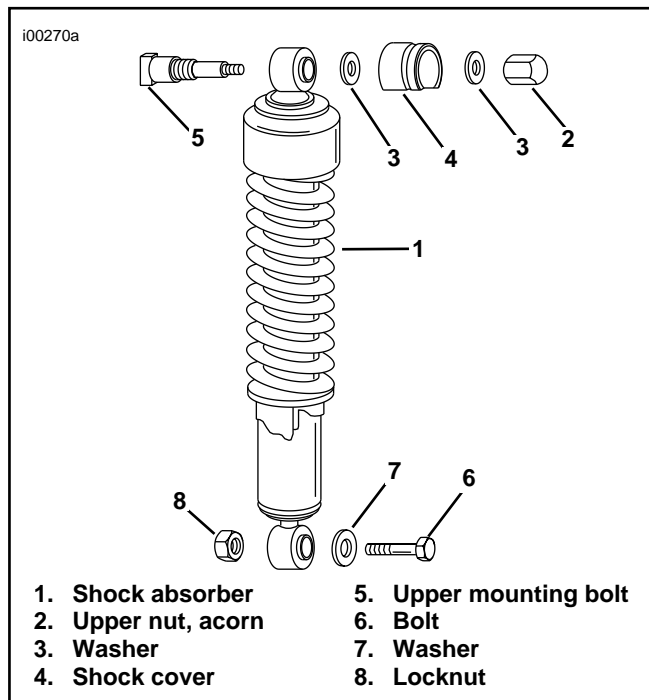


Figure 1a. Shock Absorber Removal Hugger Models Only

### Installation- Hugger Models Only (94-97)

#### WARNING

To perform the following steps for Hugger Models only, fender and frame must be sufficiently supported, as both shocks will need to be removed at the same time. An improperly supported vehicle could result in death or serious injury.

#### WARNING

If the following installation procedures are not within your capabilities, or if you do not have the proper tools, have your Harley-Davidson Dealer perform this installation. Failure to do so could result in death or serious injury.

1. Remove seat, sissy bar and sideplate, if applicable. Retain hardware for reinstallation. Disconnect battery, negative cable first.

#### WARNING

To avoid accidental start-up of motorcycle, and possible personal injury, disconnect battery cables (negative cable first) before performing any of the following procedures. If the positive cable should contact ground with the negative cable installed, the resulting sparks may cause a battery explosion which could result in death or serious injury.

2. Properly support motorcycle under frame to prepare for removal of right and left shocks.
3. Remove rear button head screw on both sides of fender.
4. See Figure 1a. With rear fender and frame securely supported, remove left and right shocks by removing upper nut (2), washer(s) (3) and shock cover (4). Remove bolt (6), washer (7) and locknut (8) at lower shock mount. Remove shock.
5. Install long 4-1/2 in. bolt (1) from kit, from inside of fender out through rear holes where button head screws were removed in Step 3.
6. Reinstall shocks using original hardware. Torque acorn nut (2) to 21-35 ft-lbs (28.5-47.5 N-m). Torque locknut (8) to 30-50 ft-lbs (40.7-67.8 N-m).

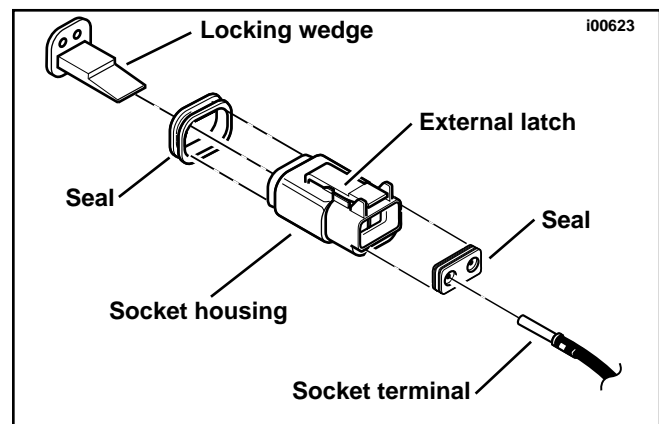


Figure 1. Rear Turn Signal Electrical Connector

## Rear Turn Signal Relocation

### NOTE

Rear turn signals must be relocated before saddlebags can be installed.

### WARNING

To avoid accidental start-up of motorcycle, and possible personal injury, disconnect battery cables (negative cable first) before performing any of the following procedures. If the positive cable should contact ground with the negative cable installed, the resulting sparks may cause a battery explosion which could result in death or serious injury.

1. Remove seat and disconnect battery cables, negative cable first. Remove sissy bar and sideplates, if installed. Retain all parts and hardware.

### NOTE

On 1999 and later vehicles, the multilock amp connector is under the lens plate of the taillight. 1996-1998 vehicles have an 8-place multilock amp connector as shown in Figure 3. 1994-1995 vehicles have a Deutsch connector (13) as shown in Figure 1.

### NOTE

Before performing next step, notice location of wire colors in connector so wires can be reinstalled in same positions later.

2. **1994-1995 vehicles:** See Figure 1. Follow the rear turn signal wires to the two connectors located under the seat. Separate the socket halves of the rear turn signal connectors by pressing the external latch of each connector and rocking the socket half back and forth until free. Leave the pin halves of the connectors attached to the frame. Remove each connector's orange secondary locking wedge by inserting the blade of a small screwdriver in the locking wedge groove. Turn the screwdriver 90 degrees to pop the wedge up.

Gently pull the wires from each connector while releasing the small locking tabs on inside of connector, using a small flat head screwdriver.

### NOTE

See Service Manual for more detailed instructions on amp multilock electrical connector installation and removal.

### NOTE

On 1996 - 1998 vehicles, the multilock amp connector is under the seat. See Service Manual for more detailed instructions.

### NOTE

On 1999 and later vehicles the multilock amp connector is under the lens plate of the taillight. See Service Manual for more detailed instructions.

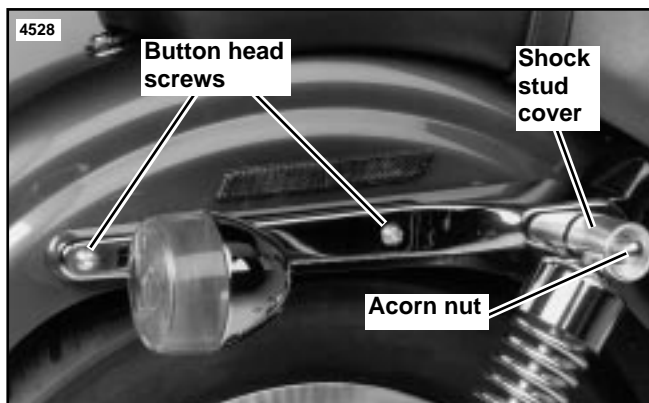


Figure 2. Rear Fender Support

3. See Figure 3. **On 1999 and later models**, it is necessary to remove the taillight lens to access the amp multilock connector. **On 1996-1998 vehicles** with multilock amp connectors, remove the connector from the retaining device according to Service Manual instructions:
  - a. Open the secondary lock.
  - b. Insert the pick into cavity on inboard side of connector.
  - c. Pivot end of pick to release tang.
  - d. Gently tug on wire to remove terminal from housing.

### NOTE

Perform the following procedures one side at a time until instructed to go to opposite side of vehicle.

4. See Figure 2. Remove button head screws and locknuts that secure fender support cover to frame. (If you have a Hugger model with a sissy bar, one of these screws and locknuts may already be removed.) Retain hardware for later reinstallation.
5. Remove the nut on inside of fender securing rear turn signal to fender. Retain nut.
6. **For 1994 to 1999 models**, remove the rear shock absorber upper acorn nut, washers, and shock stud cover. For 2000 and later models, remove 1/2-13 hex head screw, washer and shock cover. This will allow you to pull the fender support cover out far enough to access the stud that holds the rear turn signal in place.
7. With a deep well socket, remove rear turn signal stud from fender support cover, and remove rear turn signal. Discard stud.
8. Take note of how rear turn signal wire is routed (for later re-routing).
9. See Service Parts illustration. Using a small piece of tape, tape large spacer (item 14) from kit onto frame over hole from which rear turn signal stud was removed.

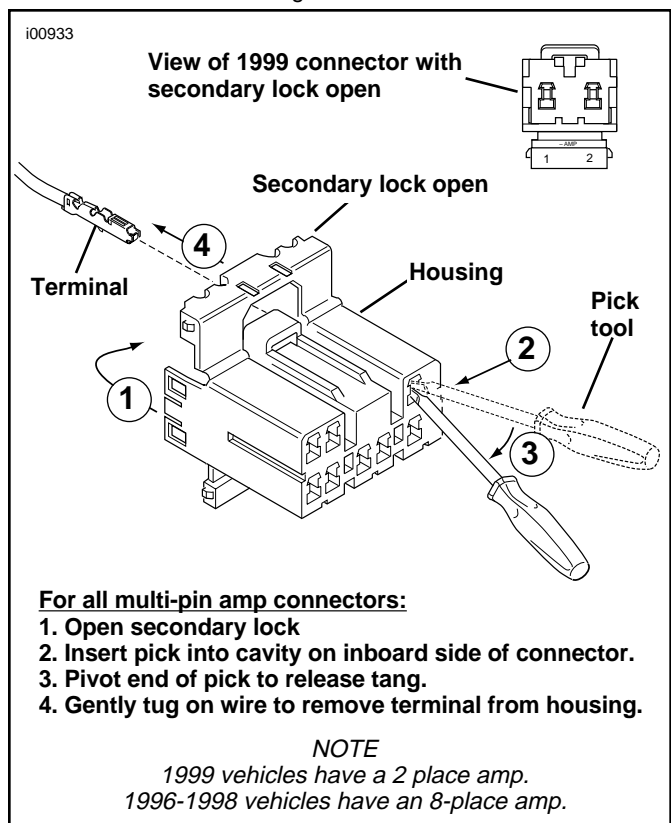


Figure 3. Amp Multilock Electrical Connectors

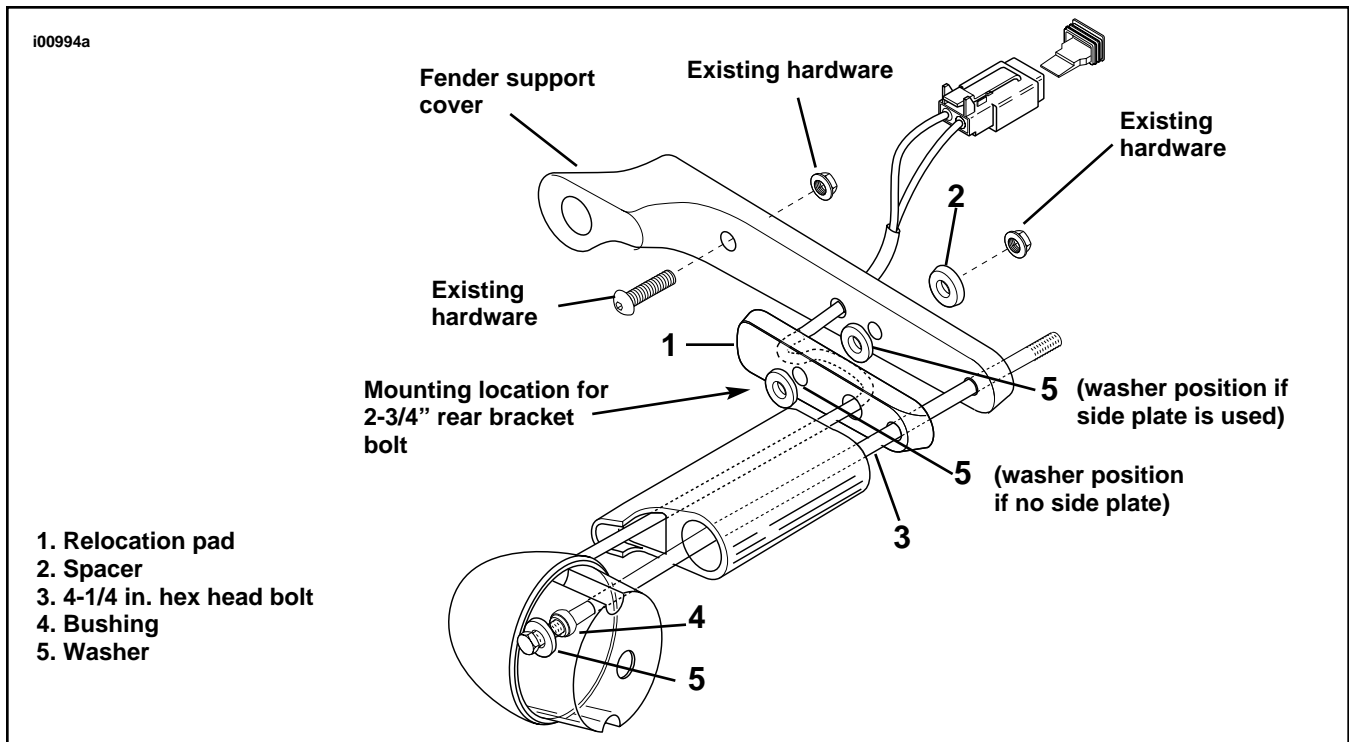


Figure 4. Installation on 1998 and later models

10. Remove lens from rear turn signal. Remove bulb from rear turn signal. Retain all parts.
11. **All 1994-1997 models, except Huggers,** insert 4-1/2 in. bolt (15), from inside of fender, out through rearmost hole in fender frame. Leave loosely in place.

#### CAUTION

Use caution not to scratch chrome surface of turn signal housing while drilling out threads.

**All 1998 and later models,** see Figure 4. Drill out threads in turn signal housing using a 13/32 inch drill bit. Use caution not to scratch chrome surface of turn signal housing. Place thin spacer (5) and bushing (4) on 4-1/4 inch bolt (3) near threads. Install bolt through turn signal housing. Bushing should be level with inside boss in turn signal housing.

#### NOTE

*Narrow end of relocation pad should point to rear of motorcycle.*

12. See Service Parts illustration. Insert wire from rear turn signal lamp, through center hole in relocation pad, along channel on the inside of the pad and through third hole from rear in fender support cover. Re-route wire back along inside of fender support cover and retape into place on back of fender support cover.

13. **Non-sissy bar models only.**

- **On 1994-1997 models,** see Service Parts illustration. Install rear turn signal with relocation pad and fender support cover onto fender using 4-1/2 in. bolt inserted through rear of fender (step 11). Tighten bolt until snug.

**On 1998 and later models,** see Figure 4. Place Loctite on threads of 4-1/4 inch bolt (3). Install rear directional with relocation pad (1) and fender support cover onto fender with 4-1/4 inch bolt inserted through turn signal housing in step 11.

- Reinstall original locknut and screw removed from forwardmost hole in fender support cover. Tighten finger tight.

#### Models with sissy bars.

- Place fender support cover over fender support. Reinstall sissy bar sideplate over cover and loosely secure using original hardware.
- **On 1994-1997 models,** see Service Parts illustration. Install turn signal lamp onto relocation pad with 4-1/2 in. bolt inserted through fender (step 11). Tighten bolt until just snug.

**On 1998 and later models,** see Figure 4. Install turn signal assembly onto pad (1) using 4-1/4 inch bolt (3) inserted through turn signal housing in Step 11. Tighten bolt until snug.

14. **On 1994-1997 models,** see Service Parts illustration. Tighten 4-1/2 in. rear turn signal bolt from inside of fender to 12 ft-lbs. Install nut from kit (item 16) onto bolt at inside of turn signal housing. Tighten securely.

**On 1998 and later models,** see Figure 4. Tighten 4-1/4 inch rear turn signal bolt (3) from inside of turn signal housing to 12 ft-lbs.

15. Tighten button head screw in forwardmost hole in fender support cover to 12 ft-lbs.
16. Reinstall bulb and rear turn signal lens.
17. Repeat steps 4 through 15 for opposite side of motorcycle.
18. **For 1994-1995 models:** Reroute rear turn signal wires through frame. Reinsert wires into rubber connector seal. Making sure wire colors match wires in pin half of connector, push wires into connector until wires snap into place. Gently tug on wires to be sure connection is made. Reinstall secondary lock into connector and mate connector halves.

**NOTE**

See Service Manual for more detailed instructions on installing and removing amp multilock electrical connectors.

**On 1996 - 1998 models:** Reroute rear directional wires through frame.

**On 1999 and later models:** Reroute rear directional wires under fender to taillight.

From the secondary lock side of the connector, insert the terminal into its respective numbered chamber until it snaps in place according to Service Manual instructions. For proper fit, the slot in the terminal must face the tang in the chamber.

Gently tug on wire end to verify that the terminal is locked in place and will not back out of chamber. Rotate the hinged secondary lock inward until tabs fully engage latches on both sides of connector. Insert the socket housing into the pin housing until it snaps into place. Reroute wires as removed in Step 8.

**Always connect the positive battery cable first. If the**

**⚠ WARNING**

**positive cable should contact ground with the negative cable installed, the resulting sparks may cause a battery explosion which could result in death or serious injury.**

19. Reconnect battery (positive cable first), and test rear turn signals for proper operation. Re-install seat, and sissy bar if applicable.

**⚠ WARNING**

**After installing seat, pull upward on front of seat to be sure it is locked in position. If seat is loose, it could shift during vehicle operation, resulting in loss of control of vehicle and death or serious injury.**

## Saddlebag Installation

**CAUTION**

**The flat washer (17) must be installed in the location shown in the Service Parts sheet. If the washer is not installed in the correct location, the relocation pad could crack when tightening the 2-3/4 in. bolt (10), if sideplates are used; or the saddlebag bracket could be misaligned, if sideplates are not used.**

1. Place the saddlebag bracket in position with the bracket's front attachment hole over the rear shock absorber upper stud (1999 or before) or bolt location (2000 and later). Secure the bracket's rear attachment hole with the 2-3/4 in. bolt (10) and the existing lock nut removed in step 4 of the rear turn signal relocation. Use washer (17) to fill the space between fender support cover and relocation pad if sideplates are installed. If there are no sideplates, place washer on the outside of the relocation pad as shown in Service Parts illustration.
2. **For 1994-1999 models.** Secure the bracket's front attachment hole with the barrel nut (11). **For 2000 or later models,** secure bracket's front attachment hole with 1/2 - 13 x 3.00 hex head screws (24). Tighten the barrel nut (or screw) to 21-35 ft-lbs. (28.5-47.5 N-m). Tighten the rear bracket bolt (item 10) to 12 ft-lbs. (16.3 N-m).
3. Assemble an isolator washer (7) onto an isolator bushing (6). Place a screw (8) through the bushing.
4. Place the screw and bushing assembly into the top hole inside the saddlebag back.
5. Push a saddlebag isolator (5) over bushing with cone shape toward saddlebag.
6. Place saddlebag in position on bracket and install the screw into the bracket. Do not tighten screw at this time.
7. Repeat steps above for remaining holes and after all isolators are in place, tighten screws to 8-10 ft-lbs (10.8-13.6 N-m).

**NOTE**

*Two reflectors have been included with this kit to be mounted on saddlebags.*

**⚠ WARNING**

**Federal Motor Vehicle Safety Standard (FMVSS) 108 requires all motorcycles to be equipped with side reflectors. Install, or have your dealer install, the reflectors supplied with this kit, following the instructions in steps 8, 9, and 10 below. The mounted saddlebags will cover the factory installed reflectors on some motorcycles. This loss of visibility to other motorists could result in death or serious injury.**

8. Center the reflector (18) in the lower rear corner of the saddlebag and mark hole location.
9. Punch hole in saddlebag and mount reflector in location shown in Service Parts sheet. Use pan head screw (19), washer (20), and locknut (21).
10. Repeat steps 8 and 9 to mount reflector on other saddlebag.



# Service Parts

Part No. 90598-96B & 90342-98A

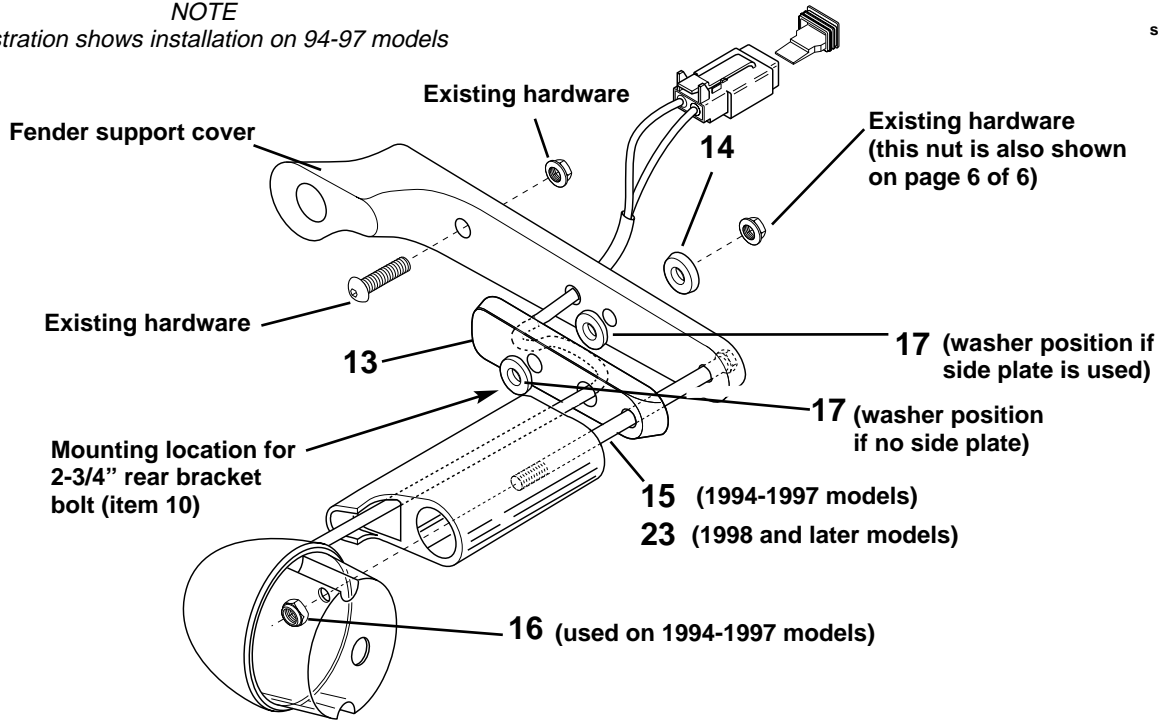
Date 5/99

Sportster Leather Saddlebag Kit (1 of 2)

### NOTE

Illustration shows installation on 94-97 models

sp90598-1

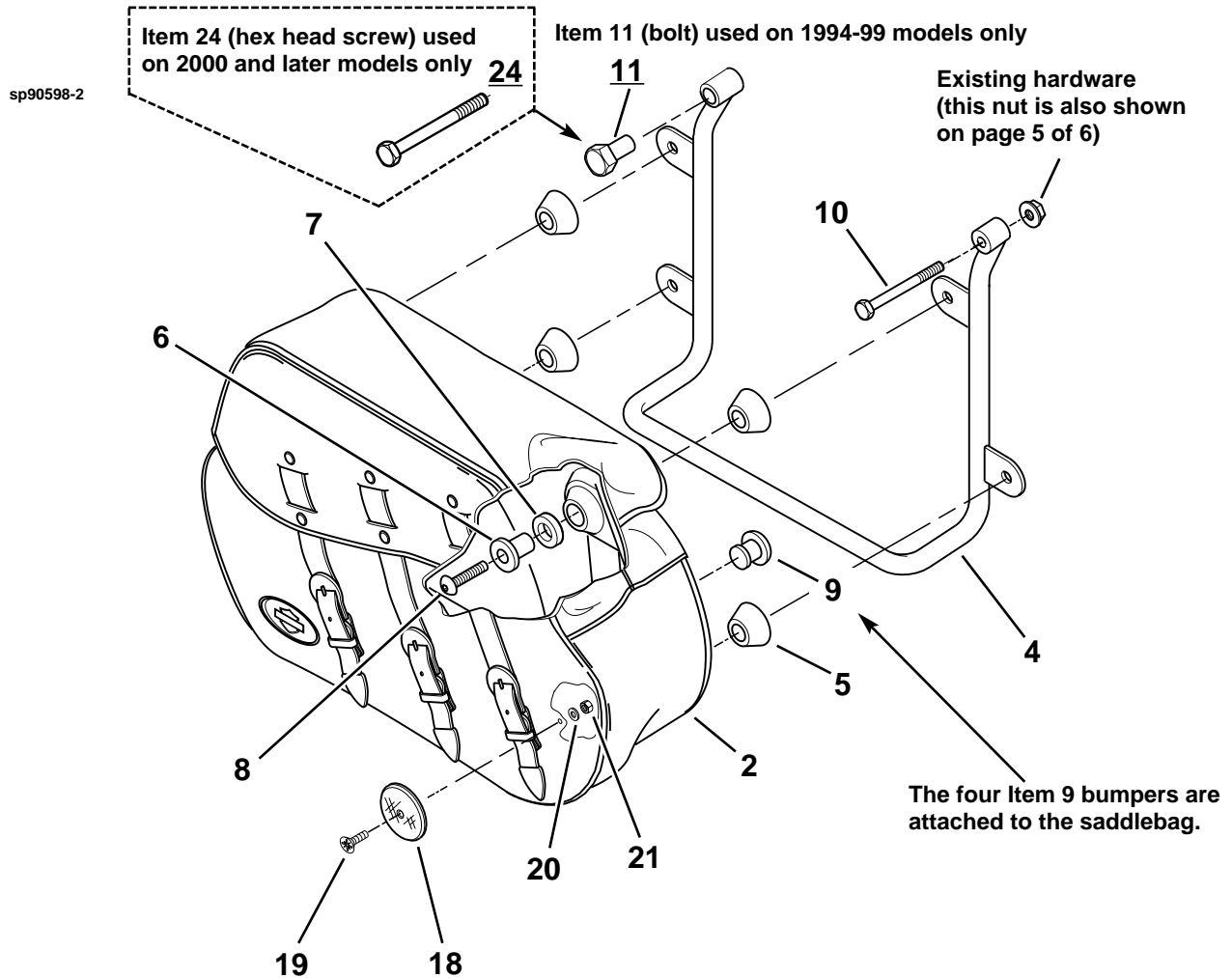


ITEM	PART NO.	DESCRIPTION	ITEM	PART NO.	DESCRIPTION
1	90605-96	Saddlebag, right for kit 90598-96B (1)	14	5792	Spacer, .39 in. x .88 in. x .22 in. (2)
	90304-98	Saddlebag, right for kit 90342-98A (1)	15	4251	Bolt, hex head, 5/16-24 x 4.5 in. (2)
2	90600-96	Saddlebag, left for kit 90598-96B (1)			Item 15 - 1994-1997 models only
	90303-98	Saddlebag, left for kit 90342-98A (1)	16	7725	Locknut, 5/16-24 (2)
3	90625-96	Saddlebag support, right (1)			Item 16 - 1994-1997 models only
4	90608-96	Saddlebag support, left (1)	17	6109	Washer, .32 in. x .69 in. x .125 in.
5	90677-94	Isolator (8)	18	59264-86	Reflector, red
6	90676-94	Isolator bushing (8)	19	2587	Screw, pan head, Pozidriv, #10-32 x 1/4
7	90678-94	Isolator washer (8)	20	6716	Washer #10 x 1/2 x 3/64
8	90578-94	Screw, button head (8)	21	7626W	Locknut #10-32
9	62123-66	Bumper (4)	22	61778-98	Bushing
10	858	Bolt, hex head, 2-3/4 in. (2)	23	4140	Bolt, hex, 5/16-18 x 4-1/4 in. (2)
11	7670	Nut, barrel (2)			Item 23 - 1998 and later models only
		Item 11 - 1994-99 models only	24	3871	Screw, Hex Head, 1/2 - 13 x 3.00 (2)
12	98836-92	Leather care kit (1) (not shown)			
13	68472-94	Relocation pad (2)			



# Service Parts

Part No.90598-96B & 90342-98A | Date 5/99  
Sportster Leather Saddlebag Kit (2 of 2)



Left Side Shown

### NOTE

Illustration shows a generic styled saddlebag.

ITEM	PART NO.	DESCRIPTION	ITEM	PART NO.	DESCRIPTION
1	90605-96	Saddlebag, right for kit 90598-96B (1)	13	68472-94	Relocation pad (2)
	90304-98	Saddlebag, right for kit 90342-98A (1)	14	5792	Spacer, .39 in. x .88 in. x .22 in. (2)
2	90600-96	Saddlebag, left for kit 90598-96B (1)	15	4251	Bolt, hex head, 5/16-24 x 4.5 in. (2)
	90303-98	Saddlebag, left for kit 90342-98A (1)			Item 15 - 1994-1997 models only
3	90625-96	Saddlebag support, right (1)	16	7725	Locknut, 5/16-24 (2)
4	90608-96	Saddlebag support, left (1)			Item 16 - 1994-1997 models only
5	90677-94	Isolator (8)	17	6109	Washer, .32 in. x .69 in. x .125 in.
6	90676-94	Isolator bushing (8)	18	59264-86	Reflector, red
7	90678-94	Isolator washer (8)	19	2587	Screw, pan head, Pozidriv, #10-32 x 1/4
8	90578-94	Screw, button head (8)	20	6716	Washer #10 x 1/2 x 3/64
9	62123-66	Bumper (4)	21	7626W	Locknut #10-32
10	858	Bolt, hex head, 2-3/4 in. (2)	22	61778-98	Bushing
11	7670	Nut, barrel (2)	23	4140	Bolt, hex, 5/16-18 x 4-1/4 in. (2)
		Item 11 - 1994-99 models only			Item 23 - 1998 and later models only
12	98836-92	Leather care kit (1) (not shown)	24	3871	Screw, Hex Head, 1/2 - 13 x 3.00 (2)