



# INSTRUCTIONS

-J01518

REV. 2-22-99

Kit Number 69060-90D

## HORN KIT

### General

This kit is designed for installation on all 1991 and later model motorcycles, except XLH 883 models.

QTY	DESCRIPTION
1	Horn, with mounting nut
1	Washer, stepped
1	Spacer nut

#### NOTE

The only Service Part in this kit is the horn mounting nut, Part No. 7495, item (1) in Figure 1.

### Installation

#### ⚠ WARNING

To avoid accidental start-up of motorcycle, disconnect the battery cables (negative cable first) before performing any of the following procedures. If the positive cable should contact ground with the negative cable installed, the resulting sparks may cause a battery explosion resulting in death or serious injury.

#### NOTE

Use the hex nut, Part No. 7495, provided with new horn, except when installing horn on 1994 Dyna models or 1991 - 1993 Dyna models retrofitted with 1994 style battery tray.

1. Remove seat and disconnect wires from horn.
2. See Figure 1. Remove stock horn nut (1), spacer (4) and horn (3). Discard all three items. Save all other hardware for reinstallation. Note assembly order for reinstallation.
3. **On 1994 Dyna models or 1991-1993 Dyna models retrofitted with the 1994 style battery tray**, install horn mounting stud through grommet (5) in horn mounting bracket with any hardware saved from Step 1 as shown in Figure 1. Apply 1-2 drops of Loctite 271 (red) onto threads of spacer nut (6). Install spacer nut onto horn mounting stud and tighten to 100 - 120 in-lbs (11-13 N-m).

#### NOTE

Over-tightening or under-tightening the horn spacer nut may affect tone of horn.

All other models, install new horn and horn mounting nut, with the Step washer, if necessary and all saved mounting hardware in the same manner the original horn was removed.

4. Connect wires to terminals and check for proper horn function.

#### NOTE

Horn is not polarity sensitive. Ground and power wire may be connected to either terminal.

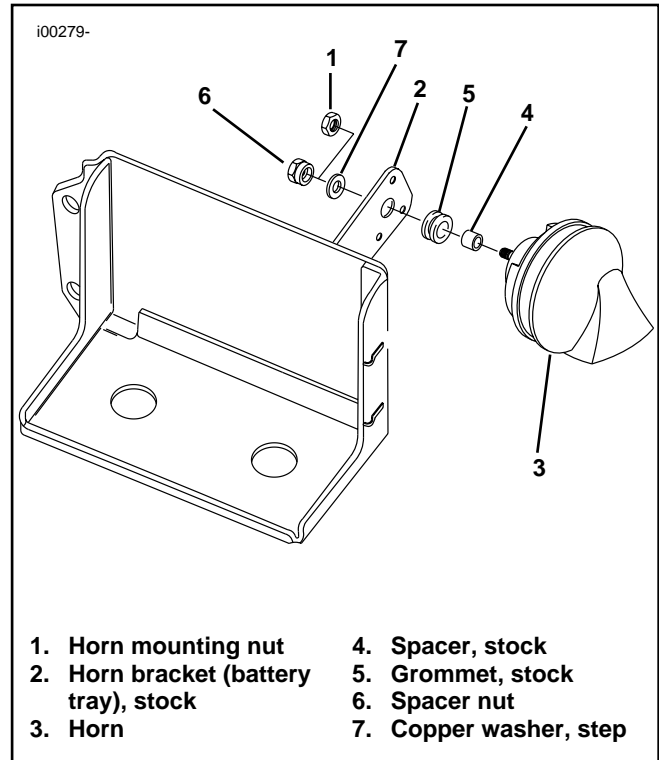


Figure 1. 1994 Dyna Model Horn

### USING STEP WASHER

The step washer included in the kit is only needed when the horn bracket mounting hole is much larger than the horn mounting stud. Use the step washer to center the horn stud in the horn bracket mounting hole.

#### NOTE

Refer to the applicable Service Manual for replacement procedures.

#### ⚠ WARNING

Always connect the positive battery cable first. If the positive cable should contact ground with the negative cable installed, the resulting sparks may cause a battery explosion, possibly causing death or serious injury.

#### ⚠ WARNING

After installing seat, pull upward on front of seat to be sure it is locked in position. If seat is loose, it could result in shifting during vehicle operation, loss of control of vehicle, death or serious injury.