



# INSTRUCTIONS

-J01440

REV. 10-22-98

Kit Number 69625-99

## HEADLAMP TRIM RING

### General

This kit fits 1963 and later XL models, except 1200 Custom and 883 Custom.

### Kit Contents:

Item	Description	Part Number
1	Screw	3824
2	Nut	8006
3	Trim ring	Not sold separately

### Installation

1. Remove the screw from original equipment headlamp trim ring and remove ring.
2. Install new accessory trim ring (3) with screw (1) and nut (2). Tighten screw.

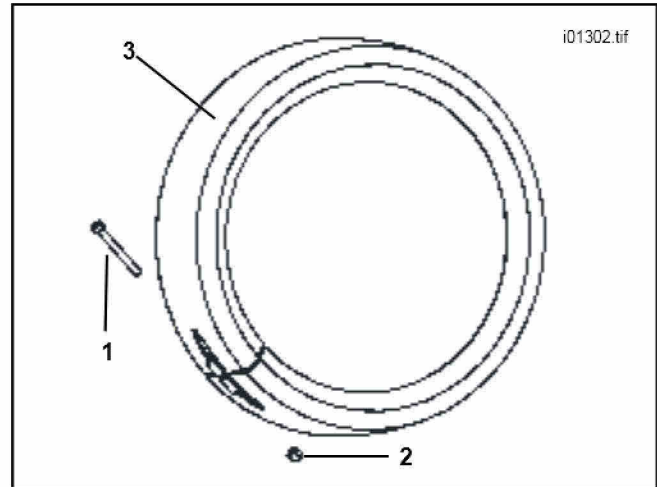


Illustration. Headlamp Trim Ring



# INSTRUCTIONS

-J01440

REV. 10-22-98

Kit Number 69625-99

## HEADLAMP TRIM RING

### General

This kit fits 1963 and later XL models, except 1200 Custom and 883 Custom.

### Kit Contents:

Item	Description	Part Number
1	Screw	3824
2	Nut	8006
3	Trim ring	Not sold separately

### Installation

1. Remove the screw from original equipment headlamp trim ring and remove ring.
2. Install new accessory trim ring (3) with screw (1) and nut (2). Tighten screw.

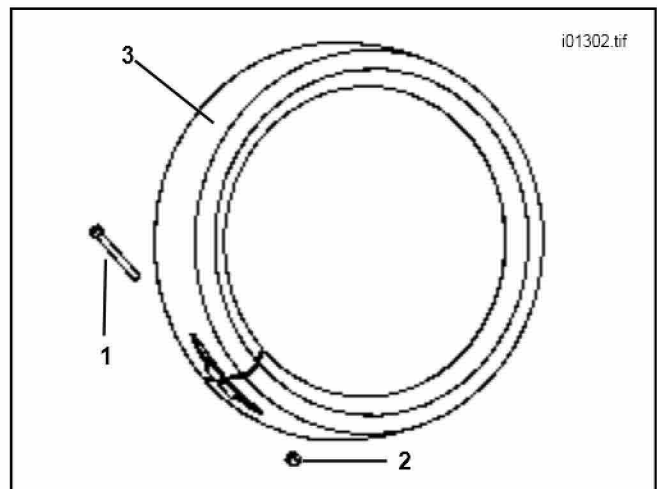


Illustration. Headlamp Trim Ring