



INSTRUCTIONS

-J01310

REV. 12-3-02

Kit Number 69704-00

XL BOBTAIL FENDER INSTALLATION KIT

General

This kit is designed for use when installing Bobtail Fender on 1999 and later Sportster models.

NOTE

The Bobtail Fender is not included in this kit. The fender can be purchased either painted or primed and ready for painting. See your Harley-Davidson dealer for more details.

NOTE

Some Harley-Davidson International customers will be required to install License Plate Adapter Kit Number 60081-00.

WARNING

A Service Manual is needed to install this kit. The rider's safety depends upon the correct installation of this kit. If the procedure is not within your capabilities or you do not have the correct tools, have your Harley-Davidson dealer perform the installation. Improper installation of this kit could result in death or serious injury.

See Service Parts illustration for kit contents.

Installation

NOTE

A Service Manual for your model motorcycle is available at your local Harley-Davidson Dealer.

1. Remove stock rear fender according to applicable Service Manual instructions. It may be necessary to remove the lower shock mount bolt in order to access the fender top mount bolt. Remove lower shock mount according to Service Manual instructions.

WARNING

If it is necessary to remove the lower shock mount bolt, you must securely support the vehicle. Failure to securely support the vehicle could allow the vehicle to tip over which could result in death or serious injury.

2. Save stock T-spacers, t-stud clips, tail lamp assembly and all wiring for later use.
3. Remove stock rear fender extension by carefully drilling out the rivets holding the rear fender extension to the fender. Hold the stud side of rivet (inside of fender) with a pliers and drill the rivet head out using a 1/4 in. drill bit.
4. Rivet the stock rear fender extension removed from the stock fender to the bobtail fender (1) using four rivets (2) and four rivet washers (3).
5. See Service Parts illustration. Rivet the two wire retention brackets (4) on each side of the inside of fender as shown using two remaining rivets (2).
6. Install seven grommets (5) and T-spacers (6) at all seven mounting points; 3 on each side, one at the top. Install T-spacers in grommets (inboard side).

NOTE

Seven T-spacers are required; five were removed from the stock fender, two are included in this kit.

7. Install seven clips (7) onto weld studs on underside of the fender.

NOTE

Wiring harness needs to be routed to opposite side from stock.

8. Position stock wire harness under clips attached to T-studs. Wiring harness must be routed to opposite side from stock.
9. Install three retention nuts (8) and retention washers (9) in locations shown in Service Parts illustration.
10. See Service Parts illustration. Position foam washer (10) under stock turn signal module and attach to fender using stock screw and washers. Tighten to 3-5 in-lbs (.3-.6 Nm) torque.
11. Align holes in fender with those in strut.

CAUTION

Always install and tighten top fender bolt first, or undue stresses may lead to fender cracking.

12. Install stock top fender bolt, stock washer, and nut (11) from kit. Hold bolt head firmly at underside of fender and install nut topside. Tighten top fender nut to 10 ft-lbs (13.6 Nm) torque.
13. Align holes in stock chrome strut cover with those in strut. Verify that directional light leads are positioned under strut cover so that they are not pinched when cover is tightened.
14. Slide directional stalk stud through holes in strut cover, strut and fender (1). Install nut (11).
15. Install fender support screws (12) through holes in strut cover, strut and fender. Install nuts (11).
16. Tighten directional stalk and fender support nuts to 8-13 ft-lbs (11-13 Nm) torque.
17. Install the tail lamp bracket (13) using fender support screws (12).
18. Install the stock tail lamp circuit board onto tail lamp bracket. Secure using screw (14).

NOTE

The circuit board is now installed upside down from its stock orientation. The left turn signal plug on the circuit board is now on the right side, while the right turn signal plug is on the left side.

19. Connect the main wiring harness to tail lamp circuit board.

20. Install the turn signal wire leads to the circuit board according to applicable Service Manual instructions.
21. Inspect main wiring harness and turn signal leads to ensure they are secured to the harness clips. Wiring under fender should not be loose or bunched.
22. Install the stock tail lamp lens using stock lens screws.
23. For **Sportster 883 models** with stock seat or other models with solo seats, install plug (15).
24. If your vehicle stock license plate mount configuration is represented by Figure A (below):

- a. Install reflector right side (16) and reflector left side (17) in same position as reflectors on stock fender.
- b. See Service Parts illustration. Install the rear fender reflector bracket (18) and rear reflector (19) by snapping the reflector bracket onto the slits on the tail lamp bracket (13) as shown.
- c. Mount license plate to license plate bracket (13) using stock screws and nuts.

If your vehicle stock license plate configuration is represented by Figure B (below), it is required that you purchase License Plate Adapter Kit Number 60081-00.:

- a. Mount the license plate bracket (20) to the tail-light bracket (13) using two bolts (21), two washers (23) and two nuts (22) included in Kit Number 60081-00.
- b. Mount license plate to license plate bracket (20) using stock screws and nuts.
- c. Install reflector left side (24) and reflector right side (25) in the same positions as reflectors on stock fender.
- d. Mount the rear reflector (26) to the license plate bracket (20).

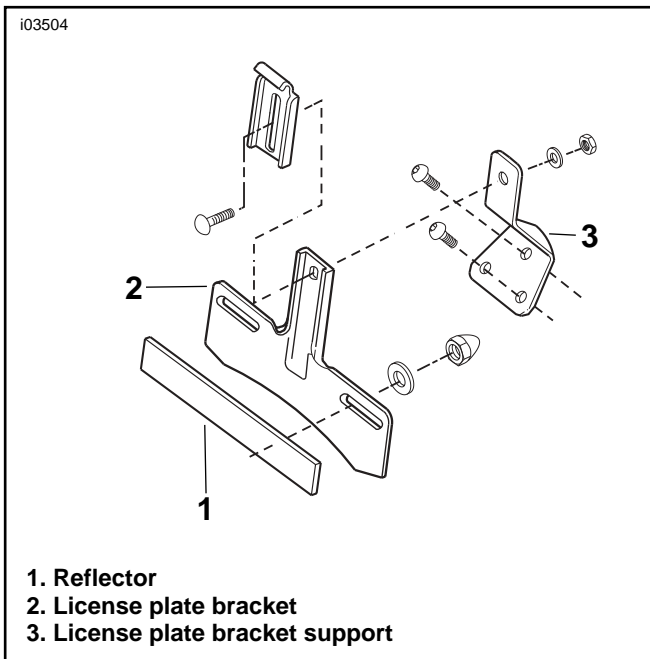


Figure A. U.S. Stock Configuration

26. Install stock grabstrap and seat using stock hardware according to applicable Service Manual instructions.

WARNING

After installing seat, pull upward on front of seat to be sure it is locked in position. While riding, a loose seat can shift causing loss of control, which could result in death or serious injury. If seat is loose, it could shift position during vehicle operation, resulting in loss of control of vehicle and death or serious injury. (0007a)

WARNING

Check for proper taillamp operation before riding motorcycle. Visibility is a major concern for motorcyclists. Improper tail lamp operation may lead to an accident which could result in death or serious injury.

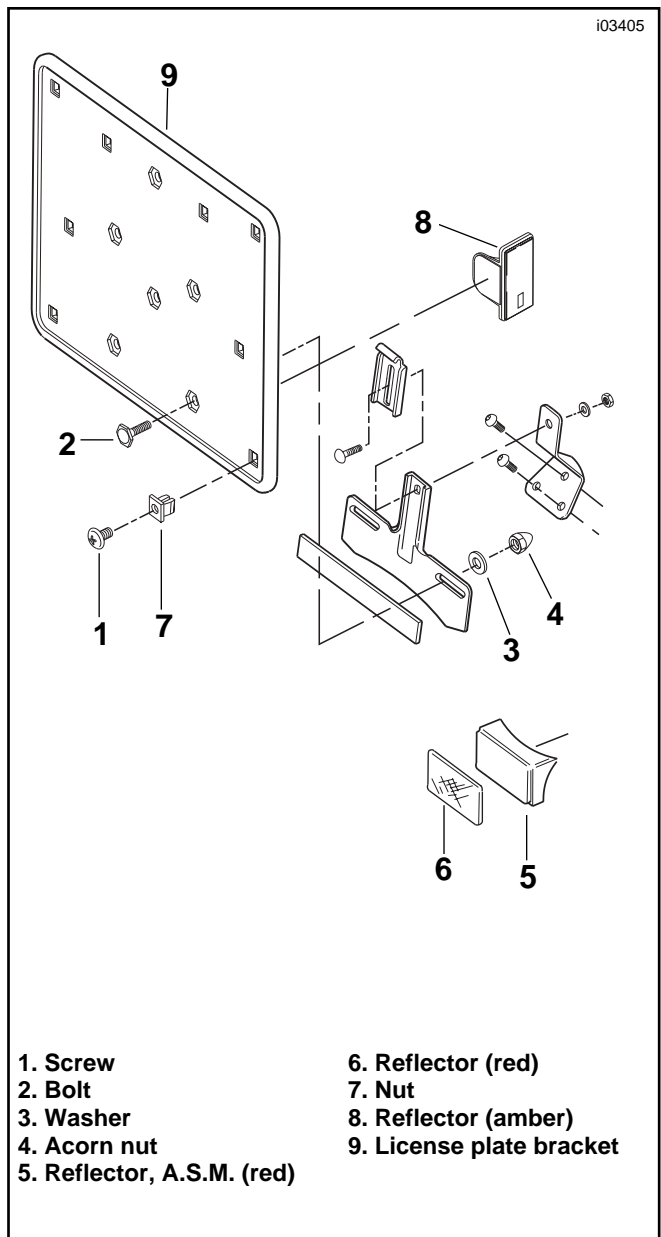


Figure B. HDI Stock Configuration



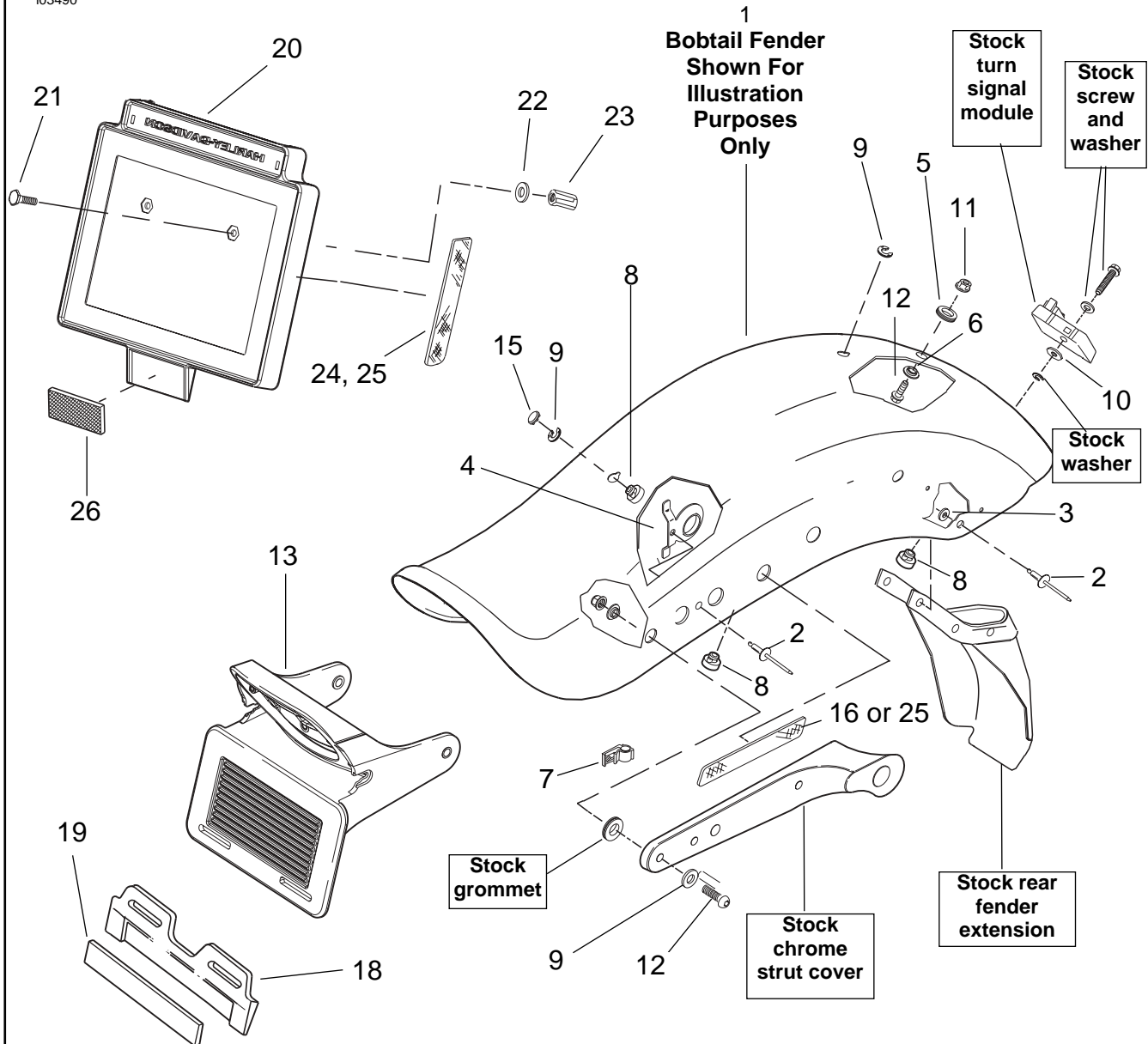
Service Parts

Part No. 69704-00

Date 12/02

XL Bobtail Fender Installation Kit

i03490



Kit Number 69704-00

Item	Description	Part Number
1	Fender, bobtail (not included)	See Dealer
2	Rivet (6)	8692
3	Rivet washers (4)	6192
4	Wire retention bracket (2)	10200
5	Grommet (7)	11474
6	T spacer (2)	7882
7	Clip (7)	10183
8	Seat retention nut (3)	7488
9	Retention washer (3)	7489A
10	Vibration dampener	11512
11	Locknut (7)	7531
12	Screw (4)	4767
13	License plate bracket	60080-01
14	Screw, 1/4-20 x .5 (not shown)	932
15	Black plug (2)	761

Item	Description	Part Number
16	Reflector, right	59287-92
17	Reflector, left	59288-92
18	Rear reflector bracket	60019-93
19	Reflector, rear	59988-72

HDI License Plate Adapter Kit

Kit Number 60081-00

Item	Description	Part Number
20	License plate bracket, HDI	59994-93A
21	Bolt, license plate, HDI	3689
22	Nut, license plate, HDI	7792
23	Washer, license plate, HDI	6253W
24	Reflector, left, HDI	59290-92
25	Reflector, right, HDI	59289-92
26	Reflector, rear, HDI	59259-90