



INSTRUCTIONS

-J01303

REV. 7-31-98

Kit Number 62863-98

FUEL VALVE COVER KIT

General

This kit fits 1994 and later motorcycles equipped with a carburetor.

See *Service Parts illustration* for kit contents.

Installation

1. See *Service Parts illustration*. Add a drop of blue Loctite (part number 99642-97) to screws (3) before assembly. Assemble fuel valve bracket (1) and fuel valve cover (2) together loosely with screws (3).
2. Place fuel valve in reserve position (the handle will be up) and slide assembly on.
3. Tighten screws (3) securely.
4. Return the valve to the "on" position. The notch will be in the downward position.
5. Remove backing from decal (4). Place decal on to face of fuel valve cover in desired orientation as shown.
6. Remove backing from label (5). Place label on top of fuel valve cover (2) as shown.

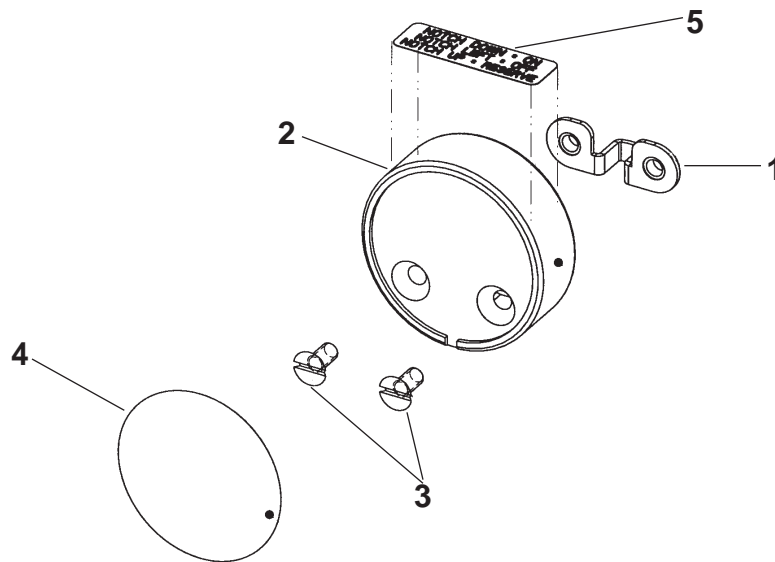


Service Parts

Part No. 62863-98

Date 7/98

Fuel Valve Cover Kit



ITEM	DESCRIPTION	PART NUMBER	ITEM	DESCRIPTION	PART NUMBER
1	Fuel valve bracket	Not sold	4	Fuel valve cover decal	Not sold
2	Fuel valve cover	Not sold	5	Label	Not sold
3	Screws (2)	1608			