



INSTRUCTIONS

-J01280

REV. 8-13-98

Kit Number 68913-98

FOG LAMP KIT

General

This kit fits all models equipped with Harley-Davidson Front Engine Guards (1-1/4 in. diameter), except when equipped with fairing lowers or splash shields.

This Fog Lamp kit draws 9 amps.

See Service Parts illustration for kit contents.

Installation

⚠ WARNING

To avoid accidental start-up of motorcycle, and possible personal injury, disconnect the battery cables (negative cable first) before performing any of the following procedures. If the positive cable should contact ground with the negative cable installed, the resulting sparks may cause a battery explosion resulting in personal injury.

1. See Figure 1. The electrical schematic and connection points on motorcycle are shown.
2. See Service Parts Illustration and Figure 2. Mount fog lamp switch housing on left handlebar switch housing with top screw in housing. Route switch wires along underside of left handlebar to steering head. Secure wires to handlebar with cable straps from kit.
3. Refer to Service Manual and wiring diagram to locate the most accessible yellow (Y) wire that carries current for headlamp low beam filament.
4. See Figure 3. Splice fog lamp switch lead to yellow wire as shown. To achieve a good electrical splice perform the following:
 - a. Strip a 3/8 in. section of insulation from both ends of each wire end to be spliced.
 - b. See Figure 4. Insert wires prepared in step a. into opposite ends of a butt splice connector.
 - c. Match the color of the butt splice connector with the color of the crimp cavity of the crimping tool. Using a H-D 38125-8 crimping tool, crimp wires into the connector.

⚠ WARNING

- Use extreme caution when operating the UltraTorch UT-100 or any other radiant heating device. Read the manufacturer's instructions carefully before using the tool. Improper tool handling can result in personal injury.
- Always keep hands away from tool tip area and heat shrink attachment.

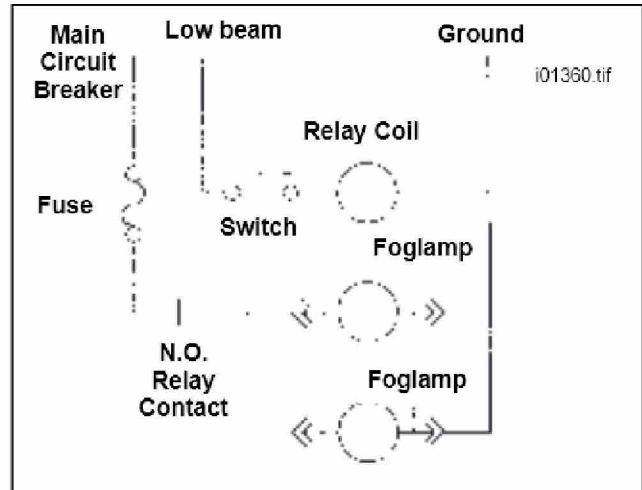


Figure 1. Fog Lamp Schematic

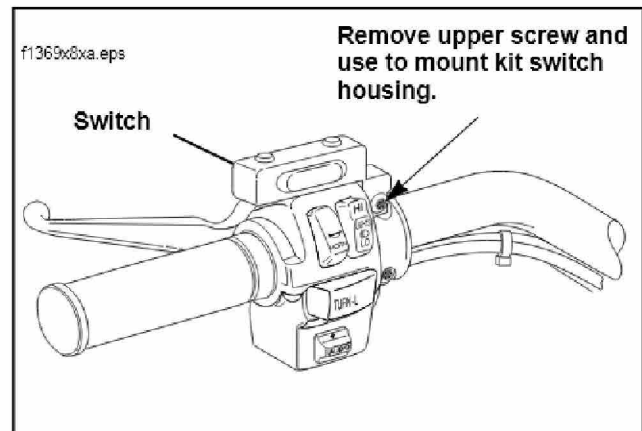


Figure 2. Fog Lamp Switch Mounting Location

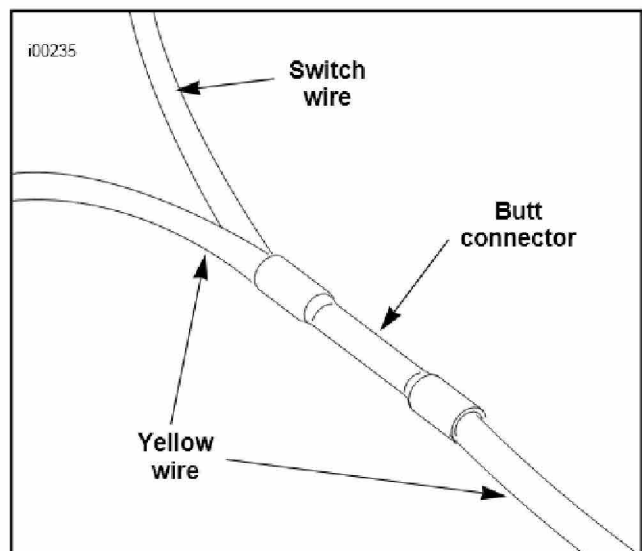


Figure 3. Splicing Fog Lamp Switch Wire

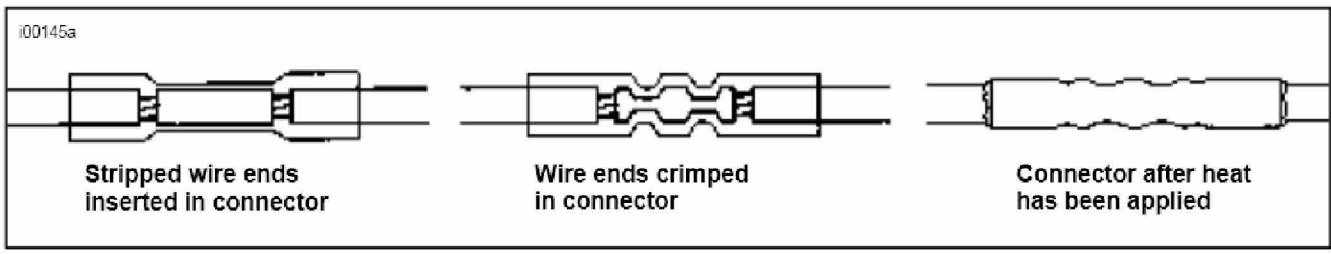


Figure 4. Installing Sealed Butt Splice

- Avoid directing the heat toward any fuel system component. Extreme heat can cause fuel ignition/explosion.
 - Avoid directing heat toward any electrical system component other than the connectors on which heat shrink work is being performed.
 - Be sure to turn the "ON/OFF" switch to the "OFF" position after use.
- d. See Figure 4. Using the UltraTorch UT-100 (H-D 39969), Robinair Heat Gun (H-D 25070) with Heatshrink Attachment (H-D 41183), or other suitable radiant heating device, heat the crimped splice to encapsulate the butt splice connection. Apply heat from the center of the crimp out to each end until the meltable sealant exudes out of both ends of the connector.
5. Remove seat according to procedures in the applicable Service Manual.
 6. Route harness end with relay connector and fuse block along frame backbone to area under seat.
 7. Connect fuse block lead (white wire) to copper plated (BAT.) terminal of main circuit breaker.
 8. Ground black wires terminated with ring terminals at ground stud under seat or at any good electrical ground point.
 9. Fasten fuse block, relay and relay connector with cable straps.

10. Install seat according to the procedures in the applicable Service Manual.

⚠WARNING

After installing seat, pull upward on front of seat to be sure it is locked in position. If seat is loose, it could shift position during vehicle operation and startle the rider, causing loss of control and personal injury. (I-sheet guide).

MOUNTING & CONNECTING FOG LAMPS

1. See Figure 5. Install fog lamps on engine guard as shown. Do not tighten.
2. Adjust lamps, to project beam below headlamp beam when directed at a vertical surface such as a wall or garage door. Tighten clamps to 10 ft.-lbs.
3. Route harness along engine guard and secure to bar using cable straps.
4. Connect harness wires to fog lamps.

⚠WARNING

Always connect the positive battery cable first. If the positive cable should contact ground with the negative cable installed, the resulting sparks may cause a battery explosion resulting in personal injury.

5. Connect battery, positive cable first.
6. Check for proper fog lamp operation.

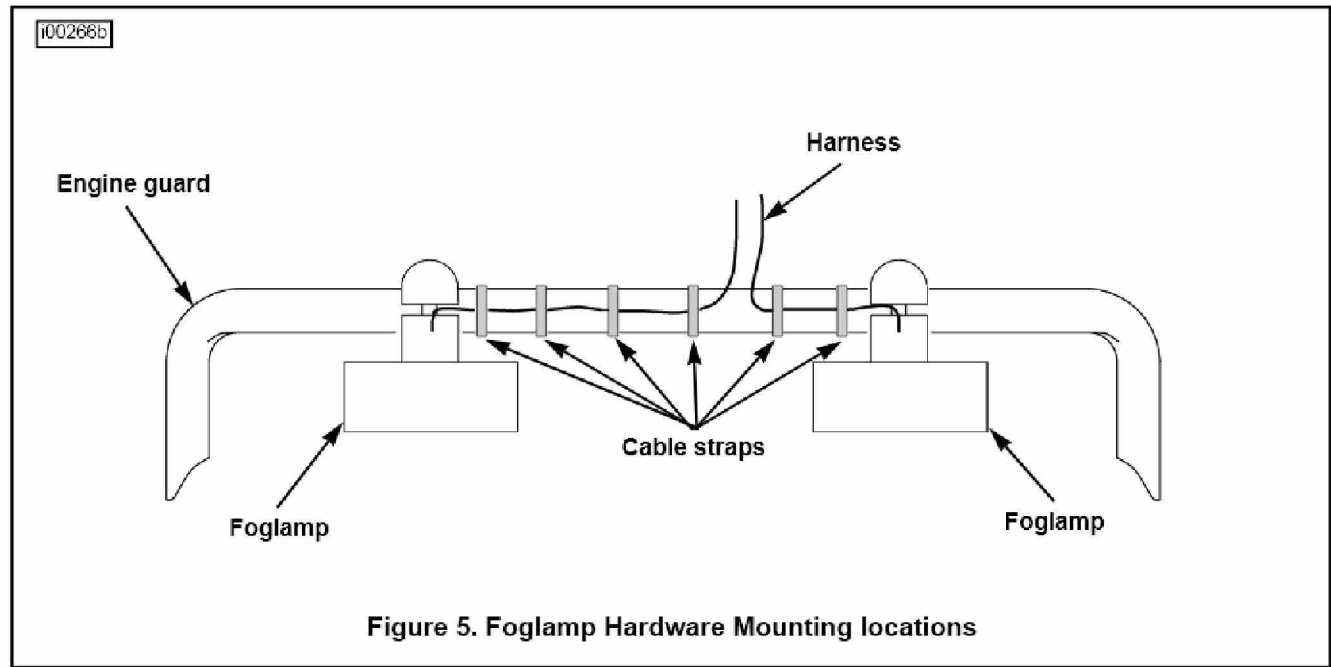


Figure 5. Foglamp Hardware Mounting locations



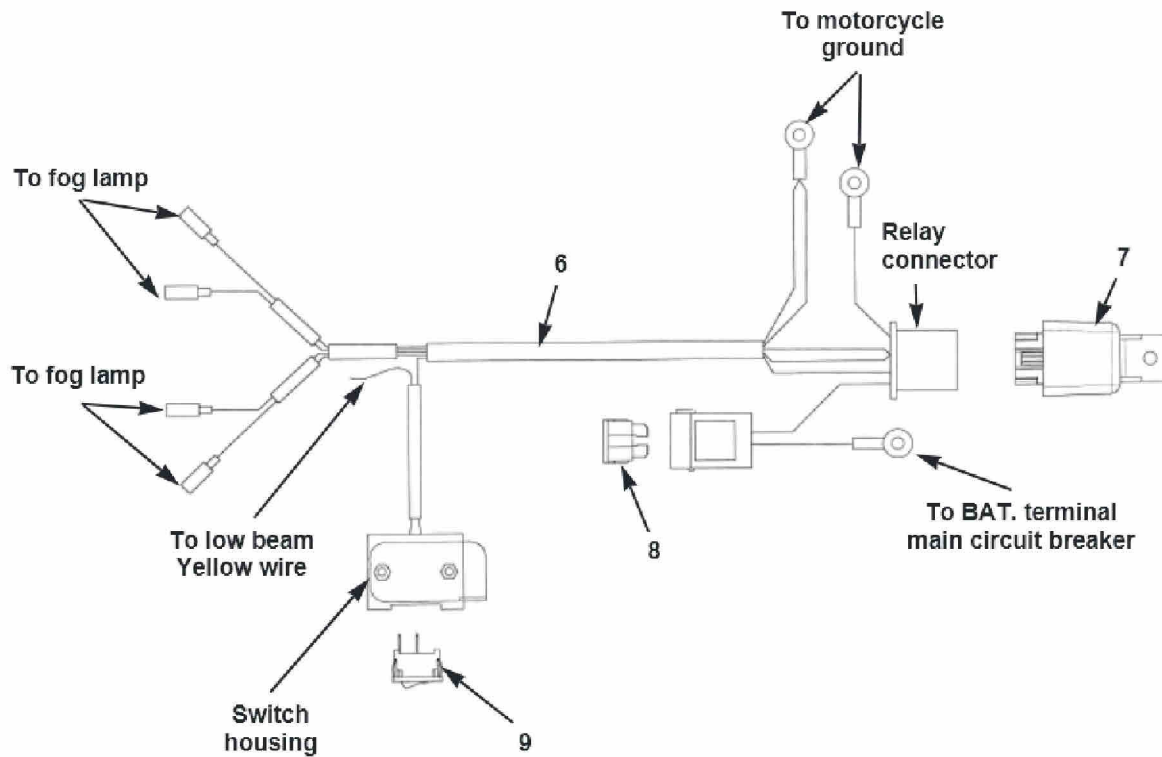
Service Parts

Part No. 68913-98

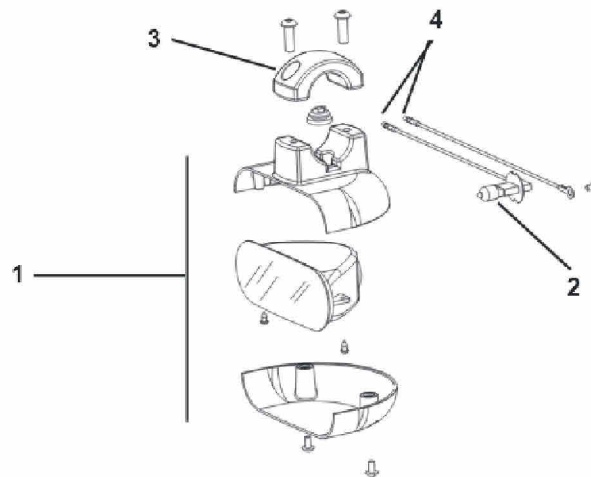
Date 8/98

Fog Lamp Kit

i01361.tif



i01362.eps



Item	Description	Part No.
1	Fog lamp assemblies (2)	68917-98
2	Bulb, H3	68918-98
3	Screw, clamp	94593-98
4	Heat-sealed splice connector	70586-93
5	Cable straps (12)	10065
6	Wiring harness	69154-98
7	Relay, power	71778-98
8	Fuse, blade 15 amp	71779-98
9	Switch	71780-98