



# INSTRUCTIONS

-J01171

REV. 4-1-81

Kit Numbers 90840-80, 90840-79

## SISSY BAR POUCH

This kit consists of the following parts:

Qty	Description
1	Pouch
3	Adhesive backed Velcro loops
3	Laces

1. See Figure 1. Place each of the three loose Velcro loops onto Velcro hooks located on pouch.
2. After cleaning sissy bar rail, peel

backing from top Velcro loop and fasten to top center of sissy bar rail.

3. Fasten bottom loops to rail.

### NOTE

FOR FXS MODEL, REMOVE BACKREST SEAT SCREW AND WASHER AND REINSTALL THROUGH POUCH.

4. Lace and tie pouch retainers to sissy bar rail with laces as shown.

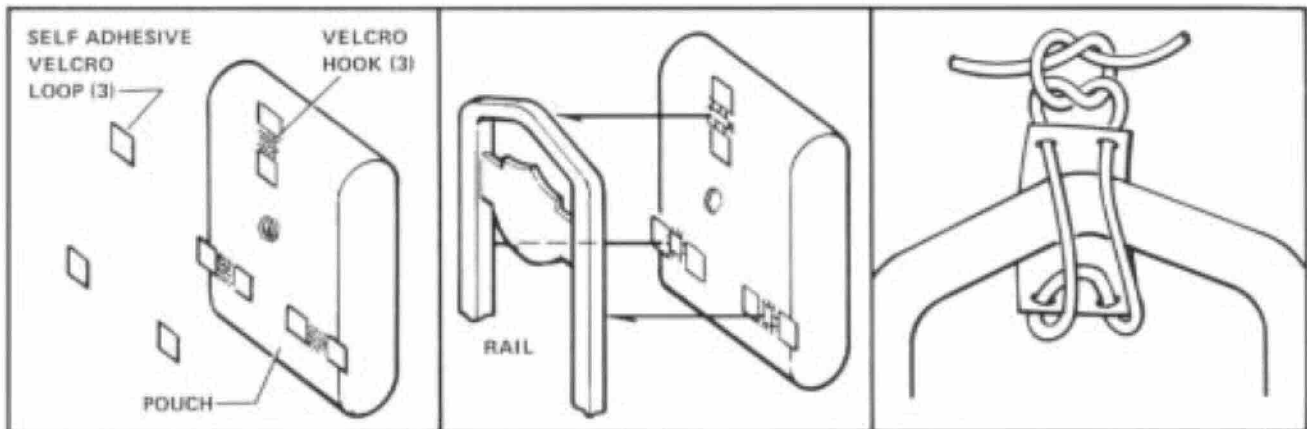


Figure 1. Installing Sissy Bar Pouch