



# INSTRUCTIONS

-J01112

REV. 12-6-00

Kit Numbers 52552-01 and 52554-01

## BILLET BACKREST PAD BACKING PLATE

### General

This backing plate kit is designed to replace the existing backplate on bikes equipped with mini or short rail uprights and backrests.

Kit 52552-01 is designed to fit all models equipped with "mini" backrest pad.

Kit 52554-01 is designed to fit all models equipped with short backrest pad.

See *Service Parts Illustration* for kit contents.

### Installation

1. Remove two screws securing existing chrome backplate to backrest pad. Discard chrome backplate and screws.
2. See *Service Parts Illustration* and Figure 1. Obtain backing plate and chrome screws from kit.
3. Position backing plate and backrest pad so they are parallel with rail uprights. Install screws and tighten to 48-60 in-lbs (5-7 Nm).



Figure 1. Backing Plate Installation

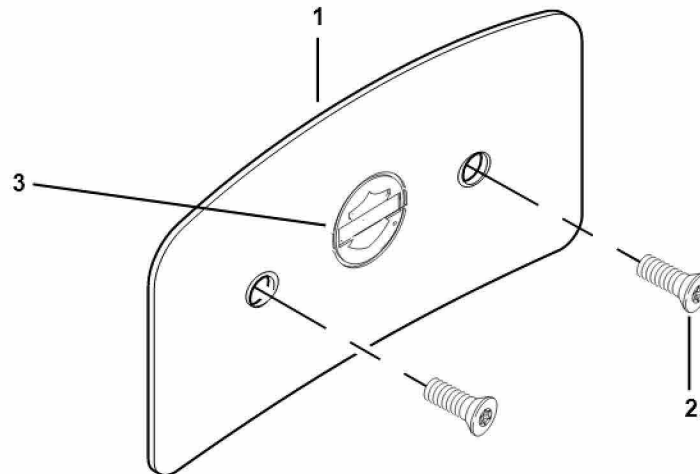


## Service Parts

Part Numbers 52552-01 and 52554-01 | Date 12/00

Billet Backrest Pad Backing Plate

i03412.eps



#### Kit 52552-01

Item	Description	Part Number
1	Bracket, backrest mounting (mini)	not sold
2	Screw, chrome (countersunk) (2)	2986
3	Medallion	not sold

#### Kit 52554-01

Item	Description	Part Number
1	Bracket, backrest mounting (short)	not sold
2	Screw, chrome (countersunk) (2)	2986
3	Medallion	not sold