



INSTRUCTIONS

-J01107

REV. 10-31-97

Kit Number 59671-98

REAR FENDER SUPPORT KIT

General

This kit is designed for 1994 through 1997 Sportster model motorcycles.

See Service Parts illustration below for items contained in this kit.

Installation

1. See Service Parts illustration. Remove the top screw and nut on license plate bracket and keep the nut for reinstallation.
2. Remove the screws and nuts in the rearmost holes of the fender support bracket. Save the screws for reinstallation.
3. **Being careful not to pinch any wires under the fender**, place the rear fender support bracket into position and reinstall the screws saved from step 2. Place the screw from kit into the top hole on license plate bracket and use the washer from kit, along with the nut saved from step 1, to secure the the screw in place. Tighten license plate bracket screw to 6 ft-lbs (8 Nm). Tighten fender support screws to 8-13 ft-lbs (11-18 Nm).



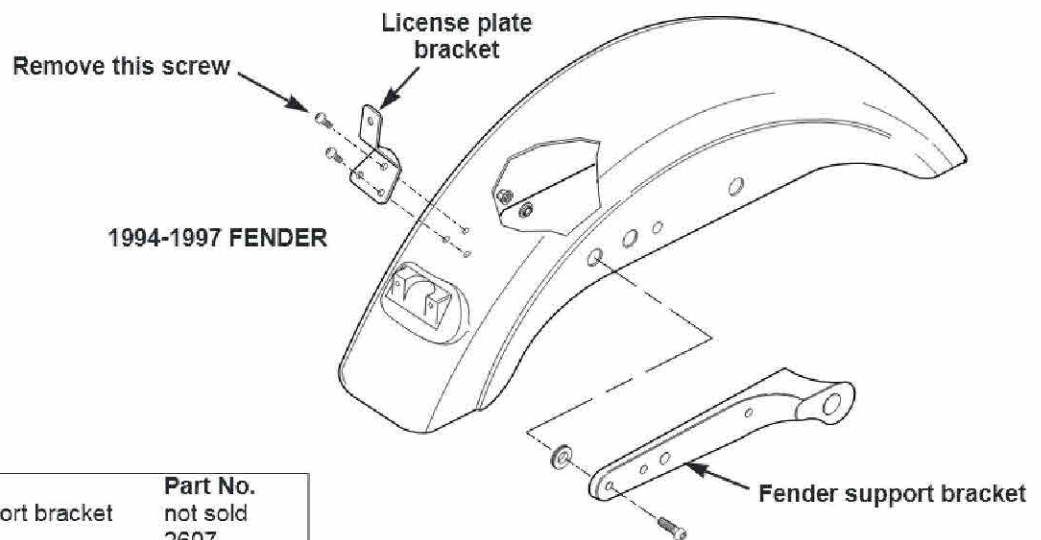
Service Parts

Part No. 59671-98

Date 10/97

Rear Fender Support Kit

sp59671



Item	Description	Part No.
1	Rear fender support bracket	not sold
2	Screw	2607
3	Washer	6703

