



# INSTRUCTIONS

-J01013

REV. 09-25-2000

Kit Numbers 58597-97, 57079-01

## SPORTSTER FRONT SPOILER

### General

These kits are designed to fit 1984-1/2 and later Sportster model motorcycles.

#### NOTE

*This spoiler cannot be used with Voltage Regulator Cover, Part Number 74579-97, unless motorcycle is also equipped with a Sport or Cafe Front Fender and a Voltage Regulator Hardware Kit, Part Number 74568-98.*

See Service Parts illustration for kit contents.

### Installation

1. See Service Parts illustration. Affix pads (7) to inside of spoiler in locations shown.
2. See Figure 1. Remove frame nut shown from right forward side of frame. Leave bolt in place.
3. See Figure 2 and Service Parts illustration. Attach upper and lower mounting brackets to frame with hardware shown in Service Parts illustration. Fully tighten the locknut on the upper bracket, but leave the frame nut that holds the lower bracket slightly loose so the bracket can be moved back and forth for positioning the spoiler.
4. See Figure 3. Remove clutch cable clamp from frame, rotate clamp 180 degrees, then reinstall clamp as shown in illustration. This will keep the clutch cable from rubbing against the spoiler.



Figure 2. Attaching Mounting Brackets

5. See Service Parts illustration. Place the spoiler in position and attach spoiler to brackets with screws, washers, and locknuts as shown. Align spoiler with frame as desired, then tighten all hardware, including the frame nut left loose during step 3.

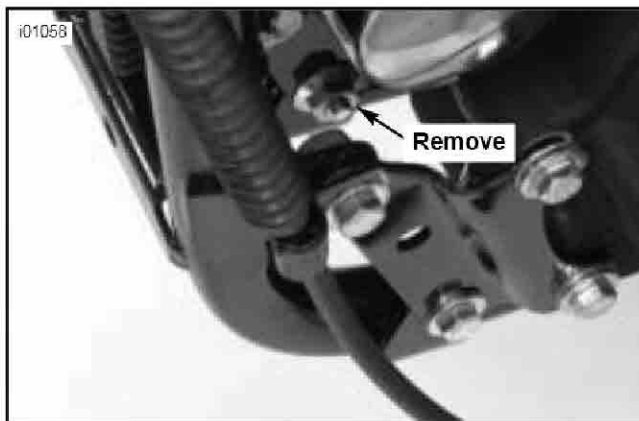


Figure 1. Removing Existing Nut

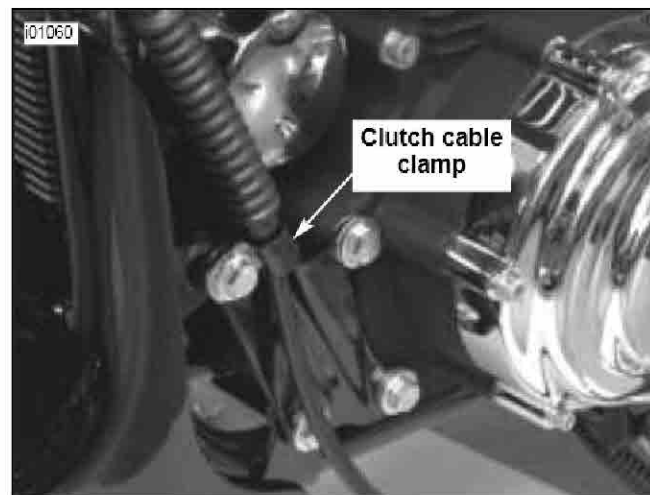


Figure 3. Repositioning Clutch Cable Clamp



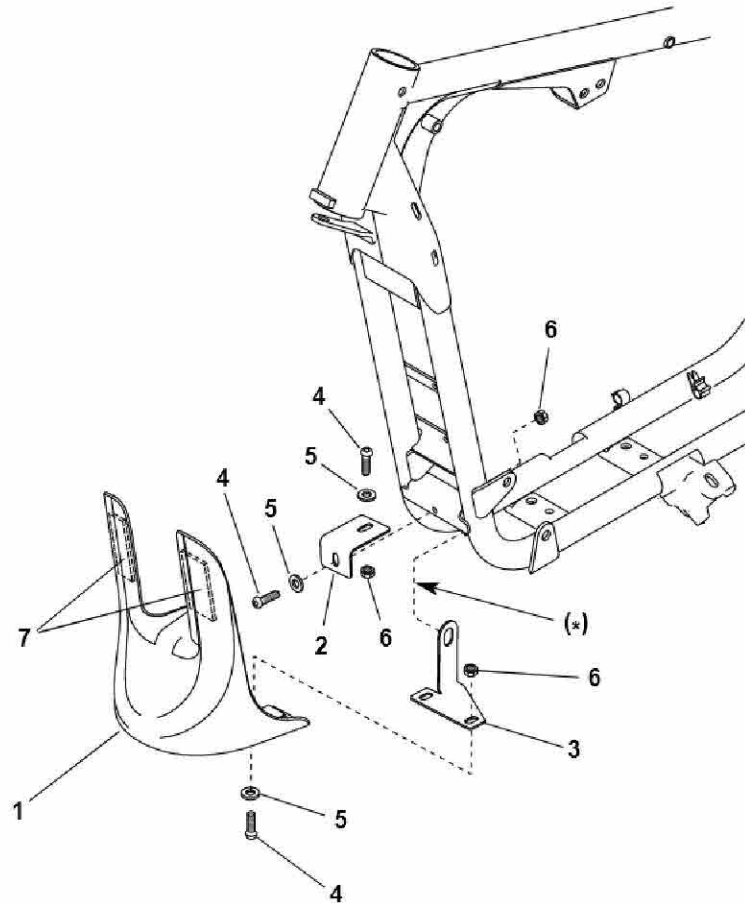
# Service Parts

Part No. 58597-97, 57079-01

Date 9-00

## Sportster Front Spoiler

i01054



Item	Description	Part No.
1	Spoiler	not sold separately
2	Upper bracket	not sold separately
3	Lower bracket	not sold separately
4	Button head screws (4)	923
5	Washers (4)	6703
6	Locknuts (4)	7686
7	Pads (2)	not sold separately

(\*) this attachment is made by reusing the stock hardware