



# INSTRUCTIONS

-J00880

REV. 5-15-97

Kit Number 90711-97

## SADDLEBAG KIT

### General

#### ⚠WARNING

- Additional weight can affect a motorcycle's stability, handling characteristics, and safe operating speed. The rider must be responsible for safe operation of the motorcycle when carrying additional weight. The following guideline should be used when equipping a motorcycle with saddlebags and/or carrying passengers and cargo.
- Do not exceed 7 lbs (3.1Kg) maximum load in each saddlebag. Carry an equal amount of weight in each saddlebag. Improper loading can cause vehicle handling problems, leading to personal injury.

This kit is designed to fit 1994 and later Sportsters (except 1996 and later XL 1200S Sport models).

#### NOTE

- This kit provides two different lengths of saddlebag bracket fasteners. The 5/16-18 x 2-1/8 in. buttonhead screws are to be used with sissy bar sideplate kit (Part No. 52782-82B).
- The shorter 5/16-18 x 2 in. buttonhead screws are to be used when sissy bar sideplate kit is **not** used.

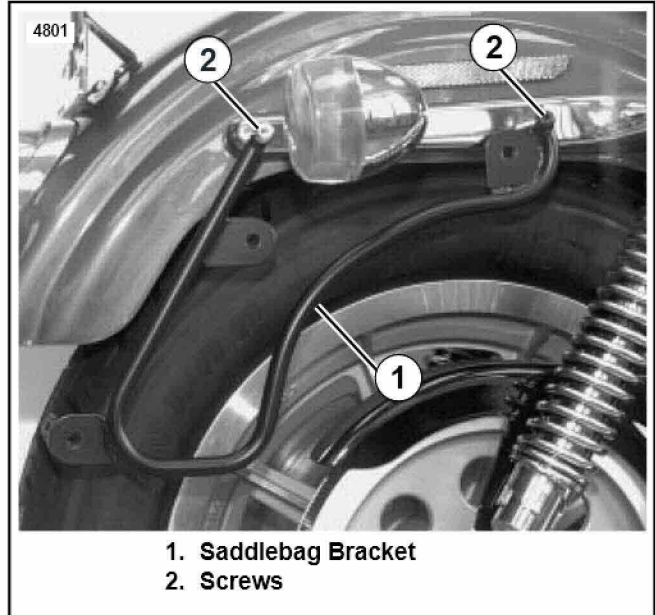
See Service Parts for kit contents.

### Installation

#### NOTE

These saddlebags are designed to fit around the rear turn signals.

1. Remove screws and nuts from fender support brackets in locations where saddlebag bracket will mount (see Figure 1). On 1997 and earlier models, all screws thread into nuts. On 1998 and later models, the rear screws thread into a fender support brace under the fender. Discard all nuts and screws removed, but do not remove the fender brace on 1998 and later models.
2. See Service Parts illustration. Place saddlebag brackets in position on fender support and secure brackets with hardware as shown. See note above for guidance on which screws to use. On 1998 and later models, apply Loctite 242 (blue) to rear screw threads since they are threaded into the fender brace and not a locknut. Tighten screws to



1. Saddlebag Bracket  
2. Screws

Figure 1. Saddlebag bracket

8-10 ft-lbs.

3. Assemble isolator washers onto isolator bushings. Place 5/16-24 x 1-1/4 in. screws through bushings.
4. Place a screw and bushing assembly into the top hole inside the saddlebag back.
5. Push a saddlebag isolator over bushing with cone shape toward saddlebag.
6. Place saddlebag in position on bracket and install the screw into the bracket. Do not tighten screw at this time.
7. Install the assemblies in the other two holes. Tighten screws to 8-10 ft-lbs.
8. Repeat for other saddlebag.



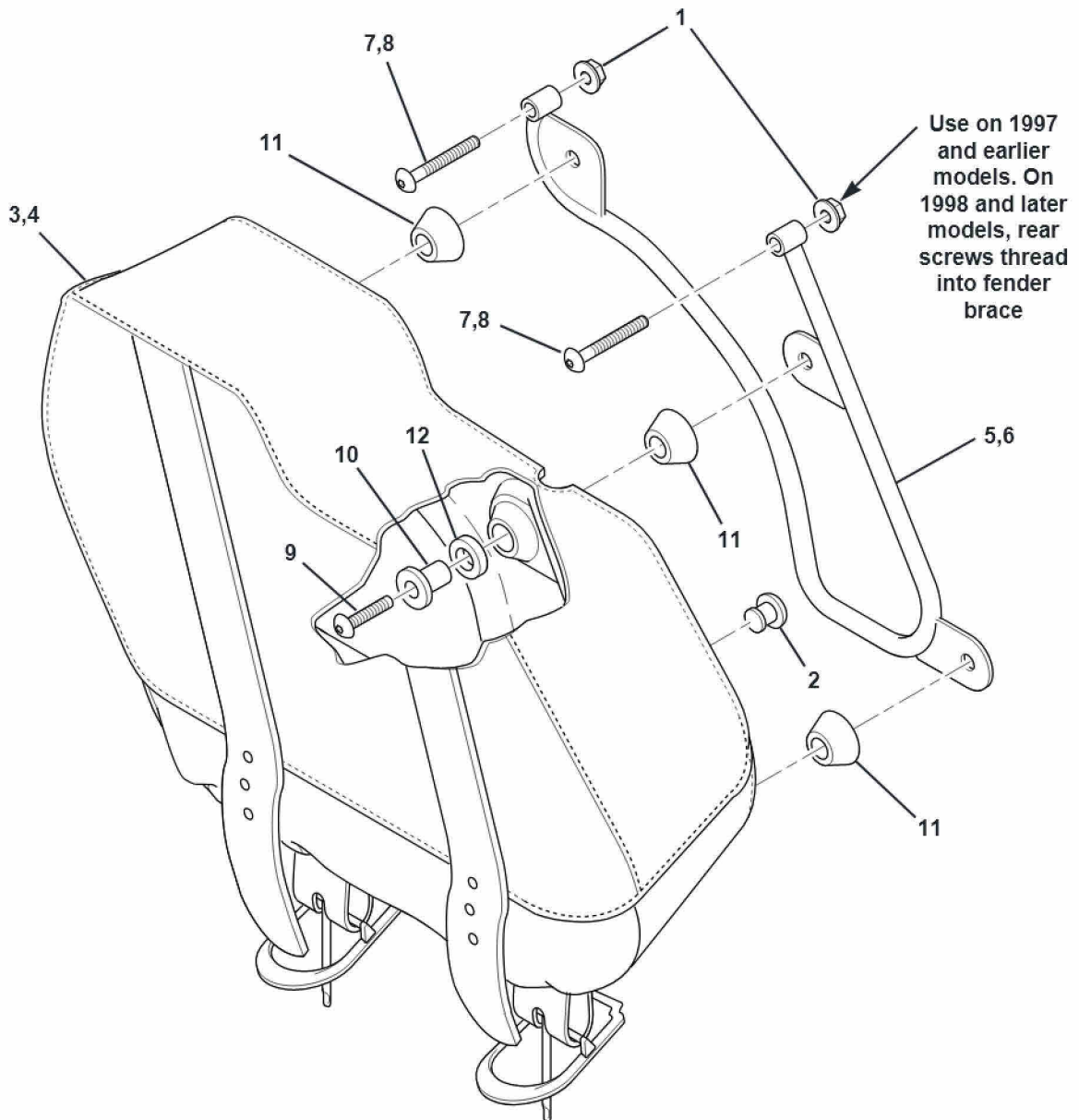
# Service Parts

Part No. 90711-97

Date 5/97

## Saddlebag Kit

sp90711



Item	Description	Part No.
1	Locknuts (4)	7531
2	Bumpers (2)	62123-66
3	Saddlebag, right side	91221-97
4	Saddlebag, left side	91222-97
5	Saddlebag bracket, right side	90574-94
6	Saddlebag bracket, left side	90575-94
7	Screws (4), 5/16-18 x 2 in. (used when sideplates <i>are not</i> used)	90577-94
8	Screws (4), 5/16-18 x 2-1/8 in. (used when sideplates <i>are</i> used)	90596-94
9	Screws (6)	90578-94
10	Isolator bushings (6)	90676-94
11	Isolators, saddlebag (6)	90677-94
12	Isolator washers (6)	90678-94