



INSTRUCTIONS

-J00798

REV. 07-15-04

Kit Numbers 43120-01 and 43121-01

SMOOTH CHROME BILLET FOOTPEGS

General

These footpegs are designed to fit all models with "male mount" style footpeg supports.

NOTE

Kit 43120-01 consists of large footpegs; Kit 43121-01 consists of small footpegs. Procedures and Figures describe large footpeg installation however, small footpeg installation is identical.

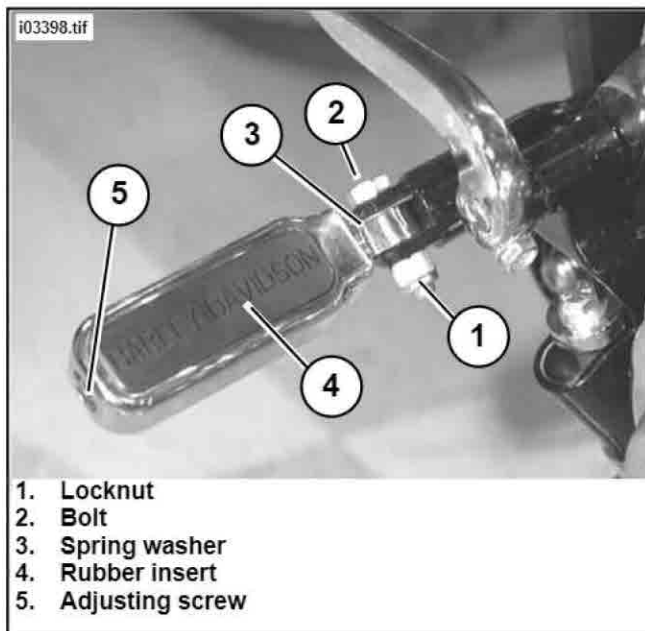
See Service Parts Illustration for kit contents.

Installation

1. See Figure 1. Remove locknut (1) and bolt (2), or pin and snap ring that secure existing footpeg in place. Save hardware for installation of new footpeg.
2. Remove existing footpeg along with spring washer (3). Save spring washer for re-installation.
3. Install chrome billet footpeg in the same manner as old footpeg was installed. Place spring washer (3) (saved in Step 1), along with mount end of new footpeg, inside slots of the footpeg support.
4. See Figure 2. Make sure spring washer (1) is positioned with the square edge (2) towards the inside of support.
5. See Figure 1. Secure footpeg (with spring washer) using bolt (2) and locknut (1), or pin and snap ring saved in step 1. Tighten hardware to 19 ft-lbs (26 Nm).
6. Loosen adjusting screw (5) on the end of the footpeg until footpeg rotates. Position footpeg as desired, then tighten adjusting screw to 21 ft-lbs (29 Nm). Perform steps 1 through 6 for the opposite side.

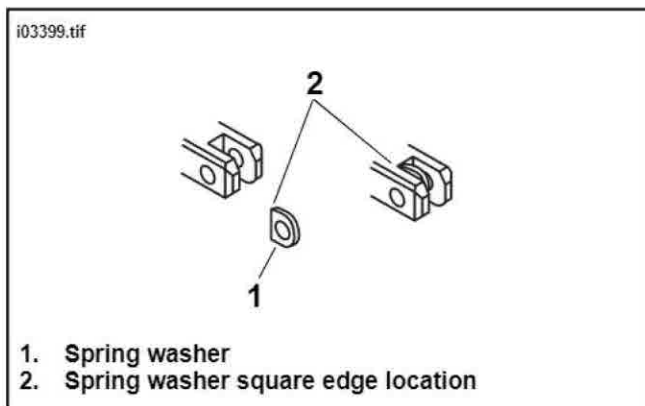
NOTE

See Service Parts Illustration. Whenever rubber insert (4) or mount (1) is replaced, either replace the adjusting screw (2), or re-apply a small amount of LOCTITE 243 (Blue) to threads (of original screw) before installation.



1. Locknut
2. Bolt
3. Spring washer
4. Rubber insert
5. Adjusting screw

Figure 1. Footpeg Components



1. Spring washer
2. Spring washer square edge location

Figure 2. Footpeg Installation

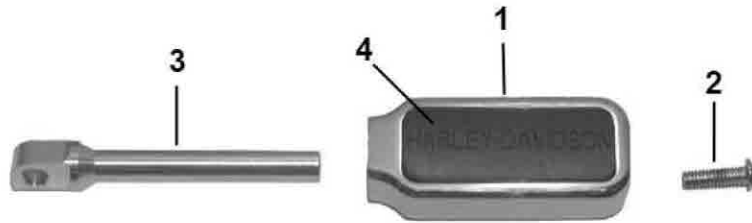


Service Parts

Part Numbers 43120-01 and 43121-01 | Date 07/04

Smooth Chrome Billet Footpegs

i03400.tif



Kit 43120-01

Item	Description/Qty	Part Number
	Assy, footpeg (large) (2)	43142-01
each assembly consists of:		
1	Footpeg (2)	not sold separately
2	Screw (2)	43269-01
3	Mount (2)	43271-01
4	Insert, rubber (2)	43208-01

Kit 43121-01

Item	Description/Qty	Part Number
	Assy, footpeg (small) (2)	43143-01
each assembly consists of:		
1	Footpeg (2)	not sold separately
2	Screw (2)	43269-01
3	Mount (2)	43271-01
4	Insert, rubber (2)	43209-01