



INSTRUCTIONS

-J00749

REV. 12-18-96

Kit Numbers 51655-97

DETACHABLE PASSENGER SEAT HARDWARE KIT

General

This kit provides the hardware to make your passenger seat removable without tools. This kit is designed for 1997 and later XL models equipped with 2-piece seats. Does not fit XLH 1200 models.

See Service Parts illustration for kit contents.

Installation

1. See Figure 1. Push the pillion seat foam pad and cover rearward, which will expose the panhead or Torx mounting screw between the seat and the pillion. Loosen the mounting screw several turns.
2. Remove the screw from the rear pillion bracket and save for use later.
3. Slide pillion seat to the rear of the motorcycle and lift seat to remove.
4. Remove and discard panhead or Torx mounting screw, lockwasher, and flatwasher. Retain grab strap.
5. Slide solo seat to the rear of the motorcycle and lift seat to remove.
6. Remove and discard the existing bracket from the rider seat. Keep the two screws for use with the new bracket supplied in this kit.
7. See Figure 2. Locate the rider seat bracket (1). Place the bracket on bottom of rider seat with knob facing upward. Install one of the original screws (2) through the front hole in bracket and into the front threaded hole in seat. Tighten screw about two turns.
8. Insert other original screw (3) through rear hole in rider seat bracket and, with grab strap ends looped together, insert screw through one outside hole and one inside hole in grab strap as shown in Figure 2. Make certain you have grab strap positioned between bracket (1) and seat base. Insert screw (3) into rear threaded hole in seat and tighten both screws securely.
9. See Service Parts illustration. Remove adhesive backing from pad (4) and apply pad to underside of passenger seat.
10. Place the rider seat on frame and slide it forward so front bracket engages tab on frame.
11. Insert the stock screw saved in step 2 through the hole at rear of rider seat bracket and thread screw into the fender retention nut. Tighten the screw securely.

⚠WARNING

After installing seat, pull upward on front of seat to be sure it is locked in position. If seat is loose, it could shift position during vehicle operation causing loss of control and personal injury.

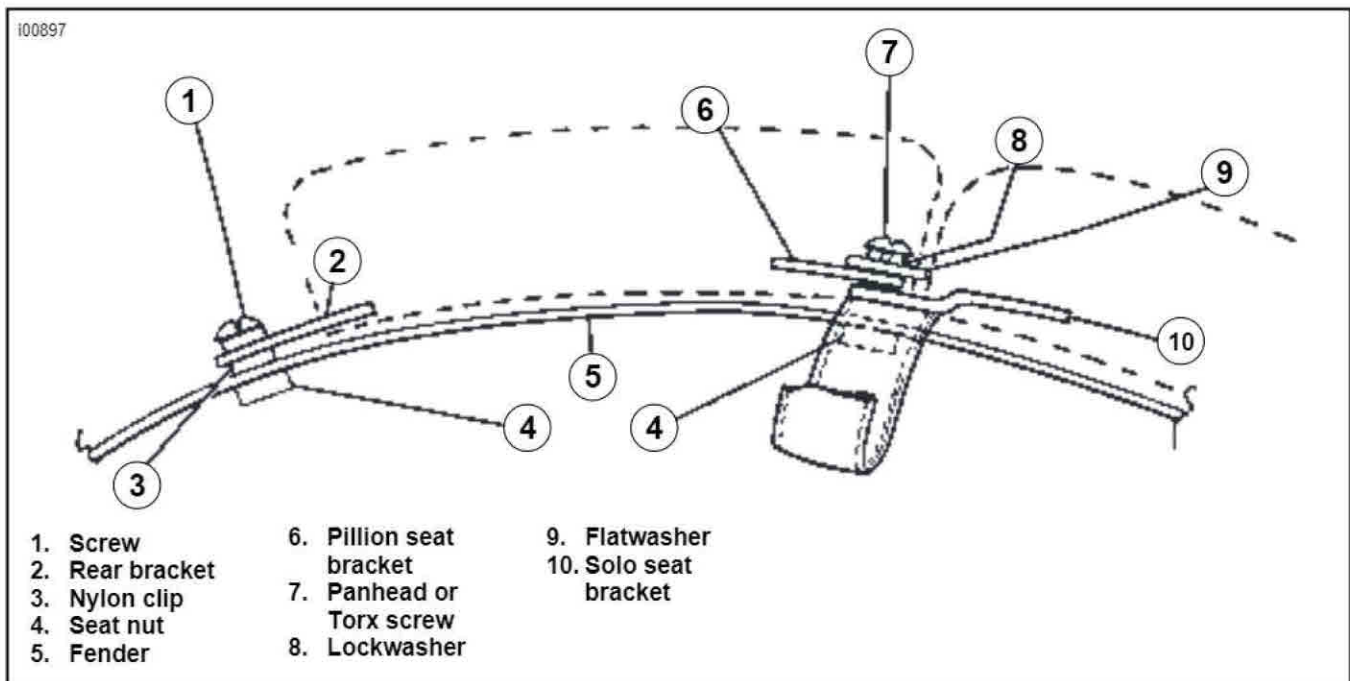
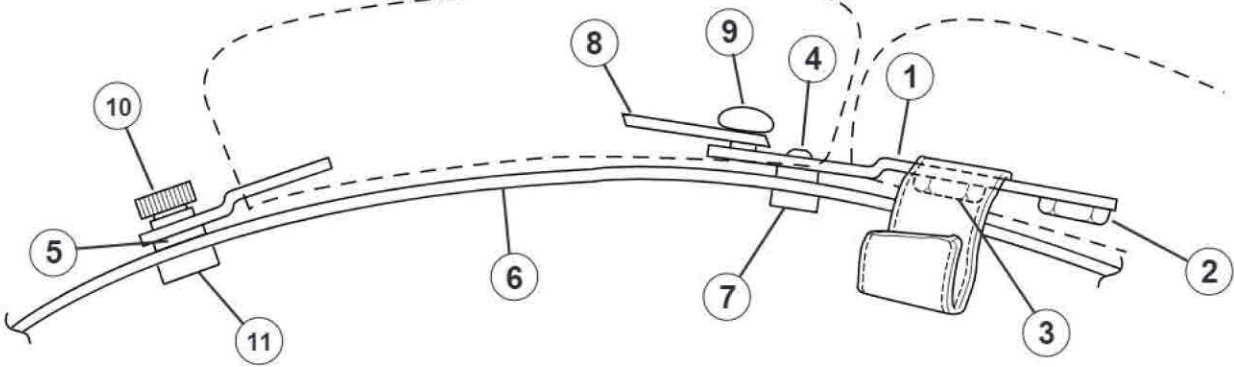


Figure 1



- | | | |
|-----------------------|-------------------------|-------------------|
| 1. Rider seat bracket | 6. Fender | 10. Knob |
| 2. Original screw | 7. Front seat nut | 11. Rear seat nut |
| 3. Original screw | 8. Slotted pillion seat | |
| 4. Screw | 9. Button | |
| 5. Nylon clip | | |

Figure 2

12. See Service Parts Illustration. Remove backing paper from H-D emblem (1) and install emblem on top of knurled knob (2).
13. Slide slot in front bracket of passenger seat into groove under button of rider seat bracket.
14. Install knurled knob into fender retention nut to secure passenger seat. Tighten with fingers only.

⚠WARNING

After installing seat, pull upward on front of seat to be sure it is locked in position. If seat is loose, it could shift position during vehicle operation causing loss of control and personal injury.

NOTE

If passenger seat is removed, install the knurled knob in the threaded hole in the fender. This will aid appearance and prevent knob from being lost.

⚠WARNING

Do not install passenger seats on motorcycles that are not equipped with appropriate passenger footpegs and grab strap. Footpegs and grab strap will help passenger stabilize his/her position while motorcycle is in motion. If footpegs and grab strap are not installed, a passenger could fall from moving motorcycle or grab onto operator, causing loss of control and possible personal injury.



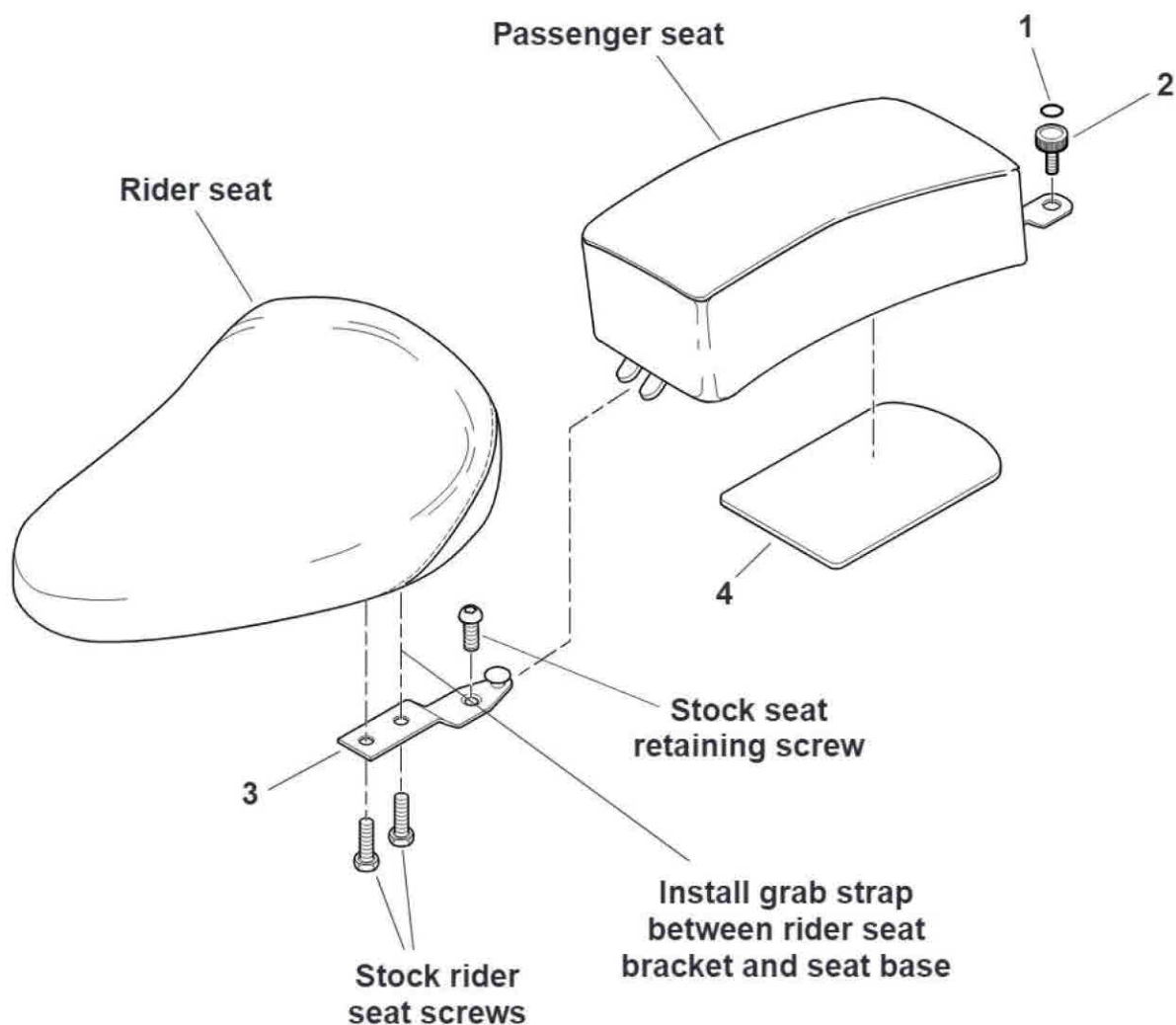
Service Parts

Part No. 51655-97

Date 12-96

Passenger Seat Kit

sp51655



Item	Description	Part No.
1	H-D emblem	14628-96
2	Knob, 1/4-20 (knurled)	3694
3	Passenger seat bracket	51636-97
4	Pad (apply to bottom of passenger seat)	52691-96