



INSTRUCTIONS

-J00732

2013-11-01

BACKREST KIT

GENERAL

Kit Numbers

51130-98, 51132-98, 52347-97, 52348-97, 52350-97, 52415-98, 52512-02

Models

For model fitment information, see the P&A retail catalog or the Parts and Accessories section of www.harley-davidson.com (English only).

Kit Contents

See Figure 1 and Table 1.

INSTALLATION

1. With your hand, feel through the backrest material to locate mounting holes.
2. Carefully cut holes in material at mounting locations as applicable. Cut only enough material away for screw to enter backrest.
3. See Figure 1. Secure backrest (4) to sissy bar using bracket (3) and pan head screws (1).
4. Install flat head screw (2) through center hole into backrest (4).
5. Tighten all screws securely. Do not overtighten.

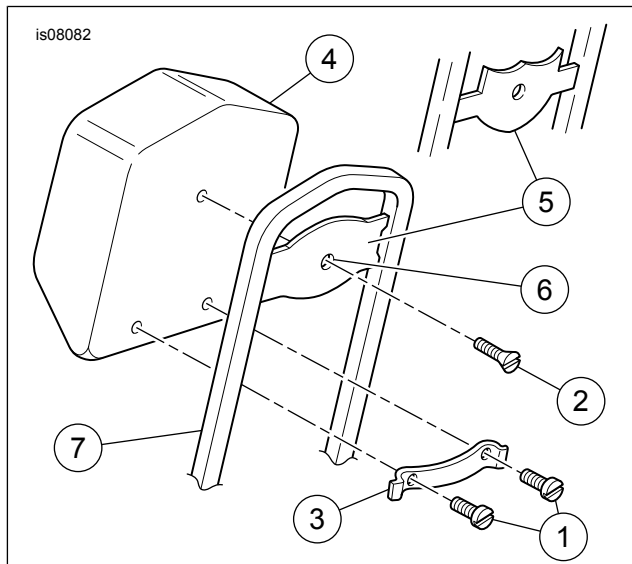


Figure 1. Service Parts

Table 1. Service Parts

Item	Description (Quantity)	Part Number
1	Screw, pan head, 1/4-20x1 in. (2)	2538
2	Screw, flat head, 1/4-20x1 in.	1617
3	Bracket, back rest	52771-82
4	Backrest	Not sold separately

Table 1. Service Parts

Item	Description (Quantity)	Part Number
5	Plate	Not included
6	Center hole	Not included
7	Sissy bar	Not included

NOTE: For illustration purposes, a generic style backrest is shown.

