



# INSTRUCTIONS

-J00694

REV. 10-2-96

Kit Numbers 58309-95A, 58310-95A, 58312-95A, and 58361-95A to 58363-95A

## WINDSHIELD TRIM KITS

### General

This Instruction Sheet applies to windshield trim kits:

PART NO.	FINISH	MODEL FITMENT
58309-95A	smooth	All XL, FXR, FXD and FXSTS with permanently mounted Compact windshields
58361-95A	engraved	
58310-95A	smooth	All FLSTC, FLSTF, FLSTN and FLH with permanently mounted King Size windshields
58362-95A	engraved	
58312-95A	smooth	All FXSTC and FXDWG with permanently mounted Compact windshields
58363-95A	engraved	

### Kit contents:

QTY	DESCRIPTION
1	Brace, horizontal, front
1	Brace, vertical-right hand
1	Brace, vertical-left hand
2	#12-24x13/16 in. T-head screw
2	#12-24x3/4 in. T-head screw
5	#12-24x11/16 in. L-head screw
1	#12-24x approx. 7/8 in. T-head screw

### Installation

- See Figure 1. Remove windshield assembly from motorcycle.

- Remove all hardware securing front mounting brackets (braces) (1, 2, 3) to windshield. Save the nine acorn nuts. Discard screws, washers, and front braces (1, 2, 3). On later models a T-27 TORX screwdriver is required to remove the nine screws.

- See Figure 1 and Service Parts Illustration on page 3. Slide five screws (4, 6) into groove in center of front horizontal brace (1). If a windshield bag is to be used, slide five screws (4,6,7) into groove in center of front horizontal brace as shown in Service Parts Illustration.

- Check that the two outer 11/16 inch L-head screws (6) are positioned with short side of head facing to the outside end of brace (1).

- Align screws in front horizontal brace (1) to holes in windshield.

Position front horizontal brace (1) so edge with slots faces down.

Gently push screws through windshield, stock horizontal brace (7), and adjustable bracket (8) on rear of windshield.

- Install acorn nuts on the center and outer screws and tighten one turn.

### NOTE

In next step right and left are defined as viewed by the rider seated on the motorcycle.

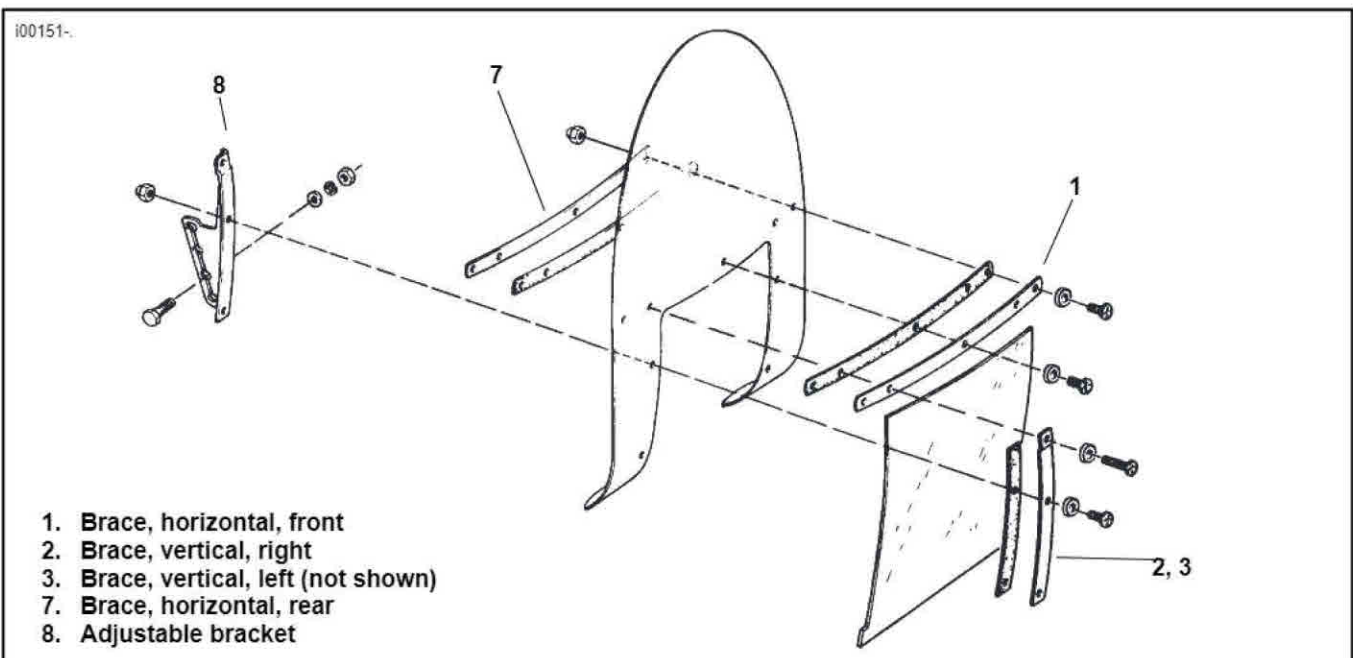


Figure 1. Windshield, Bracket Assembly

7. See Figure 1 and Service Parts Illustration on page 3. Locate right hand vertical brace (2). Slide an 11/16 inch L-head screw (6), with short side of head facing lower end of brace, into groove in center of brace.
8. Slide a T-head, 3/4 in. screw (5) into brace (2). Align screws in vertical brace with holes in windshield. Gently push screws through windshield and stock adjustable bracket (8).
9. Place acorn nuts on the vertical brace screws and tighten one turn.
10. Repeat steps 7 through 9 for the left hand brace (3).

11. Adjust vertical braces (2, 3) until tines engage slots in horizontal brace (1).

**CAUTION**

**Do not over tighten fasteners. Over tightening can crack the windshield.**

12. If a windshield bag is to be used, attach the windshield bag to the center horizontal screw (7).
13. Tighten all acorn nuts to 1-2 ft-lbs.(12-24 in.lbs).
14. Reattach windshield assembly to motorcycle.

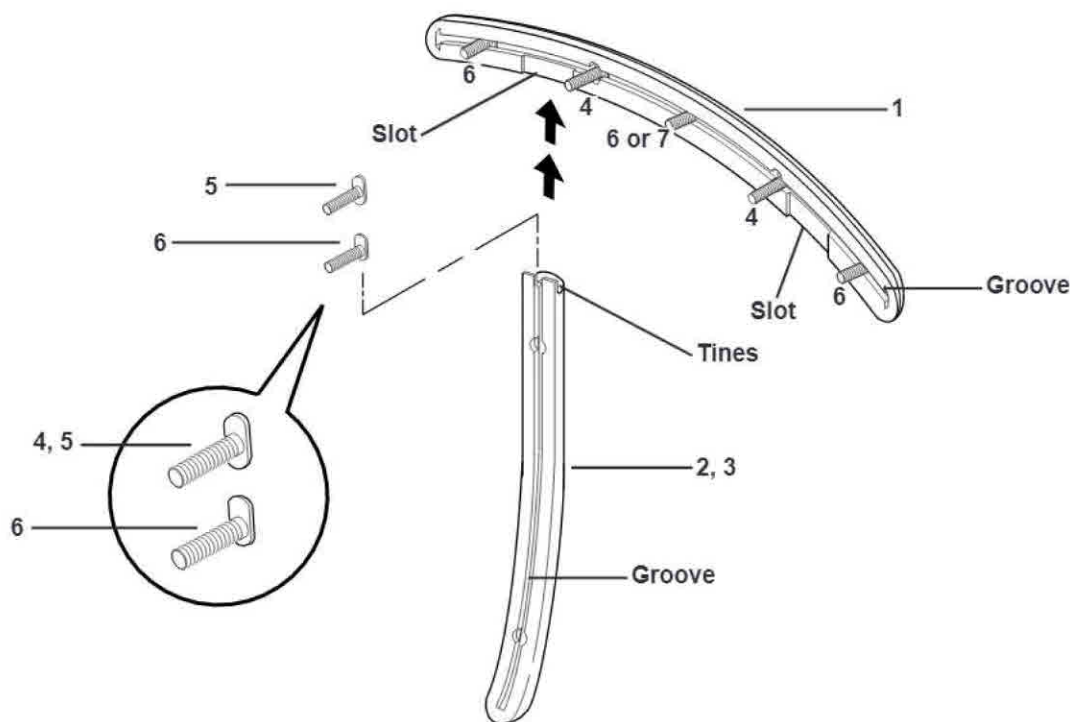


# Service Parts

Part No. 58309-95A

Date 10/96

## Windshield Trim Kit



**KIT PART NO.58309-95A**

Item	Description	Part No.
1	Brace, horizontal	58540-95
2	Brace, vertical, right side	58546-95
3	Brace, vertical, left side	58547-95
4	T-head screw, #12-24 x 13/16 in.	58552-95
5	T-head screw, #12-24 x 3/4 in.	58553-95
6	L-head screw, #12-24 x 11/16 in.	58555-95
7	T-head screw, #12-24 x approx 7/8 in.	

**KIT PART NO.58310-95A**

Item	Description	Part No.
1	Brace, horizontal	58541-95
2	Brace, vertical, right side	58546-95
3	Brace, vertical, left side	58547-95
4,5,6,7	Same as kit 58309-95	

**KIT PART NO.58312-95A**

Item	Description	Part No.
1	Brace, horizontal	58542-95
2	Brace, vertical, right side	58546-95
3	Brace, vertical, left side	58547-95
4,5,6,7	Same as kit 58309-95	

**KIT PART NO.58361-95A**

Item	Description	Part No.
1	Brace, horizontal	58543-95
2	Brace, vertical, right side	58546-95
3	Brace, vertical, left side	58547-95
4,5,6,7	Same as kit 58309-95	

**KIT PART NO.58362-95A**

Item	Description	Part No.
1	Brace, horizontal	58544-95
2	Brace, vertical, right side	58546-95
3	Brace, vertical, left side	58547-95
4,5,6,7	Same as kit 58309-95	

**KIT PART NO.58363-95A**

Item	Description	Part No.
1	Brace, horizontal	58545-95
2	Brace, vertical, right side	58546-95
3	Brace, vertical, left side	58547-95
4,5,6,7	Same as kit 58309-95	