



INSTRUCTIONS

-J00441

REV. 3-1-99

Kit Number 69112-95A

XLH 883 CHROME HORN KIT

General

This kit is designed for installation on 1992 and later 883 XLH model vehicles.

QTY DESCRIPTION

1	Enrichener bracket (1992 – 1994)
1	Locknut
1	Enrichener bracket (1995 and later)
1	Screw
1	Rubber mount
2	Bolt, 1/4-20 x 1/2 in.
1	Clip, horn wire mount
1	Bracket, horn
1	Lockwasher
1	Nut, acorn
2	Clip nut, horn mount
1	Cover assembly, horn
1	Horn, low note, with nut
1	Bolt, 5/16-18 x 3-5/8 in.
1	Bolt, 5/16-18 x 3 in.
1	Lockwasher, internal tooth
2	Cable strap

WARNING

To avoid accidental start-up of motorcycle, and possible personal injury, disconnect the battery cables (negative cable first) before performing any of the following procedures. If the battery should contact ground with the negative cable installed, the resulting sparks may cause a battery explosion resulting in death or serious personal injury.

Installation- All Models

- See Figure 1. Remove nut from horn mounting stud (1). Assemble chrome horn cover (4) onto horn (5) using the *middle* hole in the horn cover bracket (6), as shown. Install lockwasher (2) supplied in kit onto the horn mounting stud (1). Apply 1-2 drops of Loctite 242 (blue) to the threads of the mounting nut (3). Tighten nut to 110 in-lbs.
- Push clip nuts (7) into bracket holes on top and bottom of horn cover bracket (6).
- See Figure 2. Place horn mounting bracket (1) over top and bottom holes in horn cover bracket (2). Install 1/4-20 x 1/2 in. bolt (3) from kit through lower hole in bracket. Insert remaining 1/4-20 x 1/2 in. bolt (4) through hole in horn wire clip (5) and secure bolt (4) to top hole in horn mounting bracket (1). Tighten bolts (3 and 4) to 5-8 in-lbs.

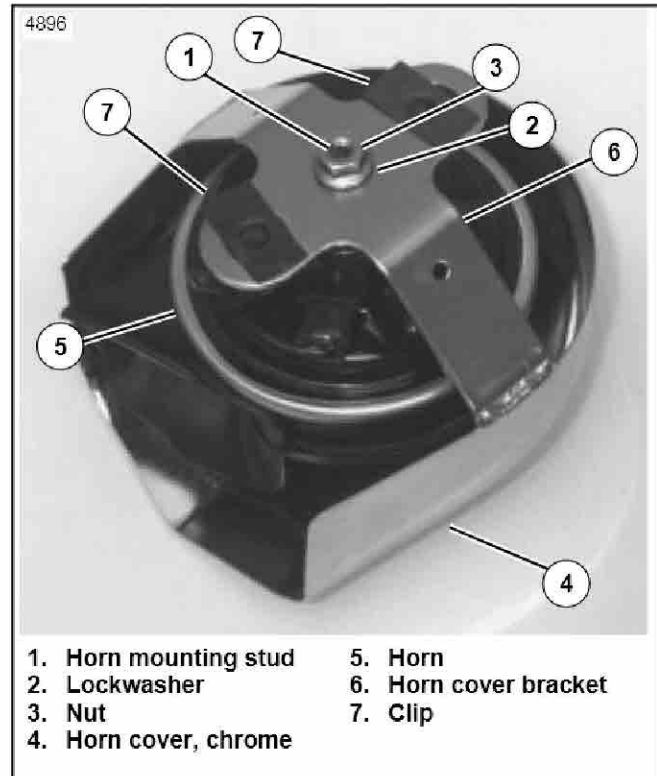


Figure 1. Horn Cover and Hardware - All Models

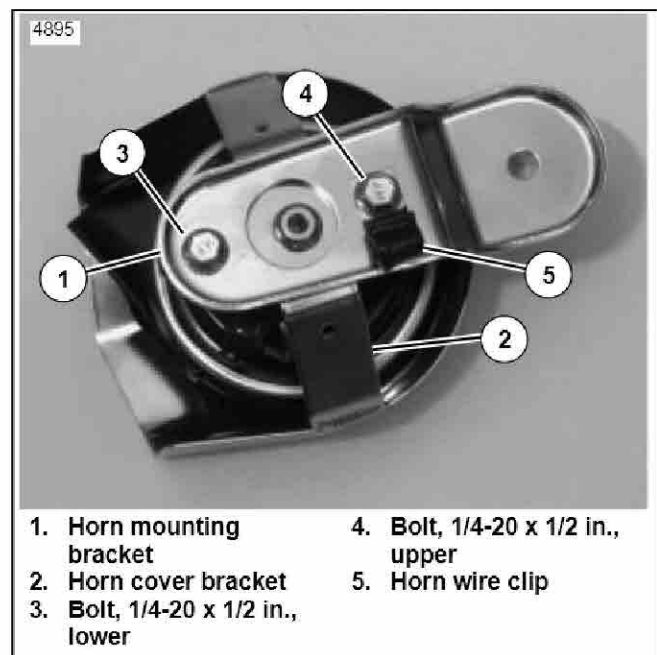


Figure 2. Horn Mounting Bracket Installation

Installation- 1992 – 1994 XL Models

1. Remove front fuel tank / coil mounting bolt and nut. Remove original horn and horn spacer. Retain nut.
2. Raise front of tank to expose cable strap securing horn wire lead(s) to frame. Cut cable strap and remove horn wire(s) from wire bundle. Secure remaining wires to frame with new cable strap from kit.
3. Route horn wire behind engine bracket for later reinstallation.

NOTE

In the next step, the following bolt from kit should be used with the corresponding model years:

1992 XL 5/16-18 x 3 in. bolt
1993-1994 XL 5/16-18 x 3-5/8 in. bolt

4. Install new front bolt from kit to fuel tank mount, using 5/16-18 x 3 in. bolt on 1992 models and 5/16-18 x 3-5/8 in. bolt on 1993 and 1994 models. Tighten bolt to 96-192 in-lbs (10.8-216 N-M.)
5. Loosen nut on back of enricher cable and remove cable from bracket.
6. See Figure 3. Loosen ignition switch housing nut on underside of engine bracket (1). Remove allen head bolt (2) and existing enricher bracket (not shown) from top of engine bracket (1).
7. Install new enricher bracket (3) from kit (in same location as original) using new allen head bolt (2) from kit. Tighten to 6-120 in-lbs (6.7-13.5 N-M.)

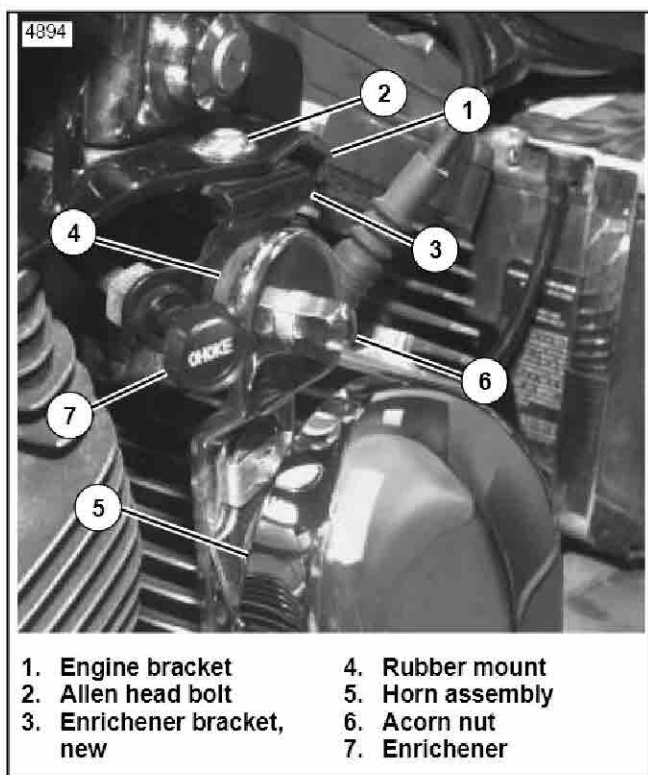


Figure 3. Horn Assembly Installation - 1992 - 1994 Models

8. Tighten ignition switch housing nut. Reinstall enricher cable. Tighten nut securely.
9. Install rubber mount (4) onto enricher bracket (3).
10. Reconnect wires from harness to horn. Install wire into horn wire bracket.
11. Position horn assembly (5) into place onto rubber mount (4). Install lockwasher over stud. Secure assembly using acorn nut (6) from kit. Tighten to 60-180 in-lbs (6.7-20 N-M.)

WARNING

Always connect the positive battery cable first. If the positive cable should contact ground with the negative cable installed, the resulting sparks may cause a battery explosion resulting in death or serious injury.

12. Using cable strap, secure excess horn wire to main wiring harness under tank. Reconnect battery and test horn assembly for proper operation.

Installation- 1995 and Later XL Models

1. Remove front fuel tank / coil mounting bolt and nut. Remove original horn and horn spacer. Retain nut.
2. Install new 3-5/8 in. bolt included with kit using original nut. Tighten bolt to 96-192 in-lbs (10.8-216 N-M.)
3. Cut cable strap and remove horn wire(s) from wire bundle. Secure remaining wires to frame with new cable strap from kit.
4. See Figure 4. Loosen nut on back of enricher cable. Remove enricher cover and relocate enricher (1) below engine bracket.

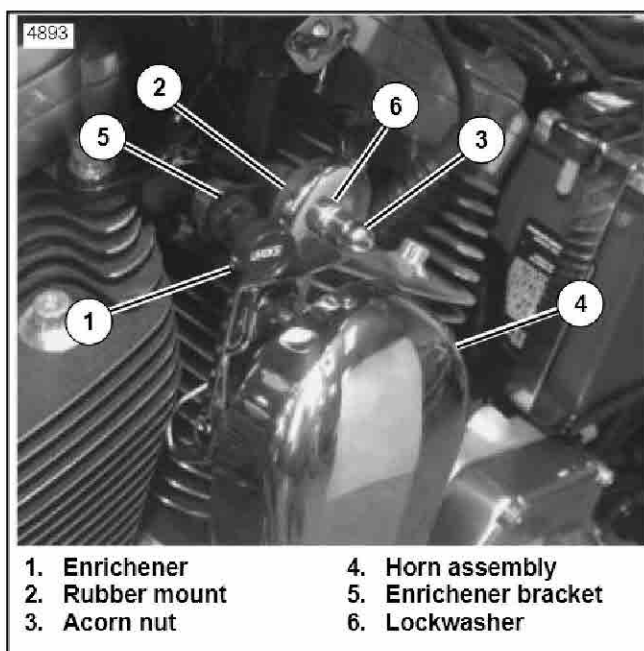


Figure 4. Horn Assembly Installation 1995 and Later Models

5. Place enrichener bracket (5) over engine bracket. Install rubber mount (2) through enrichener and engine brackets. Secure with locknut. Tighten to 60-180 **in-lbs** (6.7-20 **N-M**.)
6. Reinstall enrichener cable to enrichener bracket and tighten nut securely.
7. Route horn wire through large opening in engine bracket. Reconnect wires from harness to horn. Install wire into horn wire bracket.
8. Position horn assembly (4) into place onto rubber mount (2). Install lockwasher (6) over stud. Secure assembly using acorn nut (3) from kit. Tighten to 60-180 **in-lbs** (6.7-20 **N-M**.)

 **WARNING**

Always connect the positive battery cable first. If the positive cable should contact ground with the negative cable installed, the resulting sparks may cause a battery explosion resulting in death or serious injury.

9. Using cable strap, secure excess horn wire to main wiring harness under tank. Reconnect battery and test horn assembly for proper operation.



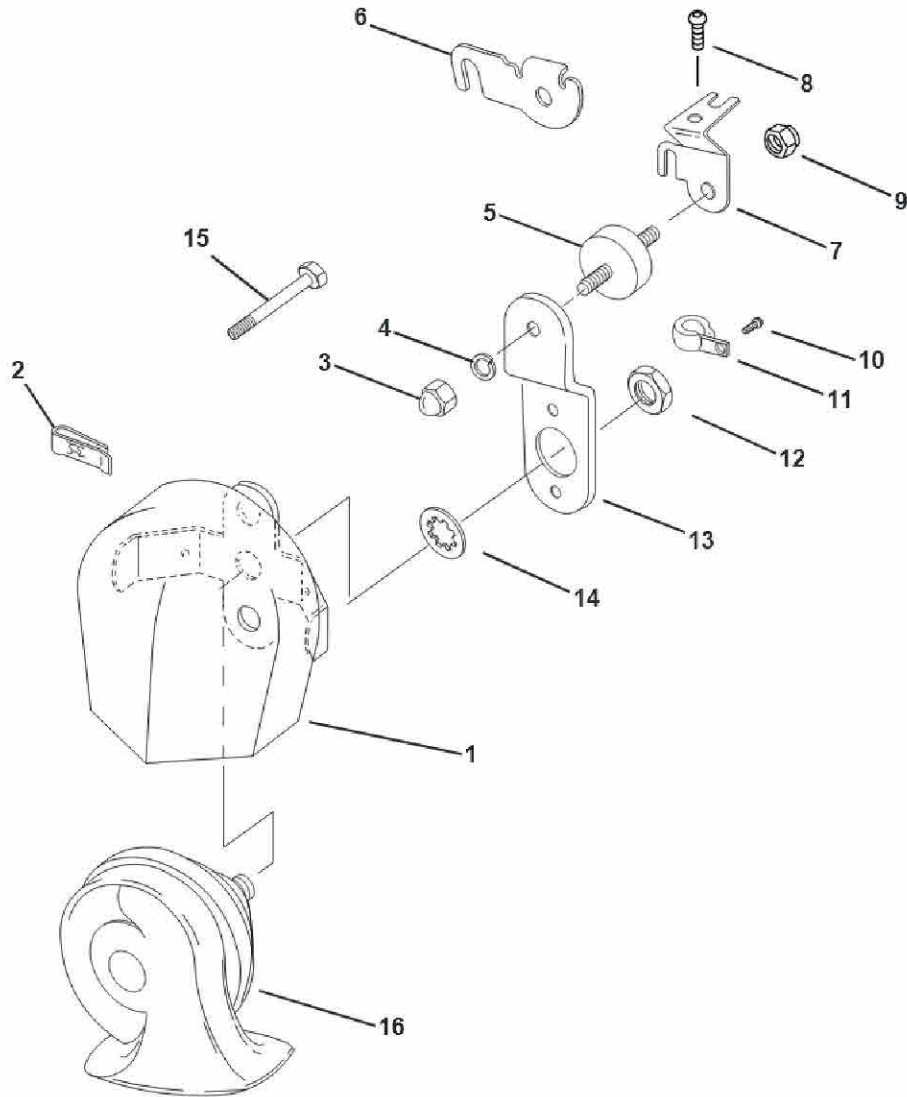
Service Parts

Part No. 69112-95A

Date 3/99

XLH 833 Chrome Horn Kit

sp69112



Item	Part No.	Description	Item	Part No.	Description
1	69012-93A	Horn cover assembly	10	3588	Screw
2	8108	Clip nut, horn mount	11	69062-91A	Horn wire clip
3	7527	Acorn nut	12	7495	Nut, hex, metric
4	7041	Lockwasher	13	69120-91	Horn bracket
5	69123-92	Rubber mount	14	7127	Lockwasher, internal tooth
6	69035-95	Enrichener bracket, 1995 and later models only	15	4116	Bolt, front fuel tank mount, 5/16-18 x 3-5/8 in., 1993 and later models
7	69027-92	Enrichener bracket, 1992-1994 models only		4086	Bolt, front fuel tank mount, 5/16-18 x 3 in., 1992 models
8	2916	Screw, button head 1992-1994 models only	16	69060-90D	Horn assembly
9	7531	Locknut		10081	Cable strap (not shown)