



# INSTRUCTIONS

-J00440

REV. 4-1-95

Kit Number 69060-90C

## HORN KIT

### General

This kit is designed for installation on all 1991 and later model motorcycles, except XLH 883 models.

QTY	DESCRIPTION
1	Horn, with mounting nut
1	Washer, stepped
1	Spacer nut

#### NOTE

The only "sold separate" or Service Part in this kit is the horn mounting nut, Part No. 7495, item (1) in Figure.

### Installation

#### ⚠WARNING

To avoid accidental start-up of vehicle and possible personal injury, disconnect the battery cables (negative cable first) before performing any of the following procedures.

#### NOTE

Use the hex nut, Part No. 7495, provided with new horn, except when installing horn on 1994 Dyna models or 1991 - 1993 Dyna models retrofitted with 1994 style battery tray. Follow procedure "USING SPACER NUT" to install horn on the aforementioned Dyna models.

#### USING SPACER NUT (for Dyna models specified in NOTE above only)

1. Remove seat and disconnect wires from horn.
2. See Figure. Remove stock horn nut (1), spacer (4) and horn (3). Discard all three items.
3. Install horn mounting stud through grommet (5) in horn mounting bracket. Apply 1-2 drops of Loctite 271 (red) onto threads of spacer nut (6). Install spacer nut onto horn mounting stud and tighten to 100 - 120 in-lbs torque.

#### ⚠CAUTION

Over-tightening or under-tightening the horn spacer nut may affect tone of horn.

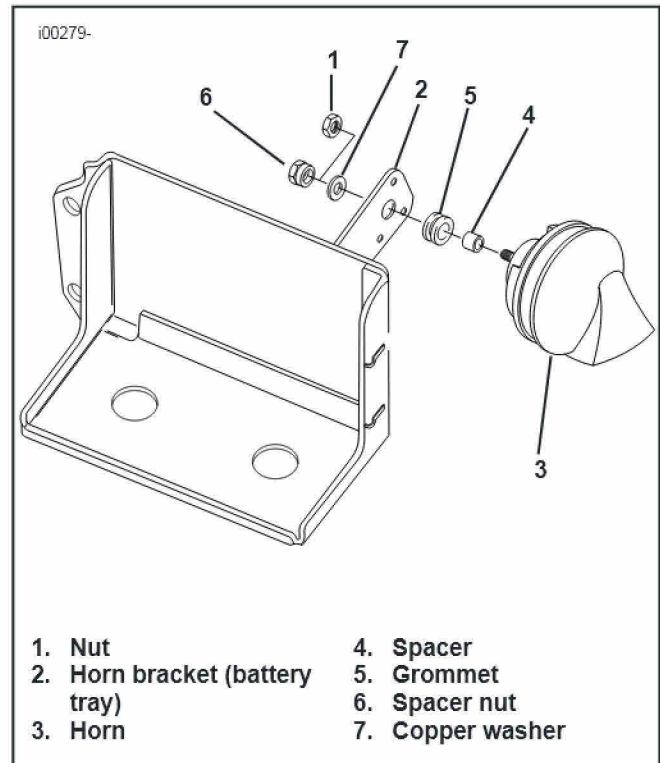


Figure. 1994 Dyna Model Horn

4. Connect wires to terminals and check for proper horn function.

#### NOTE

Horn is not polarity sensitive. Ground and power wire may be connected to either terminal.

#### USING STEP WASHER

The step washer included in the kit is only needed when the horn bracket mounting hole is much larger than the horn mounting stud. Use the step washer to center the horn stud in the horn bracket mounting hole.

#### NOTE

Refer to the applicable Service Manual for replacement procedures.