



# INSTRUCTIONS

-J00393

REV. 8-1-87

Kit Number 66009-87

## LOW BATTERY INDICATOR

### General

This kit is designed for use on all vehicles with a single 12 volt battery system.

The indicator light will alert you if your battery, alternator, generator or voltage regulator is not functioning adequately. The indicator light may light up at idle (particularly Sportster).

The kit contains the following parts:

QTY	DESCRIPTION
1	Ring terminal (small)
2	Ring terminal (large)
12	Cable strap (black)
3	Cable strap (white)
1	Bracket, indicator light mounting
1	Indicator light assy..
1	Module assembly
1	Connector electrical

#### NOTE

Indicator light can be mounted in fairing, gauge housing or handlebar depending on vehicle.

### Installation

1. See Figure 1. Position indicator light in mounting bracket from kit. Secure from back of bracket with speed nut on indicator light body. Secure mounting bracket to a convenient location on handlebar with cable strap. Pull tight with pliers and trim end.

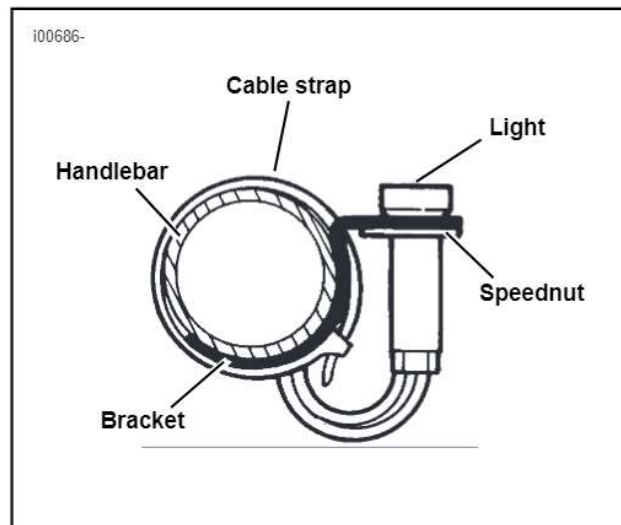


Figure 1. Handlebar Mounting

2. Indicator light can be mounted in gauge housing or fairing, if applicable, by drilling a 5/16 in. hole in desired location (make sure sufficient clearance exists behind gauge housing or fairing, at chosen location, to accommodate indicator light body). Place indicator light in hole. Secure with speed nut from back of mount.
3. Encase wire leads from indicator light at handlebar and front fork with conduit if necessary. Route wire under fuel tank along frame to battery and switch area.

#### CAUTION

Disconnect battery, negative cable first, before doing any wiring connections. Failure to disconnect battery may cause component or electrical system damage.

4. See Figure 2. Route and connect wire leads from indicator light and module as shown. Ignition switch lead connects to "ON" terminal of switch. Terminate wire ends with appropriate connectors (large connectors to battery leads, small connector to ignition switch). Use Scotch-lock style connector to join brown wire lead from module with a lead from indicator light.
5. Secure module and wires to frame with cable straps at a location near battery.

#### CAUTION

Do not route wires on or near moving parts, hot parts, or parts with sharp edges. This could cause damage to wire insulation and result in a short circuit.

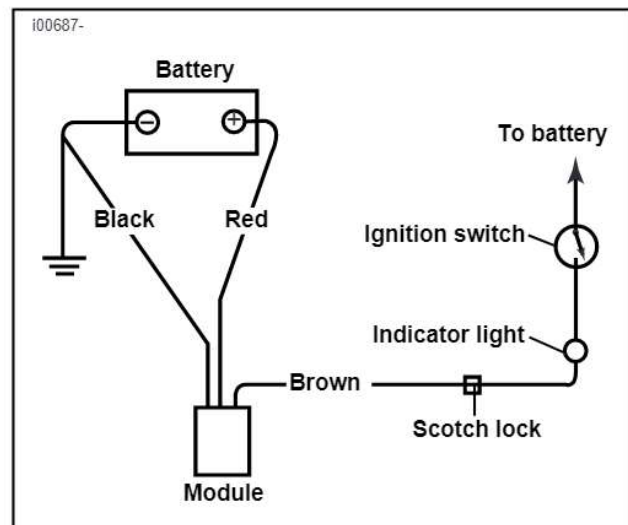


Figure 2. Wiring diagram