



INSTRUCTIONS

-J00390

REV. 11-1-91

Kit Number 65599-80D

MUFFLER SUPPORT KIT

General

This Muffler Support Kit is designed for installation on 1980 and later XL model vehicles. The kit includes the following components:

QTY	DESCRIPTION
1	Bolt, carriage
1	Support assembly, rear muffler
2	Screws, hex flange

The muffler support included in this kit is of the same style as the original equipment muffler support on 1992 and later XL model vehicles. On these models, a carriage bolt is inserted through a square hole on the inboard side of the muffler support, through a hole in the muffler bracket, and through a flat washer. A locknut is installed on the end of the carriage bolt to secure the components together. This fastener arrangement is used to provide additional clearance between the bolt head and the debris deflector on belt drive vehicles.

On 1980 - 1990 XL models, a hex head bolt was inserted through a flat washer, through a hole on the outboard side of the muffler bracket, and through a round hole in the muffler support. A locknut was installed on the end of the hex head bolt to secure the components together.

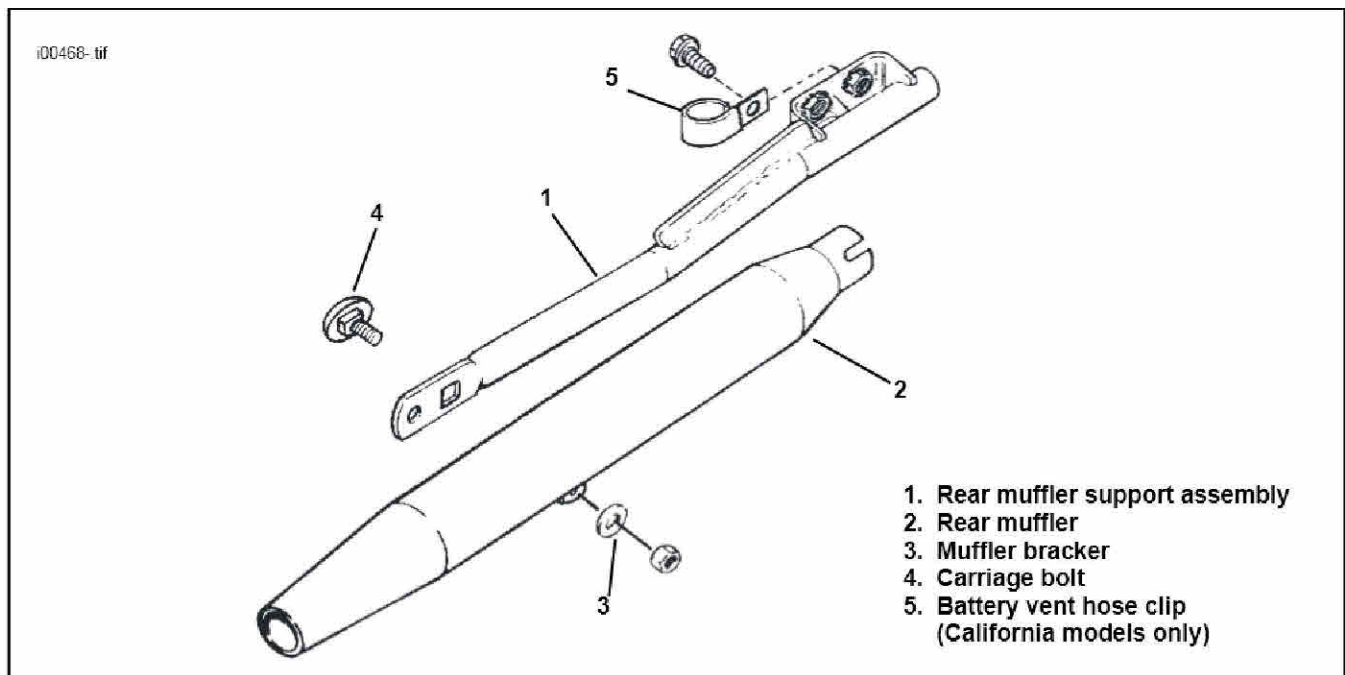
Regardless of the model year of vehicle, the new style muffler support in this kit is to be installed in the same way as the original equipment on 1992 and later XL models.

Installation

⚠WARNING

Exhaust system components remain hot for a long period of time after the engine has been turned off. Wait until the mufflers and exhaust pipes have cooled off before proceeding with this installation. Personal injury may result if clothing or skin contacts hot surfaces of exhaust system components.

1. Remove original muffler support from rear muffler and motorcycle frame. Discard original muffler support, mounting bolts and nuts and one bolt used to attach rear muffler to muffler support.
2. See illustration. Position new muffler support to motorcycle frame. Secure to frame using two flange type screws supplied in kit. The new bracket has weld nuts located at the mounting area to accept new flange bolts. Tighten bolts to 33 ft-lbs torque. (On late 1989 and later California models only, install battery vent hose clip under muffler support front mounting bolt; insert battery vent hose into mounting clip loop.)
3. Insert carriage bolt from kit through square hole on inboard side of muffler support, through muffler bracket hole, and through original flat washer. Install original locknut on end of carriage bolt. Verify that square section of carriage bolt head is properly inserted into square hole of muffler support. Tighten locknut to 19 ft-lbs.
4. On belt drive models, inspect new muffler support for adequate clearance between carriage bolt head and debris deflector.



Rear Muffler Support Assembly - Installed

