



INSTRUCTIONS

-J00362

REV. 10-1-92

Kit Number 61314-92

XL FUEL TANK MOUNTING KIT

General

This kit is designed for installation on all 1982 - 1992 XL model vehicles.

QTY	DESCRIPTION
-----	-------------

1	Screw, hex cap, 4-3/8 in.
1	Screw, hex cap, 3-5/8 in.
1	Screw, hex cap, 3-1/8 in.
4	Spacer
2	Washer
4	Grommet
1	Bracket, coil mounting

NOTE

Bolts included in this kit are longer than original bolts that will be removed in disassembly of original tank. Use bolts included with kit for reinstallation, as original bolts will be too short for proper installation.

⚠WARNING

Gasoline is extremely flammable and highly explosive under certain conditions. Do not smoke or allow open flame or sparks anywhere in the area when refueling or servicing the fuel system.

Installation

1. Remove existing fuel tank following instructions in appropriate Service Manual.
2. Remove and discard original front and rear mounting bolts and coil mounting bracket from existing assembly. Save all other mounting hardware.
3. Reinstall new coil mounting bracket included with kit using existing hardware.

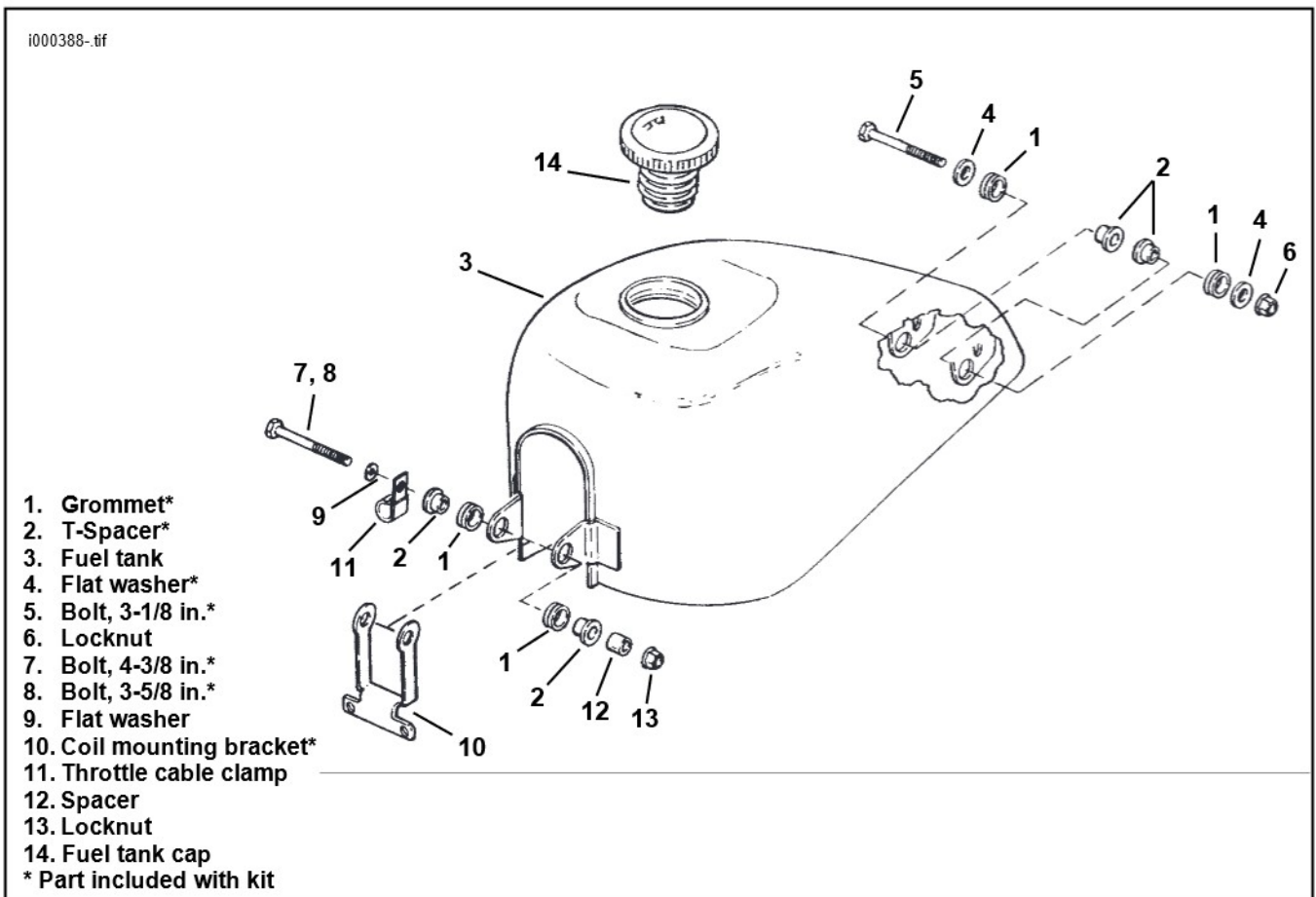


Figure 1. Fuel Tank Mounting Kit Assembly

Assembly- Hardware to Fuel Tank

1. See Figure 1. Install grommets (1) included with kit into fuel tank mounting holes.
2. **In the front fuel tank mount position**, slide two of the four T-spacers (2) included with kit into grommets (1) from the outside of the bracket, as shown.

In the rear fuel tank mount position, slide the two remaining T-spacers (2) from kit into grommets (1) from inside of the bracket, as shown.
3. Position new fuel tank (3) onto frame.
4. At rear mount, slide one flat washer (4) from kit onto 3-1/8 in. bolt (5) included with kit.
5. Slide bolt (5) through frame and through rear fuel tank mount holes.
6. Assemble remaining flat washer (4) from kit over end of bolt (5). Secure assembly with original locknut (6). Tighten finger tight.

Assembly- Front Mount Position for 883's with Horn Mounted at Fuel Tank

1. See Figure 1. Locate 4-3/8 in. bolt (7) from kit. Install original flat washer (9) onto bolt (7).

2. Slide coil mounting bracket (10) into position between frame and fuel tank rubber mount.
3. Insert bolt (7) through throttle cable clamp (11) fuel tank mount, coil mounting bracket (10) and frame.
4. Assemble existing spacer (12) over end of bolt (7). Install horn bracket (not shown) over bolt (7). Secure with existing locknut (13) and tighten securely.
5. Tighten bolt (5) and locknut (6) at rear tank position securely.

Assembly- Front Mount Position for 883, 1200 and 1100 Models with Horn Mounted at Ignition Switch Bracket

1. See Figure 1. Locate 3-5/8 in. bolt (8) in kit. Install original flat washer (9) on bolt (8).
2. Slide coil mounting bracket (10) into position between frame and fuel tank rubber mount.
3. Insert bolt (8) through throttle cable clamp (9), fuel tank mount, coil mounting bracket (10) and frame.
4. Install locknut (13) onto bolt (8). Tighten front and rear bolts securely.